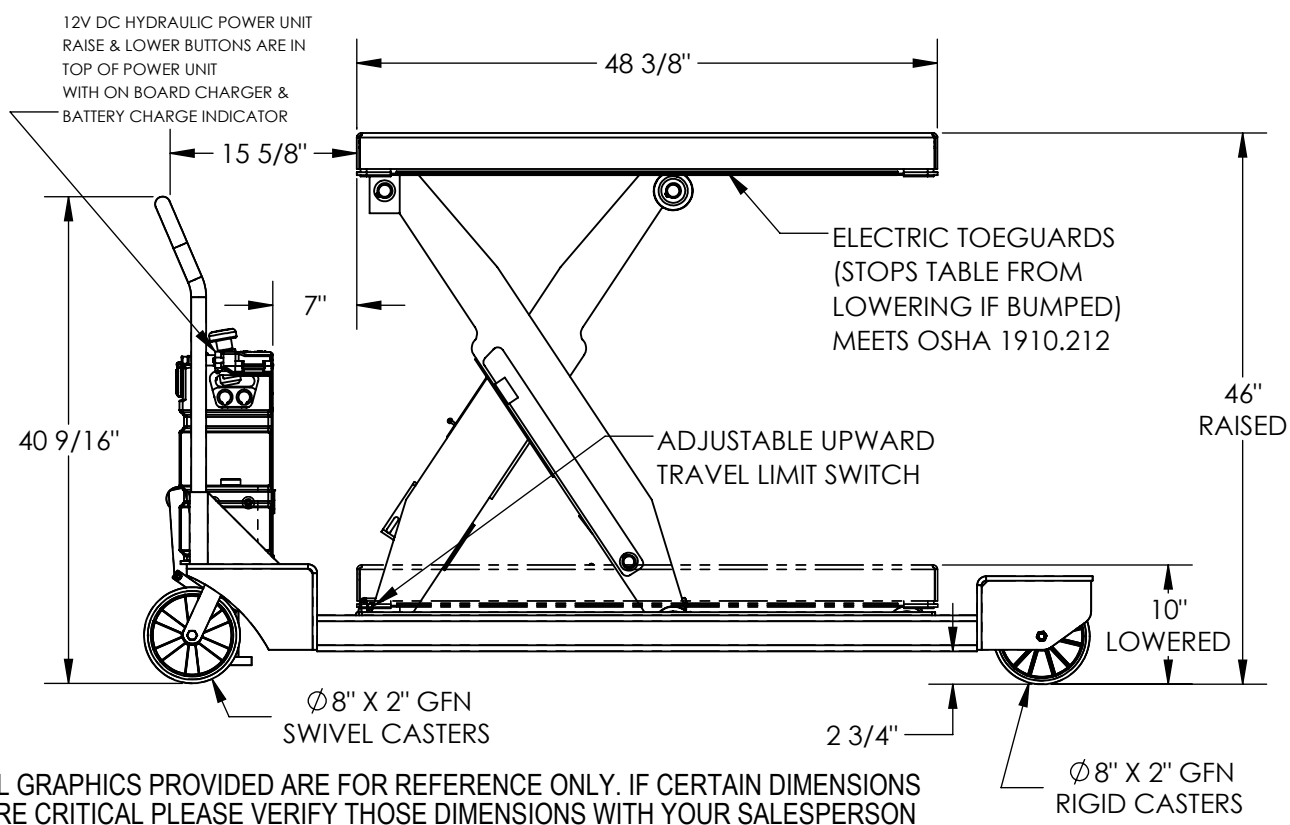
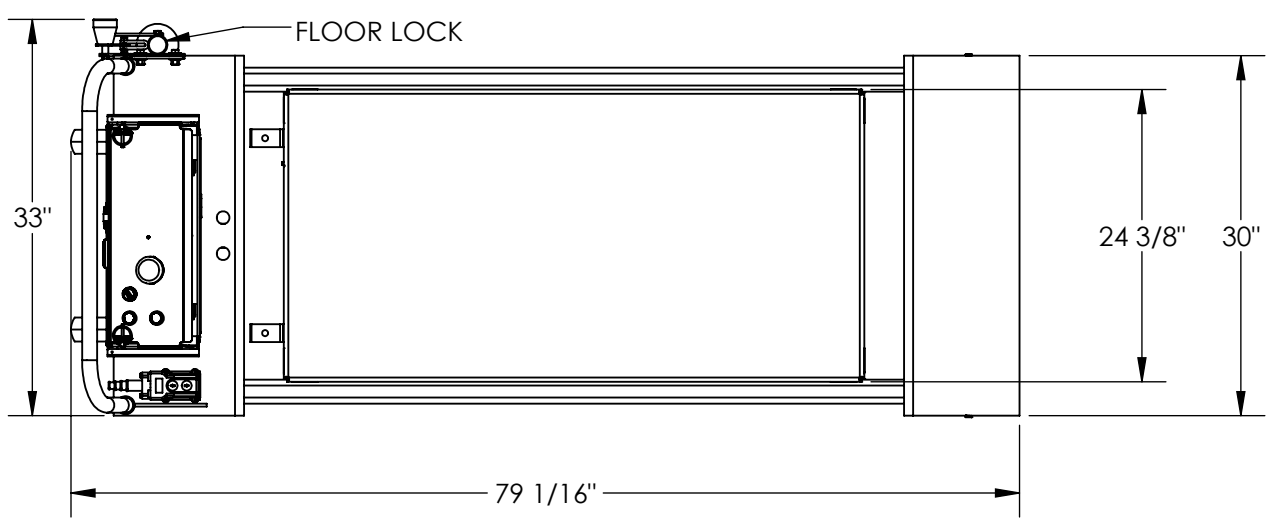


# PORTABLE SCISSOR TABLE - PST-2448-1-46 APPROX WEIGHT: 860.81 lbs. DOES NOT INCLUDE WEIGHT OF POWER OR PACKAGING!!!

\*\*\*ANY ADDITIONS, DELETIONS, OR OMISSIONS MUST BE CORRECTED ON THIS DRAWING AS THIS DRAWING WILL BE CONSIDERED ALL INCLUSIVE\*\*\*



ALL GRAPHICS PROVIDED ARE FOR REFERENCE ONLY. IF CERTAIN DIMENSIONS ARE CRITICAL PLEASE VERIFY THOSE DIMENSIONS WITH YOUR SALESPERSON  
 DIMENSION TOLERANCE ± 1/2"  
 TABLE HEIGHT TOLERANCE ± 1/2"  
 DECK FLATNESS ± 1/4"

## STANDARD FEATURES

- MODEL NUMBER: PST-2448-1-46
- CAPACITY: 1,000 LBS
- PLATFORM WIDTH: 24 3/8"
- PLATFORM LENGTH: 48 3/8"
- PLATFORM LOWERED HEIGHT: 10"
- PLATFORM RAISED HEIGHT: 46"
- OVERALL WIDTH: 33"
- OVERALL LENGTH: 79 1/16"
- GROUND CLEARANCE: 2 3/4"
- CASTERS: (2) Ø8" X 2" GFN SWIVEL  
(2) Ø8" X 2" GFN RIGID
- 12V DC POWER UNIT W/ ON-BOARD CHARGER & BATTERY CHARGE INDICATOR
- DURABLE LIQUID PAINT BLUE FINISH

## SPECIAL FEATURES

NONE

**APPROVAL**

I, THE UNDERSIGNED, AGREE THAT THE PRODUCT AS REPRESENTED SATISFIES DESIGN AND DIMENSION REQUIREMENTS. I ALSO ACKNOWLEDGE MY DUTY TO CONFIRM PRODUCT AND INSTALLATION COMPLIANCE WITH ALL APPLICABLE FEDERAL, STATE AND LOCAL REGULATIONS AND STANDARDS.

**UNITS REQUIRING APPROVAL DRAWINGS OR MODIFIED ARE NON-RETURNABLE**

[ ] As drawn [ ] As marked

Signed: \_\_\_\_\_ Date: \_\_\_\_\_

Printed Name: \_\_\_\_\_

**LEAD TIME WILL START UPON RECEIPT OF SIGNED APPROVAL DRAWING**

DISTRIBUTOR'S NAME:		P.O.#
<b>VESTIL MANUFACTURING</b>		X
DRAWN BY: KGH		DATE: 5/8/2018
REFERENCE: X		SCALE: 1:16
QUOTED LEAD TIME: X	QUOTE # X	SALES: X
		FILE NAME: 01-007-377