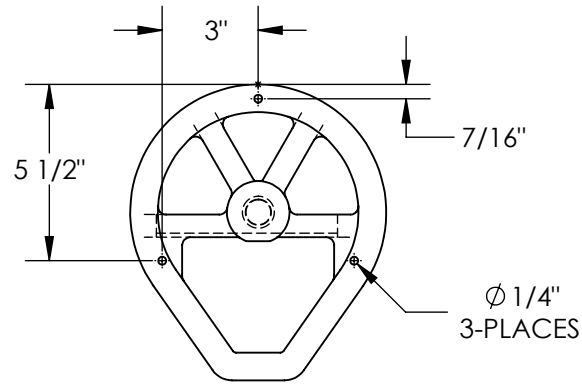
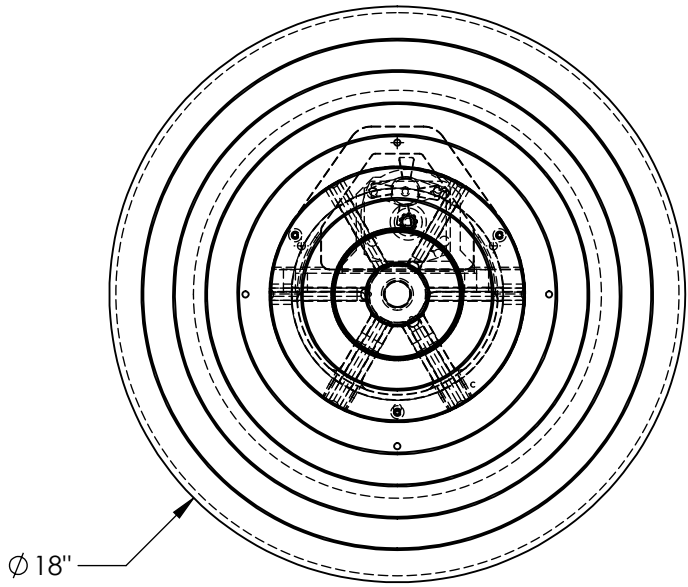


POWERED TURNTABLE - PT-250

APPROX WEIGHT: 60.58 lbs.
 DOES NOT INCLUDE WEIGHT OF POWER OR PACKAGING!!!

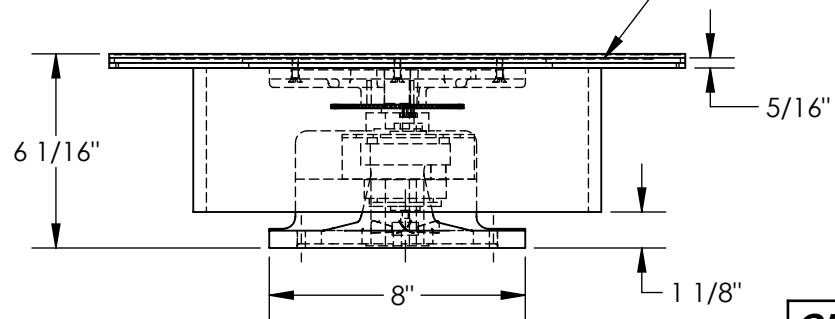
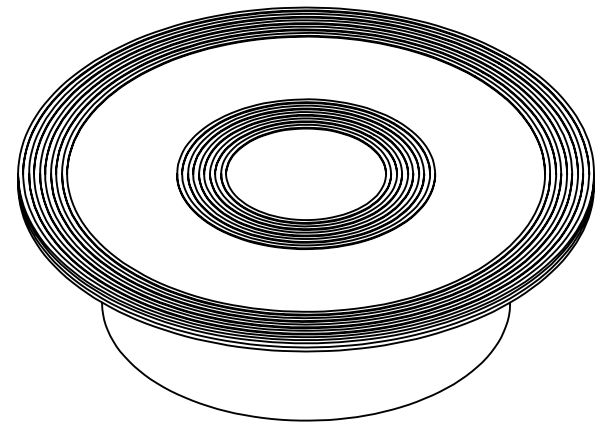
*** ANY ADDITIONS, DELETIONS, OR OMISSIONS MUST BE CORRECTED ON THIS DRAWING AS THIS DRAWING WILL BE CONSIDERED ALL INCLUSIVE ***

ALL GRAPHICS PROVIDED ARE FOR REFERENCE ONLY. IF CERTAIN DIMENSIONS ARE CRITICAL PLEASE VERIFY THOSE DIMENSIONS WITH YOUR SALESPERSON



BASEPLATE
 BOTTOM VIEW

NOTE:
 -DO NOT STAND OR SIT ON UNIT
 -MAXIMUM CAPACITY IS 250 LBS.
 EVENLY DISTRIBUTED AND BALANCED;
 NO OFFSET OR CANTILEVER LOADING.
 -MAX. LOAD SIZE IS Ø24" x 36"H
 -VARIABLE SPEED ROTATION NOT AVAILABLE
 -UNIT TO BE FASTENED TO A FLAT, LEVEL SURFACE



FRICION DRIVE; REQUIRES A WEIGHTED
 LOAD FOR ROTATION; TOP DECK RESTS
 ON SHAFT, DECK IS NOT FIXED TO
 DRIVE OUTPUT SHAFT

DIMENSION TOLERANCE ± 1/4"

STANDARD FEATURES

MODEL NUMBER IS PT-250
 UNIFORM CAPACITY IS 250 LBS.
 DIAMETER IS Ø18"
 OVERALL HEIGHT IS 6 1/16"
 3 RPM, CLOCKWISE ROTATION
 115V SINGLE PHASE POWER SUPPLY

SPECIAL FEATURES

NONE

OPTIONAL FEATURES:
 (AVAILABLE AT ADDITIONAL COSTS)
 *PT-1/2RPM: 1 OR 2 R.P.M. OPTION
 *PT-CCW: COUNTER CLOCKWISE
 ROTATION OPTION

| | | |
|---|--|-------------|
| APPROVAL | I, THE UNDERSIGNED, AGREE THAT THE PRODUCT AS REPRESENTED SATISFIES DESIGN AND DIMENSION REQUIREMENTS. I ALSO ACKNOWLEDGE MY DUTY TO CONFIRM PRODUCT AND INSTALLATION COMPLIANCE WITH ALL APPLICABLE FEDERAL, STATE AND LOCAL REGULATIONS AND STANDARDS. | |
| | ANY MODIFIED UNITS ARE NON-RETURNABLE | |
| | [] As drawn [] As marked | |
| | Signed: _____ | Date: _____ |
| Printed Name: _____ | | |
| LEAD TIME WILL START UPON RECEIPT OF SIGNED APPROVAL DRAWING | | |

| | |
|---|--|
| FOR INTERNAL USE ONLY PROJECT SIGN OFF | |
| SALES | |
| ENG. | |
| FAB. | |
| POWER | |

| | | |
|----------------------|----------------|------------|
| DISTRIBUTOR'S NAME: | | P.O.# |
| VESTIL MANUFACTURING | | X |
| DRAWN BY: TJM | DATE: 06/11/18 | W.O.# |
| REFERENCE: X | SCALE: 1:6 | X |
| QUOTED LEAD TIME: X | QUOTE # | FILE NAME: |
| | X | 20-007-045 |