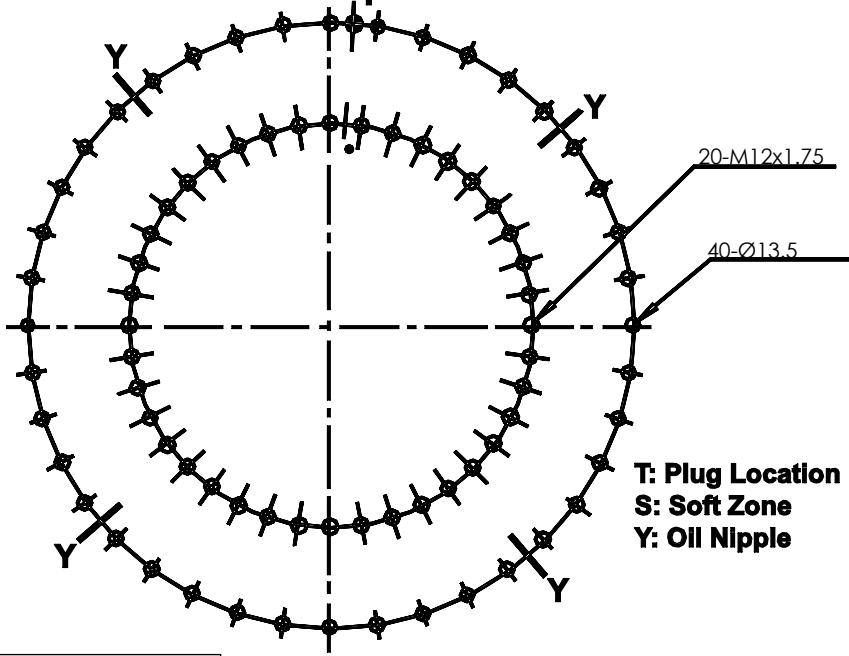
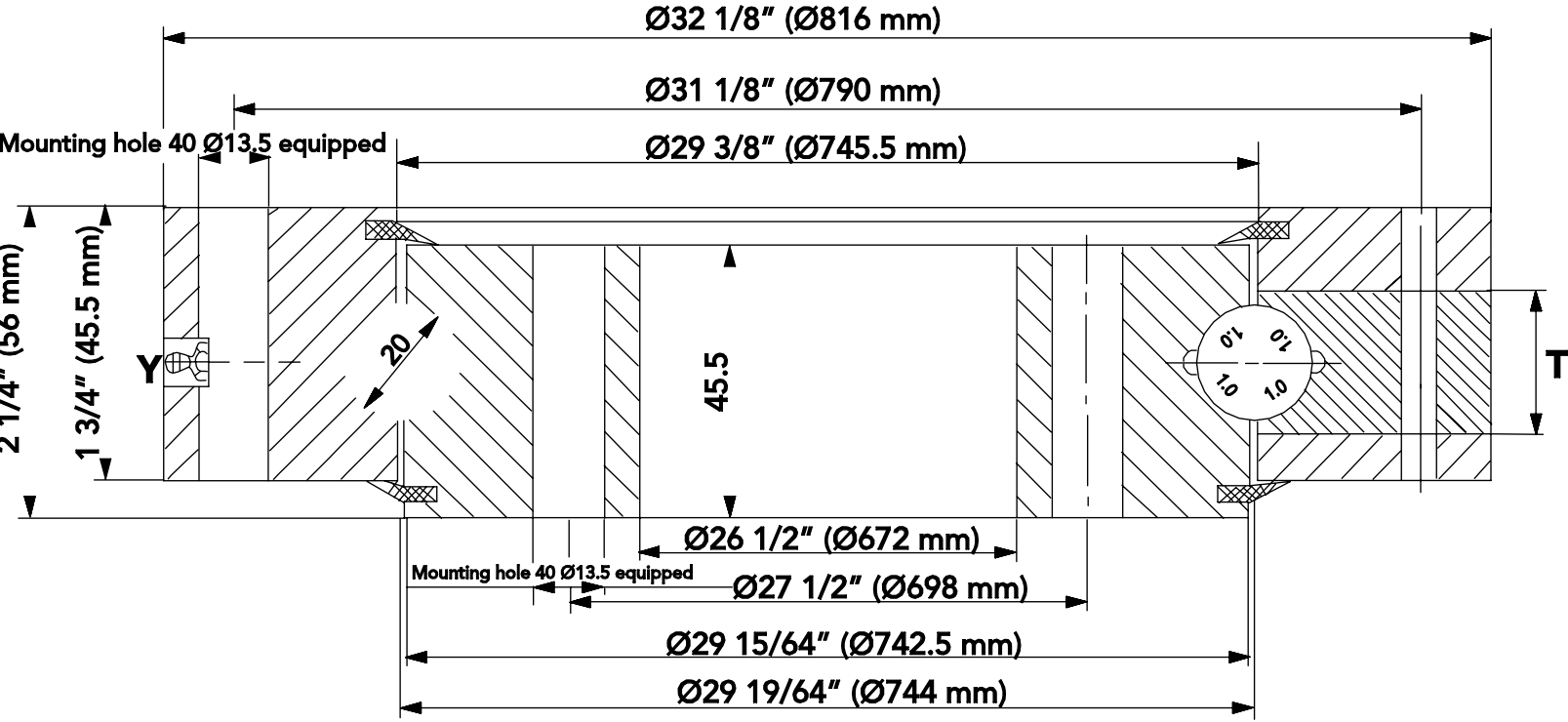


HEAVY DUTY PRECISION TURRET BEARING - PTB-32

APPROX WEIGHT: 152 lbs.
DOES NOT INCLUDE WEIGHT OF POWER OR PACKAGING!!!

ANY ADDITIONS, DELETIONS, OR OMISSIONS MUST BE CORRECTED ON THIS DRAWING AS THIS DRAWING WILL BE CONSIDERED ALL INCLUSIVE



STANDARD FEATURES

- MODEL# PTB-32
- DIAMETER: $32 \frac{1}{8}"$
- HEIGHT: $2 \frac{1}{4}"$
- CAPACITY: 6000 LBS
- LOW PROFILE DESIGN
- SUPERIOR PLATED FINISH FOR CORROSION RESISTANCE
- GREASE-ABLE POINTS FOR SIMPLE MAINTENANCE
- SHIELDED BEARINGS TO PROTECT DEBRIS AND RETAIN GREASE
- MULTIPLE BOLT LOCATIONS FOR MOUNTING
- CAPTURED BALL BEARING DESIGN PREVENTS RINGS FROM SEPARATING

ALL GRAPHICS PROVIDED ARE FOR REFERENCE ONLY. IF CERTAIN DIMENSIONS ARE CRITICAL PLEASE VERIFY THOSE DIMENSIONS WITH YOUR SALESPERSON

FOR INTERNAL USE ONLY PROJECT SIGN OFF	
SALES	
ENG.	
FAB.	
POWER	

DIMENSION TOLERANCE: $\pm 1/2"$

I, THE UNDERSIGNED, AGREE THAT THE PRODUCT AS REPRESENTED SATISFIES DESIGN AND DIMENSION REQUIREMENTS. I ALSO ACKNOWLEDGE MY DUTY TO CONFIRM PRODUCT AND INSTALLATION COMPLIANCE WITH ALL APPLICABLE FEDERAL, STATE AND LOCAL REGULATIONS AND STANDARDS.
UNITS REQUIRING APPROVAL DRAWINGS OR MODIFIED ARE NON-RETURNABLE

APPROVAL

Signed: _____ Date: _____

Printed Name: _____

LEAD TIME WILL START UPON RECEIPT OF SIGNED APPROVAL DRAWING

DISTRIBUTOR'S NAME:		P.O.#
VESTIL MANUFACTURING		X
DRAWN BY: SJA		W.O.#
DATE: 1/12/2016		X
REFERENCE: X	SCALE: 1:2	SALES: X
QUOTED LEAD TIME: X	QUOTE #	FILE NAME:
	X	PTB-32