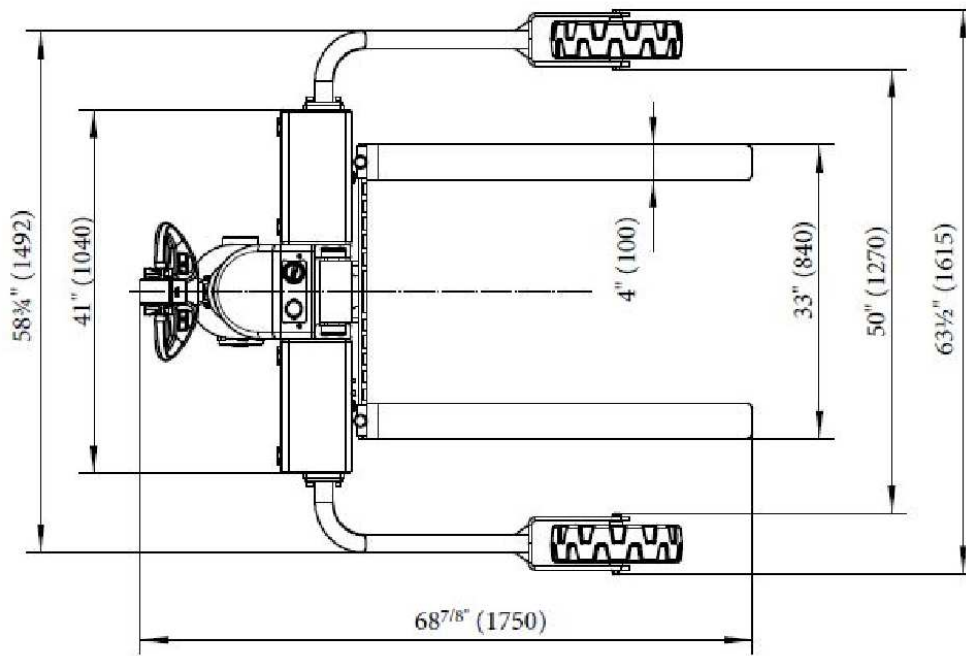
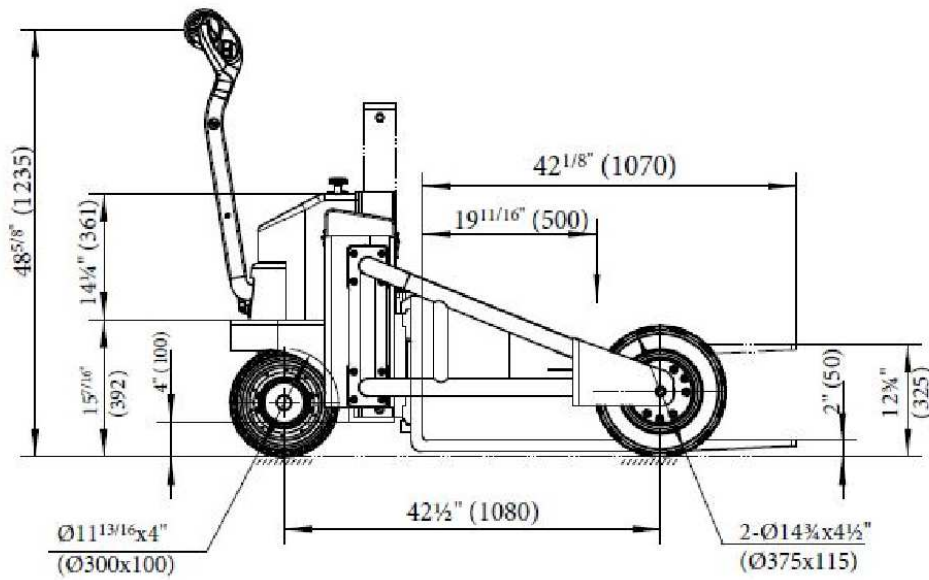


FULLY POWERED ROUGH TERRAIN TRUCK - RT-EPT-2-48

APPROX WEIGHT: lbs.
DOES NOT INCLUDE WEIGHT OF POWER OR PACKAGING!!!

ANY ADDITIONS, DELETIONS, OR OMISSIONS MUST BE CORRECTED ON THIS DRAWING AS THIS DRAWING WILL BE CONSIDERED ALL INCLUSIVE



ALL GRAPHICS PROVIDED ARE FOR REFERENCE ONLY. IF CERTAIN DIMENSIONS ARE CRITICAL PLEASE VERIFY THOSE DIMENSIONS WITH YOUR SALESPERSON

STANDARD FEATURES:

- Model Number: RT-EPT-2-48
- Capacity: 2,000 lbs (1,360 kgs.)
- Lift Height: 12 3/4" (325)
- Lowered Height: 21/8" (50)
- Drive Motor: AC16/0.75kw
- Lift Motor: 24V/0.8KW
- Battery: 2x12V/85-95Ah
- Battery Charger: 24V/12amp
- Lift Speed: 1/2"/s
- Travel Speed w/o load: 2.3m/h
- Travel speed w/load: 1.8 m/h

APPROVAL

I, THE UNDERSIGNED, AGREE THAT THE PRODUCT AS REPRESENTED SATISFIES DESIGN AND DIMENSION REQUIREMENTS. I ALSO ACKNOWLEDGE MY DUTY TO CONFIRM PRODUCT AND INSTALLATION COMPLIANCE WITH ALL APPLICABLE FEDERAL, STATE AND LOCAL REGULATIONS AND STANDARDS.
UNITS REQUIRING APPROVAL DRAWINGS OR MODIFIED ARE NON-RETURNABLE
[] As drawn [] As marked

Signed: _____ Date: _____

Printed Name: _____

LEAD TIME WILL START UPON RECEIPT OF SIGNED APPROVAL DRAWING

DISTRIBUTOR'S NAME:		P.O.#
VESTIL MANUFACTURING		X
		W.O.#
DRAWN BY: TAL		X
DATE: 9/21/2023		SALES: X
REFERENCE: X	SCALE: 1:4	FILE NAME:
QUOTED LEAD TIME: X	QUOTE # X	RT-EPT-2-48