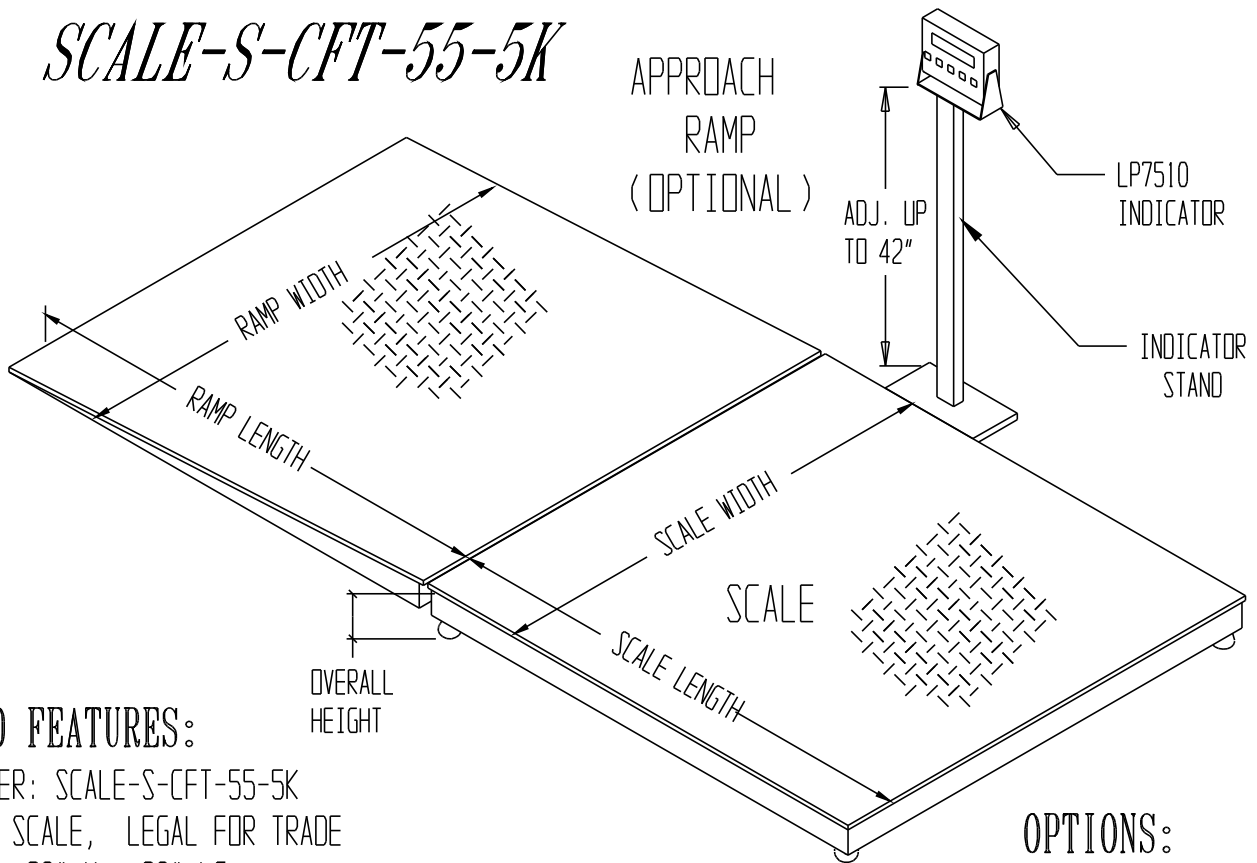


ELECTRONIC DIGITAL FLOOR SCALE, LEGAL FOR TRADE SCALE-S-CFT-55-5K

IT IS THE END-USER'S RESPONSIBILITY TO COMPLY WITH ALL LOCAL, STATE AND FEDERAL LAWS AND REGULATIONS.



STANDARD FEATURES:

MODEL NUMBER: SCALE-S-CFT-55-5K
 NTEP FLOOR SCALE, LEGAL FOR TRADE
 SCALE SIZE: 60" W x 60" LG
 OVERALL HEIGHT- 4 1/2"
 TOP SURFACES ARE TREAD PLATE FOR TRACTION
 4 LEVELING PADS ON SCALE BASE
 CAPACITY- 5,000 LBS.
 INDICATOR: LP7510
 6-DIGIT 0.8" HIGH DISPLAY
 TARE/ZERO/NET IN LB or Kg
 ACCURATE TO 0.1% OF APPLIED LOAD
 1 lb INCREMENT AT 5,000 lb
 FULL DUPLEX RS-232 SERIAL PORT
 OPERATES ON 110 VAC, STANDARD
 CORD FROM SCALE TO INDICATOR
 PEDESTAL STAND ADJ. UP TO 42" TALL
 200% OVERLOAD CAPACITY
 100% END LOAD CAPACITY
 DURABLE LIQUID PAINT BLUE FINISH
 SCALE SHIPPED PRE CALIBRATED

OPTIONS:

- SCALE-R-CS-54 - RAMP, 60" W X 48" LG W/TREAD PLATE
- SCALE-S-CFT-PRINTER - PRINTER
- SCALE-S-PAPER - 10 ROLLS
- THERMAL PRINTER PAPER

Dimension tolerances +/- 1/2"

** Any additions, deletions or omissions must be corrected on this drawing, as this drawing will be considered all inclusive. **
 ** All graphics provided are for reference only. If certain dimensions are critical please verify those dimensions with your salesperson **

FOR INTERNAL USE ONLY
 PROJECT SIGN OFF

SALES	
ENG	
FAB.	
POWER	

A P P R O V A L

I, THE UNDERSIGNED, AGREE THAT THE PRODUCT AS REPRESENTED SATISFIES DESIGN & DIMENSION REQUIREMENTS. I ALSO ACKNOWLEDGE MY DUTY TO CONFIRM PRODUCT & INSTALLATION COMPLIANCE WITH ALL APPLICABLE FEDERAL, STATE AND LOCAL REGULATIONS & STANDARDS.
ANY MODIFIED UNITS ARE NON-RETURNABLE
 () As drawn () As marked

Signed: _____ Date: _____
 Printed Name: _____
 LEAD TIME WILL START UPON RECEIPT OF SIGNED APPROVAL DRAWING

DISTRIBUTOR'S NAME: VESTIL MFG		P.O.#: _
DRAWN BY: _____		W.O.#: _
DATE: _	SALES: _	
REFERENCE: _	SCALE: _	DRWG./FILE NAME: 46-007-016
QUOTED LEADTIME: _	QUOTE #: _	