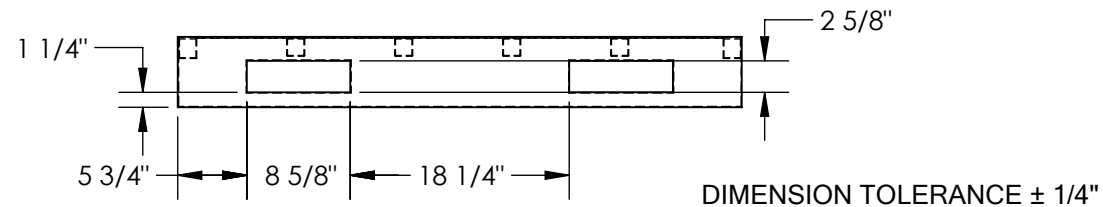
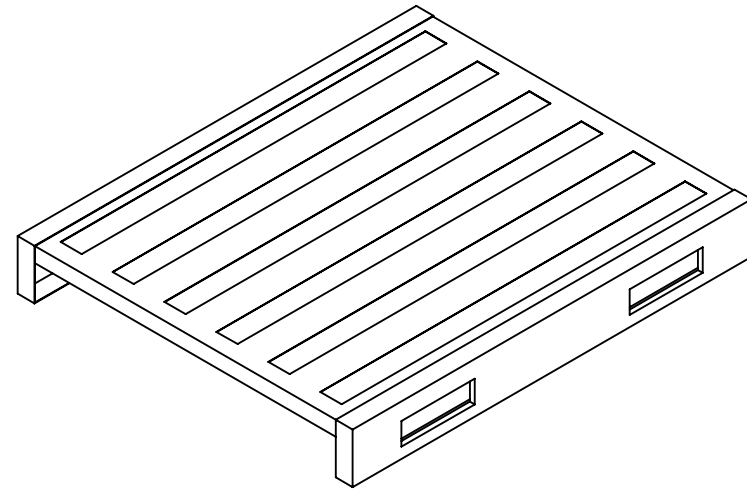
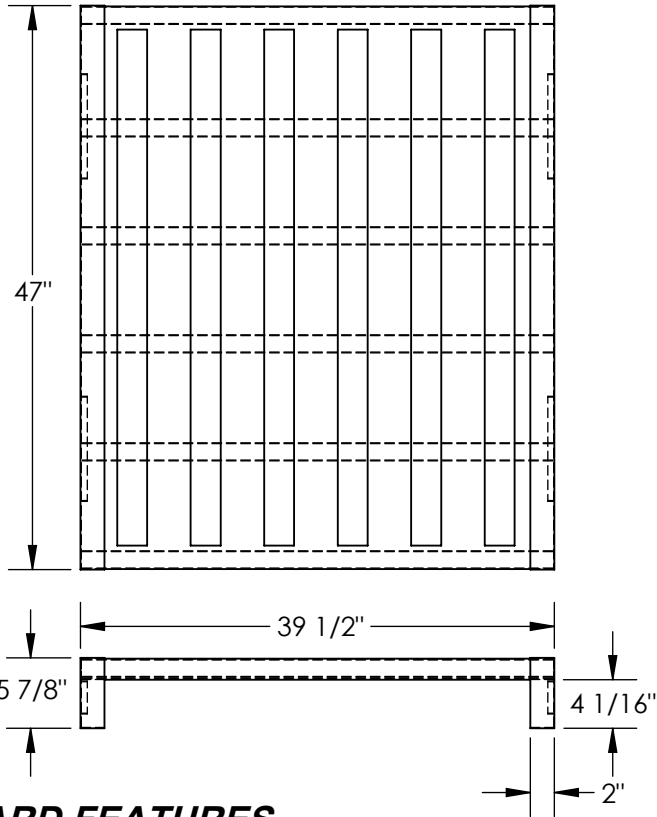


# SOLID STEEL DECK PALLET - SDSP-4048

APPROX WEIGHT: 68 lbs.  
DOES NOT INCLUDE WEIGHT OF POWER OR PACKAGING!!!

\*\*\* ANY ADDITIONS, DELETIONS, OR OMISSIONS MUST BE CORRECTED ON THIS DRAWING AS THIS DRAWING WILL BE CONSIDERED ALL INCLUSIVE \*\*\*

ALL GRAPHICS PROVIDED ARE FOR REFERENCE ONLY. IF CERTAIN DIMENSIONS ARE CRITICAL PLEASE VERIFY THOSE DIMENSIONS WITH YOUR SALESPERSON



DIMENSION TOLERANCE  $\pm 1/4"$

## STANDARD FEATURES

- MODEL NUMBER IS SDSP-4048
- OVERALL WIDTH IS 39 1/2"
- OVERALL LENGTH IS 47"
- OVERALL HEIGHT IS 5 7/8"
- FLOOR (STATIC) WEIGHT CAPACITY: 4,000 LBS
- FORK (DYNAMIC) WEIGHT CAPACITY: 3,500 LBS
- UNSUPPORTED PALLET RACK WEIGHT: 2,500 LBS
- FORK POCK (W X H): 8 5/8" X 2 5/8"
- GALVANIZED FINISH

## SPECIAL FEATURES

NONE

APPROVAL

I, THE UNDERSIGNED, AGREE THAT THE PRODUCT AS REPRESENTED SATISFIES DESIGN AND DIMENSION REQUIREMENTS. I ALSO ACKNOWLEDGE MY DUTY TO CONFIRM PRODUCT AND INSTALLATION COMPLIANCE WITH ALL APPLICABLE FEDERAL, STATE AND LOCAL REGULATIONS AND STANDARDS.

**UNITS REQUIRING APPROVAL DRAWINGS OR MODIFIED ARE NON-RETURNABLE**

As drawn       As marked

Signed: \_\_\_\_\_ Date: \_\_\_\_\_

Printed Name: \_\_\_\_\_

LEAD TIME WILL START UPON RECEIPT OF SIGNED APPROVAL DRAWING

DISTRIBUTOR'S NAME:		P.O.#
VESTIL MANUFACTURING		X
DRAWN BY: TJH		DATE: 04/04/23
REFERENCE: X		SALES: X
QUOTED LEAD TIME: X		SCALE: 1:16
QUOTE # X		FILE NAME: 30-007-1071