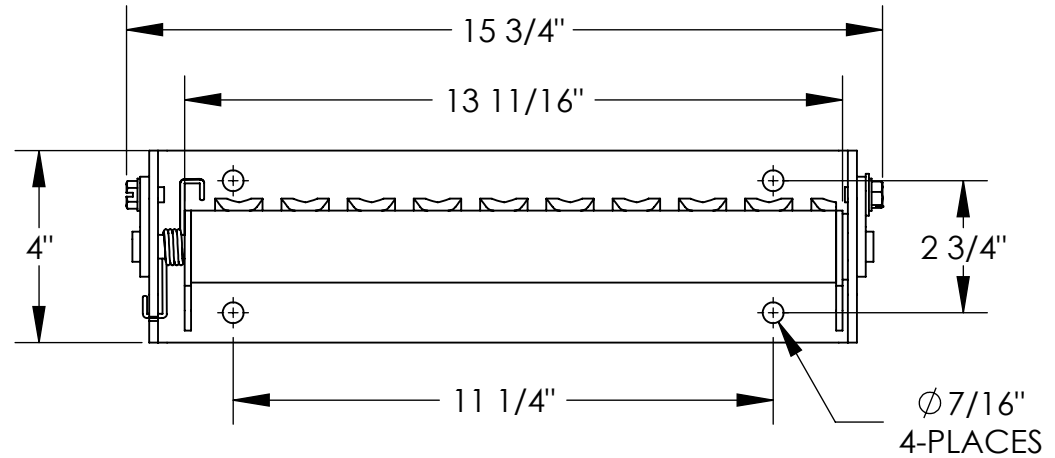
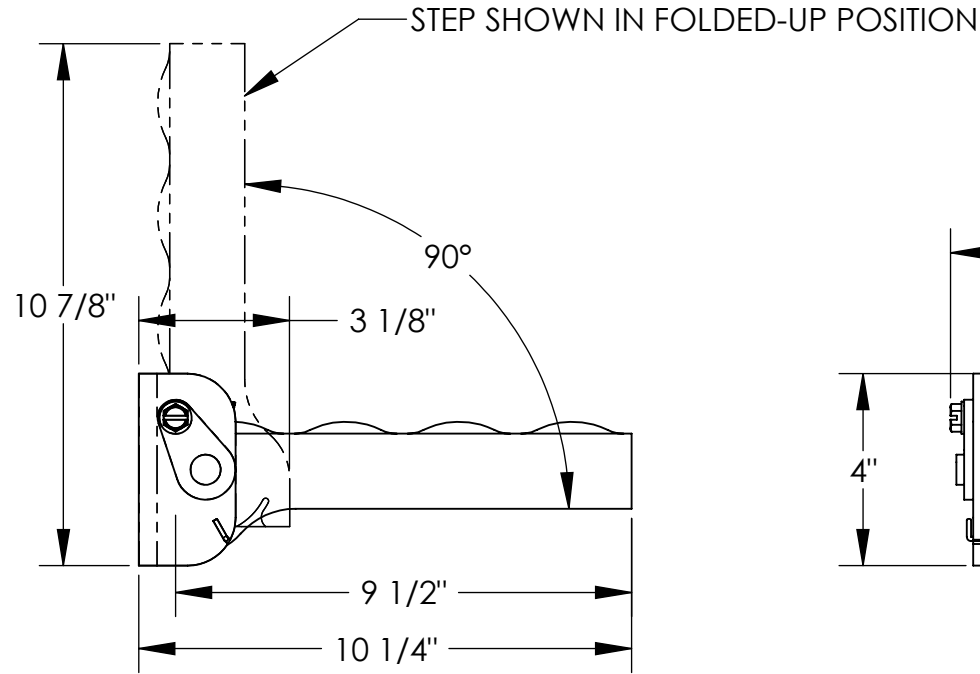


SPRING LOADED STEEL FOLD-UP STEP - SFS-149-SL

APPROX WEIGHT: 11.32 lbs.
 DOES NOT INCLUDE WEIGHT OF POWER OR PACKAGING!!!

*** ANY ADDITIONS, DELETIONS, OR OMISSIONS MUST BE CORRECTED ON THIS DRAWING AS THIS DRAWING WILL BE CONSIDERED ALL INCLUSIVE ***

ALL GRAPHICS PROVIDED ARE FOR REFERENCE ONLY. IF CERTAIN DIMENSIONS ARE CRITICAL PLEASE VERIFY THOSE DIMENSIONS WITH YOUR SALESPERSON



STANDARD FEATURES

- MODEL NUMBER IS SFS-149-SL
- OVERALL WIDTH IS 15 3/4"
- STEP WIDTH IS 13 11/16"
- OVERALL LENGTH IS 10 1/4"
- STEP DEPTH IS 9 1/2"
- OVERALL HEIGHT IS 4"
- FOLDED HEIGHT 10 7/8"
- FOLDED WIDTH 3 1/8"
- TOUGH BAKED IN POWDER COATED BLUE FINISH
- MAX LOAD 350 LBS EVENLY DISTRIBUTED
- **AUTOMATICALLY RETURNS IN UP POSITION**

SPECIAL FEATURES

NONE

DIMENSION TOLERANCE ± 1/4"

I, THE UNDERSIGNED, AGREE THAT THE PRODUCT AS REPRESENTED SATISFIES DESIGN AND DIMENSION REQUIREMENTS. I ALSO ACKNOWLEDGE MY DUTY TO CONFIRM PRODUCT AND INSTALLATION COMPLIANCE WITH ALL APPLICABLE FEDERAL, STATE AND LOCAL REGULATIONS AND STANDARDS.
UNITS REQUIRING APPROVAL DRAWINGS OR MODIFIED ARE NON-RETURNABLE
 As drawn As marked

APPROVAL

Signed: _____ Date: _____

Printed Name: _____

LEAD TIME WILL START UPON RECEIPT OF SIGNED APPROVAL DRAWING

DISTRIBUTOR'S NAME:		P.O.#
VESTIL MANUFACTURING		X
DRAWN BY: F.S.		W.O.#
DATE: 04/18/14		X
REFERENCE: X	SCALE: 1:4	SALES: X
QUOTED LEAD TIME: X	QUOTE #	FILE NAME:
	X	23-007-259