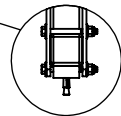
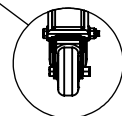
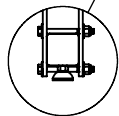
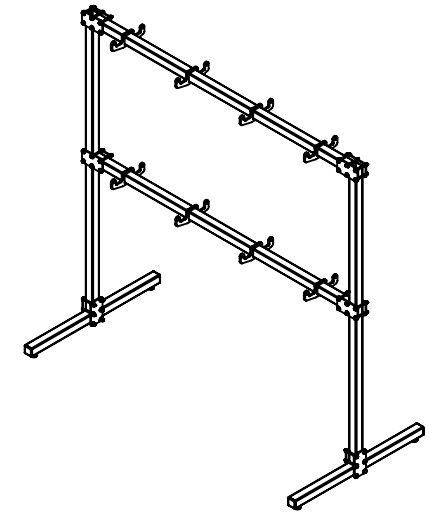
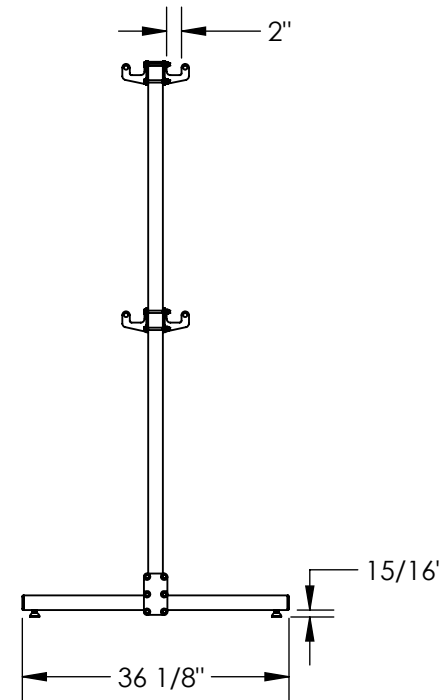
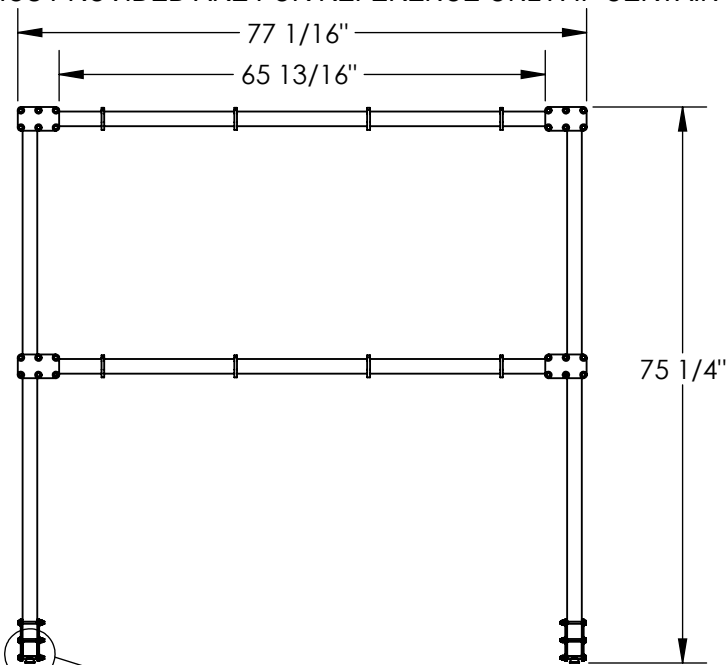


GANTRY SLING RACK UNIVERSAL - SLR-UM-6

APPROX WEIGHT: 119.24 lbs.
DOES NOT INCLUDE WEIGHT OF POWER OR PACKAGING!!!

*** ANY ADDITIONS, DELETIONS, OR OMISSIONS MUST BE CORRECTED ON THIS DRAWING AS THIS DRAWING WILL BE CONSIDERED ALL INCLUSIVE ***

ALL GRAPHICS PROVIDED ARE FOR REFERENCE ONLY. IF CERTAIN DIMENSIONS ARE CRITICAL PLEASE VERIFY THOSE DIMENSIONS WITH YOUR SALESPERSON



ADJUSTABLE FEET
SCALE 1:12

CASTERS
SCALE 1:12

ANCHOR BOLT KIT
SCALE 1:12

CAPACITY: 2,000 LBS CAPACITY: 1,200 LBS CAPACITY 2,000 LBS

STANDARD FEATURES

MODEL NUMBER IS SLR-UM-6

OVERALL WIDTH W/ ADJUSTABLE FEET OR ANCHOR KIT IS 36 1/8"

OVERALL WIDTH W/ CASTERS IS 39"

OVERALL LENGTH IS 77 1/16"

OVERALL HEIGHT W/ ADJUSTABLE FEET OR ANCHOR KIT IS 75 1/4"

OVERALL HEIGHT W/ CASTERS IS 78 7/16"

MAX CAPACITY: SEE ABOVE FOR EACH OPTION

MAX CAPACITY PER DOUBLE HOOK IS 150 LBS

MIDDLE RACK IS ADJUSTABLE

8 DOUBLE HOOKS ARE ADJUSTABLE

(4) ADJUSTABLE FEET, (4) Ø3" STEM CASTERS W/ BRAKE,

AND AN ANCHOR BOLT KIT ARE INCLUDED

ADJUSTABLE FEET HAVE 1" OF ADJUSTABILITY

TOUGH BAKED IN POWDER COAT BLUE FINISH

SPECIAL FEATURES

NONE

DIMENSION TOLERANCE ± 1/4"

A P P R O V A L	I, THE UNDERSIGNED, AGREE THAT THE PRODUCT AS REPRESENTED SATISFIES DESIGN AND DIMENSION REQUIREMENTS. I ALSO ACKNOWLEDGE MY DUTY TO CONFIRM PRODUCT AND INSTALLATION COMPLIANCE WITH ALL APPLICABLE FEDERAL, STATE AND LOCAL REGULATIONS AND STANDARDS.	
	ANY MODIFIED UNITS ARE NON-RETURNABLE	
	[] As drawn [] As marked	
	Signed: _____ Date: _____	
Printed Name: _____		
LEAD TIME WILL START UPON RECEIPT OF SIGNED APPROVAL DRAWING		

FOR INTERNAL USE ONLY PROJECT SIGN OFF	
SALES	
ENG.	
FAB.	
POWER	

DISTRIBUTOR'S NAME:		P.O.#
VESTIL MANUFACTURING		X
		W.O.#
DRAWN BY: SJG		X
DATE: 3/19/2018		SALES: X
REFERENCE: X	SCALE: 1:26	FILE NAME:
QUOTED LEAD TIME: X	QUOTE # X	31-007-282