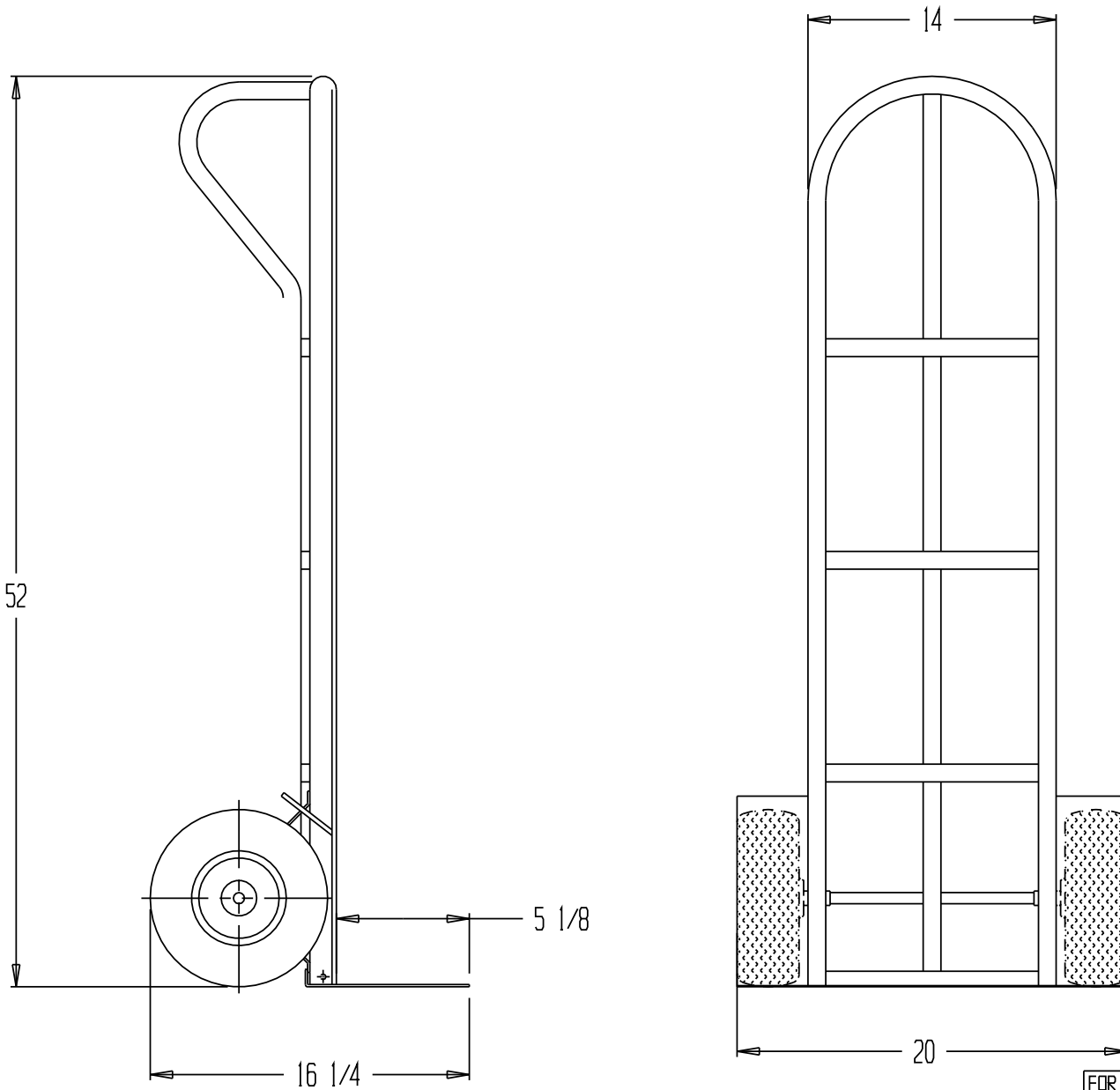


# "P" HANDLE HAND TRUCK, SPHT-500S-HD



## STANDARD FEATURES

MODEL NUMBER: SPHT-500S-HD  
 CAPACITY: 600 LBS.  
 NOSE PLATE: 20" W x 5 1/8" D  
 OVERALL WIDTH: 20"  
 OVERALL DEPTH: 16 1/4"  
 OVERALL HEIGHT: 52"  
 WHEELS: 10 x 3 1/2 PNEUMATIC

\*\*\* ALL GRAPHICS PROVIDED ARE FOR REFERENCE ONLY. IF CERTAIN DIMENSIONS ARE CRITICAL PLEASE VERIFY THOSE DIMENSIONS WITH YOUR SALESPERSON. \*\*\*

DIMENSION TOLERANCE  $\pm 1/2"$

FOR INTERNAL USE ONLY	
PROJECT SIGN OFF	
SALES	
ENG	
FAB.	

## SPECIAL FEATURES

NONE

\*\*Any additions, deletions or omissions must be corrected on this drawing, as this drawing will be considered all inclusive.\*\*

**A  
P  
P  
R  
O  
V  
A  
L**

I, THE UNDERSIGNED, AGREE THAT THE PRODUCT AS REPRESENTED SATISFIES DESIGN & DIMENSION REQUIREMENTS. I ALSO ACKNOWLEDGE MY DUTY TO CONFIRM PRODUCT & INSTALLATION COMPLIANCE WITH ALL APPLICABLE FEDERAL, STATE AND LOCAL REGULATIONS & STANDARDS.

**ALL SPECIAL UNITS ARE NON-RETURNABLE**  
 As drawn       As marked

Signed: \_\_\_\_\_ Date: \_\_\_\_\_

LEAD TIME WILL START UPON RECEIPT OF SIGNED APPROVAL DRAWING

DISTRIBUTOR'S NAME: <b>VESTIL MFG</b>		P.O.#: _
DRAWN BY: SR		W.O.#: _
DATE: 6/15/06	SCALE: 1:10	SALES: _
REFERENCE: _	QUOTE #: _	DRWG./FILE NAME: SPHT-500S-HD
QUOTED LEADTIME: _		