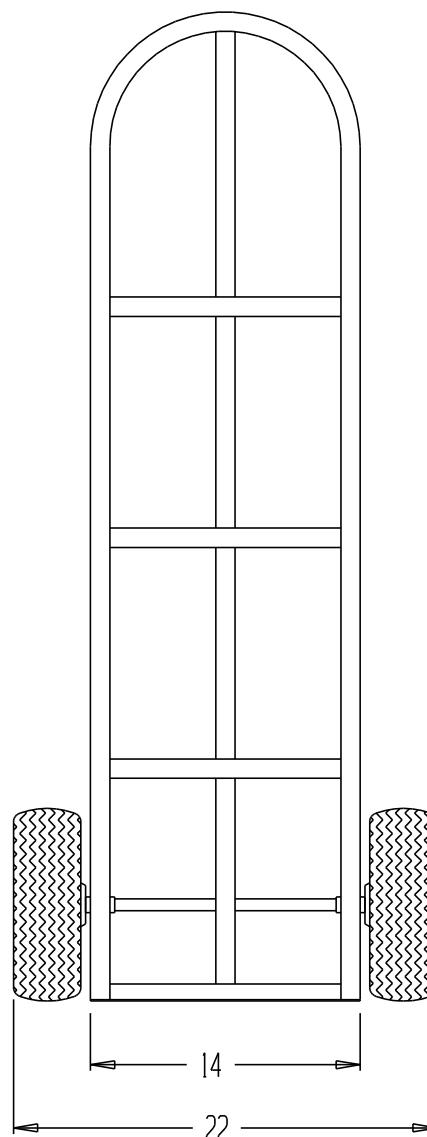
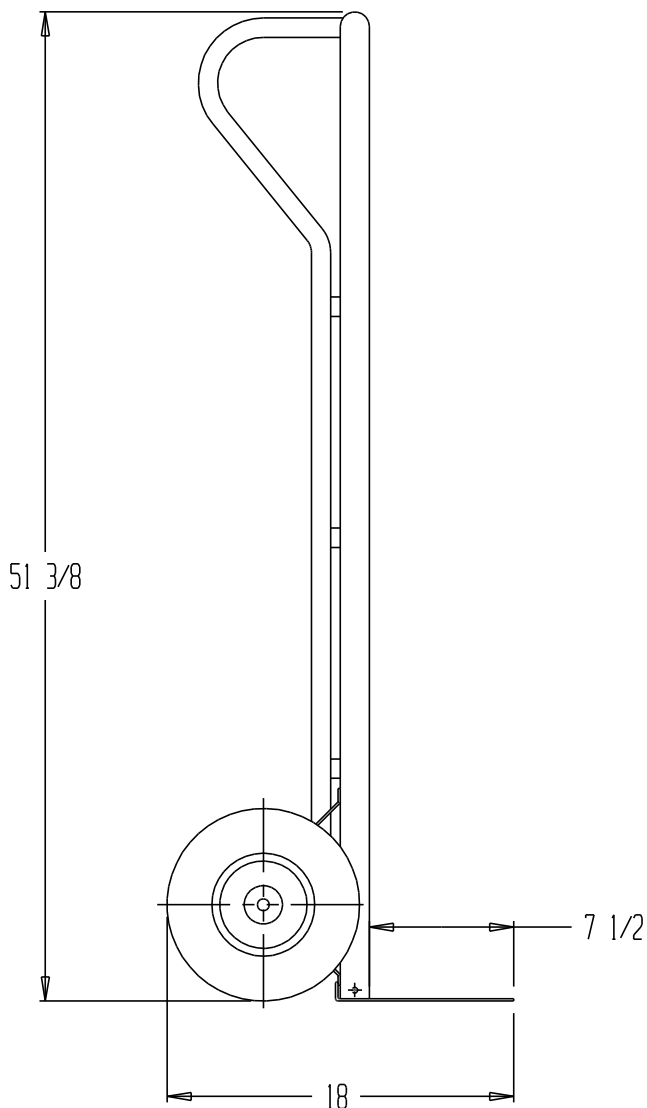


"P" HANDLE HAND TRUCK, SPHT-500S



SPECIAL FEATURES

NONE

STANDARD FEATURES

MODEL NUMBER: SPHT-500S
 CAPACITY: 500 LBS.
 NOSE PLATE: 14" W x 7 1/2" D
 OVERALL WIDTH: 22"
 OVERALL DEPTH: 18"
 OVERALL HEIGHT: 51 3/8"
 GALVANIZED FINISH

Any additions, deletions or omissions must be corrected on this drawing, as this drawing will be considered all inclusive.

All graphics provided are for reference only. If certain dimensions are critical please verify those dimensions with your salesperson

PRODUCTION WILL START UPON RECEIPT OF SIGNED APPROVAL DRAWING

FOR INTERNAL USE ONLY	
PROJECT SIGN OFF	
SALES	
ENG	
FAB.	
POWER	

APPROVAL

I, THE UNDERSIGNED, AGREE THAT THE PRODUCT AS REPRESENTED SATISFIES DESIGN & DIMENSION REQUIREMENTS. I ALSO ACKNOWLEDGE MY DUTY TO CONFIRM PRODUCT & INSTALLATION COMPLIANCE WITH ALL APPLICABLE FEDERAL, STATE AND LOCAL REGULATIONS & STANDARDS.
ANY MODIFIED UNITS ARE NON-RETURNABLE

() As drawn () As marked

Signed: _____ Date: _____

Printed Name: _____

LEAD TIME WILL START UPON RECEIPT OF SIGNED APPROVAL DRAWING

DISTRIBUTOR'S NAME:		P.O.#: -
VESTIL MANUFACTURING		W.O.#: -
DRAWN BY: SR	DATE: 6-15-06	SALES: -
REFERENCE: -	SCALE: 1:10	DRWG./FILE NAME:
QUOTED LEADTIME: -	QUOTE #: -	SPHT-500S

**SPECIAL UNITS ARE NON-RETURNABLE
 *AVAILABLE AT ADDITIONAL COSTS