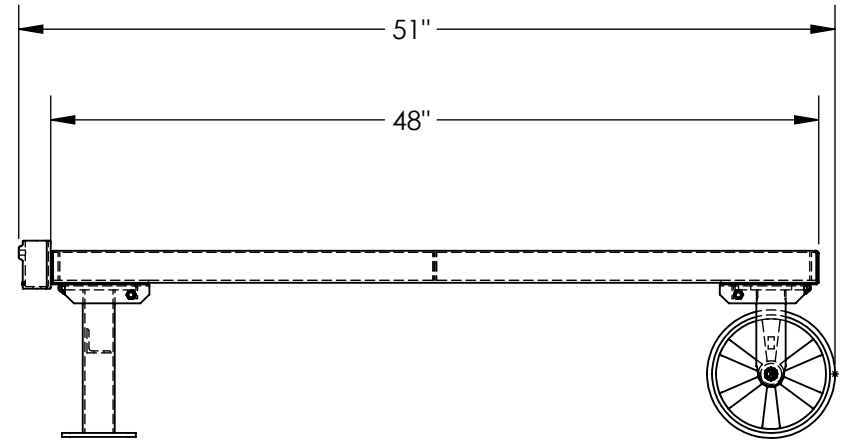
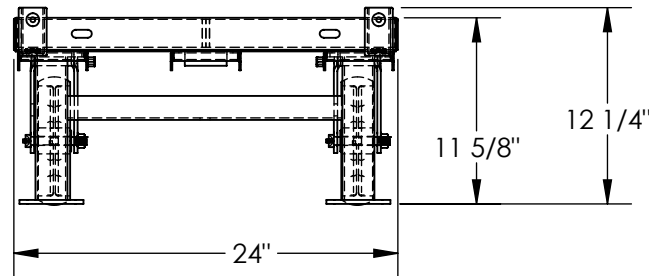
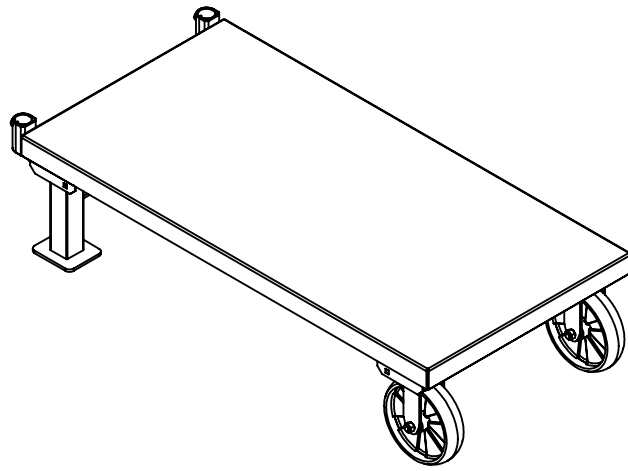


# SEMI-LIVE STEEL SKID - SPT-SL-24

APPROX WEIGHT: 120.81 lbs.  
 DOES NOT INCLUDE WEIGHT OF POWER OR PACKAGING!!!

\*\*\* ANY ADDITIONS, DELETIONS, OR OMISSIONS MUST BE CORRECTED ON THIS DRAWING AS THIS DRAWING WILL BE CONSIDERED ALL INCLUSIVE \*\*\*

ALL GRAPHICS PROVIDED ARE FOR REFERENCE ONLY. IF CERTAIN DIMENSIONS ARE CRITICAL PLEASE VERIFY THOSE DIMENSIONS WITH YOUR SALESPERSON



## STANDARD FEATURES

- MODEL NUMBER IS SPT-SL-24
- OVERALL WIDTH IS 24"
- OVERALL LENGTH IS 51"
- USABLE LENGTH IS 48"
- OVERALL HEIGHT IS 12 1/4"
- DECK HEIGHT IS 11 5/8"
- MAX CAPACITY IS 1600 LBS
- SPT-SL-JACK SOLD SEPARATELY
- CART IS TOUGH BAKED IN POWDER COATED BLUE FINISH
- LEGS ARE TOUGH BAKED IN POWDER COATED YELLOW FINISH

## SPECIAL FEATURES

NONE

DIMENSION TOLERANCE  $\pm 1/4"$

<b>APPROVAL</b>	I, THE UNDERSIGNED, AGREE THAT THE PRODUCT AS REPRESENTED SATISFIES DESIGN AND DIMENSION REQUIREMENTS. I ALSO ACKNOWLEDGE MY DUTY TO CONFIRM PRODUCT AND INSTALLATION COMPLIANCE WITH ALL APPLICABLE FEDERAL, STATE AND LOCAL REGULATIONS AND STANDARDS.	
	<b>ANY MODIFIED UNITS ARE NON-RETURNABLE</b>	
	[ ] As drawn      [ ] As marked	
	Signed: _____	Date: _____
Printed Name: _____		
<i>LEAD TIME WILL START UPON RECEIPT OF SIGNED APPROVAL DRAWING</i>		

FOR INTERNAL USE ONLY PROJECT SIGN OFF	
SALES	
ENG.	
FAB.	
POWER	

DISTRIBUTOR'S NAME:		P.O.#
VESTIL MANUFACTURING		X
DRAWN BY: KGH		DATE: 02/25/16
REFERENCE: X		SCALE: 1:12
QUOTED LEAD TIME: X		QUOTE #
		X
		FILE NAME:
		33-007-309