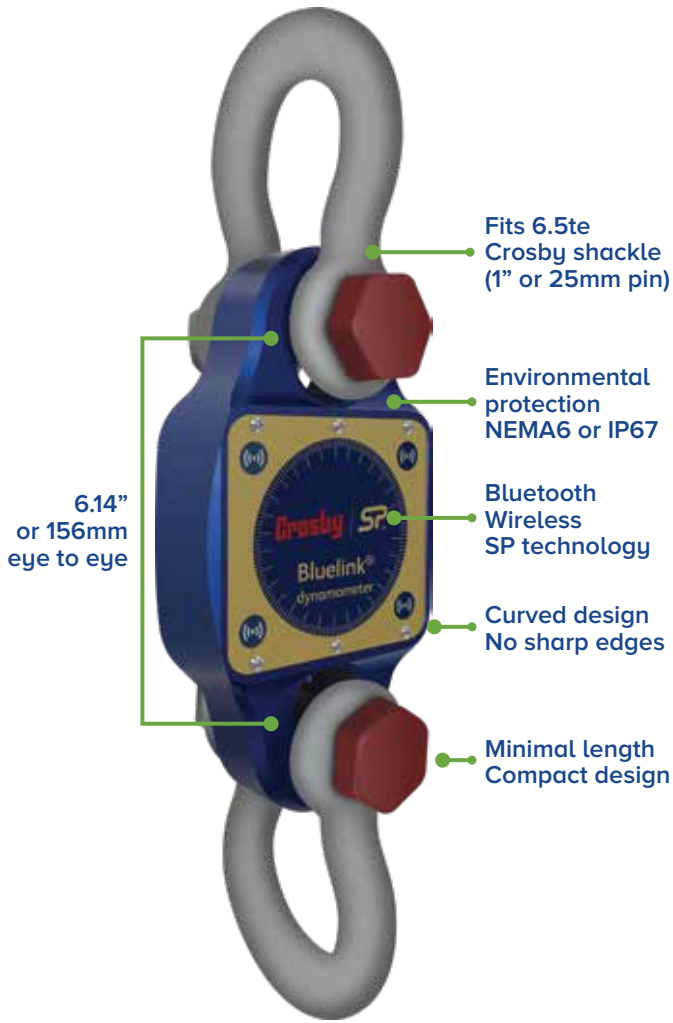




BlueLink



Wireless Range
100m or 328ft

- Connect up to four load cells
- Multiple weight unit measurement options (kg,te,lb,kN)
- Peak Hold button
- Data capture
- Reset Tare
- HHP app connects via Bluetooth to iOS & Android device
- Audible alarm alert for high/low values

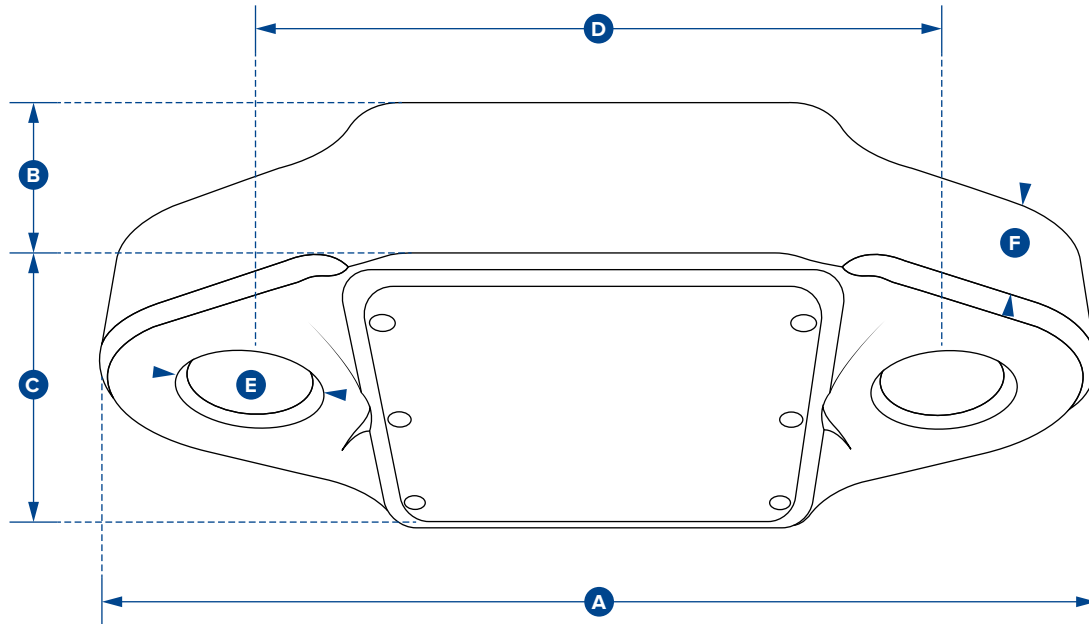
Designed to replace outdated mechanical products still in the field, this 14,300lb (6500kg) Dynamometer, the 'BlueLink', is the latest SP product to feature their proprietary Bluetooth wireless technology.

The Bluetooth signal effortlessly connects via Bluetooth to iOS & Android device that has our free HHP app installed, providing the operator with a wireless range of up to 328ft or 100m. This allows them to stand in a safe position from the load, with no requirement to read a load on the load cell itself. The app will also allow the operator to log data versus time, or on events such as over or underload. An adjustable alarm will alert the operator on their smartphone if any overload is occurring.

Rigged using industry standard shackles such as Crosby G2130, the BlueLink has been designed to minimise headroom (6.14" or 156mm from eye to eye). With a safety factor of over 500%, its compact lightweight design does not sacrifice on strength.

Constructed from high-quality aerospace grade aluminium, which is then hard-anodised, it features an advanced internal design structure. This design provides the product with an unrivalled strength to weight ratio. The use of a separate internal sealed enclosure administers the load cell's electronic components with IP67 or NEMA6 environmental protection, even with the battery cover plate missing. All these features makes it an industry-leading compact dynamometer, even more suitable for use in the harshest industrial or leisure environments.

The BlueLink is powered by four standard AA alkaline batteries that provide in excess of 500 hours transmission time. Its internal antennae ensures safe transmissions of loads to an accuracy of $\pm 0.2\%$ FS.



Part Numbers	
SP	BLD6T5
Crosby	2789218
Capacity	6.5te
	14,300 lbs
Resolution	0.001te
	2lbs
Weight	1.5kg
	3.3lbs
Safety Factor	5:1
Battery Type	4 x AA alkaline batteries
Battery Life	500hrs
Operating Temperature	-10°C to +50°C or 14°F to 122°F
Accuracy	±0.2% of full scale
System Range (Max)	100 metres or 328 feet
Data Rate	3Hz
Protection	IP67 or NEMA6
Dimension A	224
	8.82"
Dimension B	44
	1.73"
Dimension C	113.6
	4.47"
Dimension D	156
	6.14"
Dimension ØE	27.5
	1.08"
Dimension F	26
	1.02"