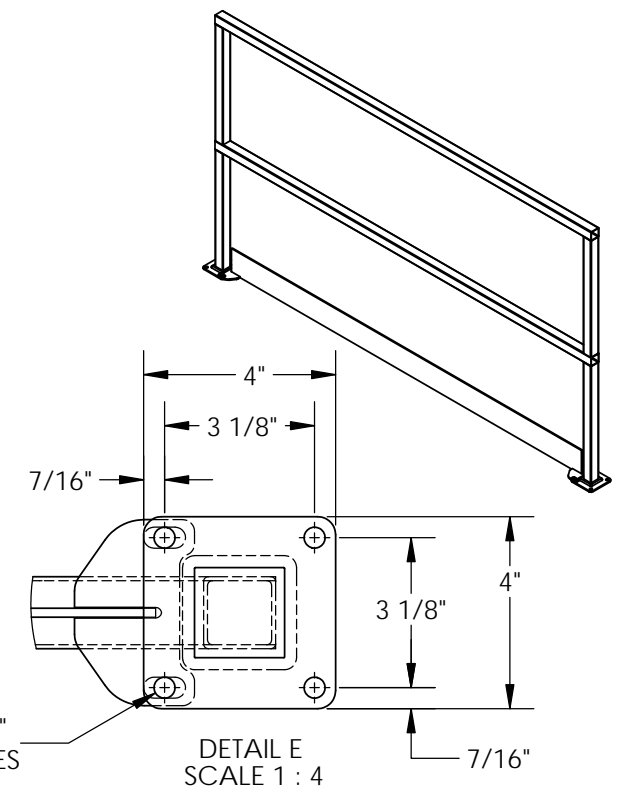
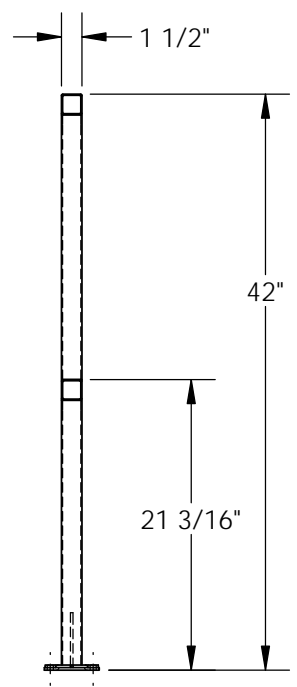
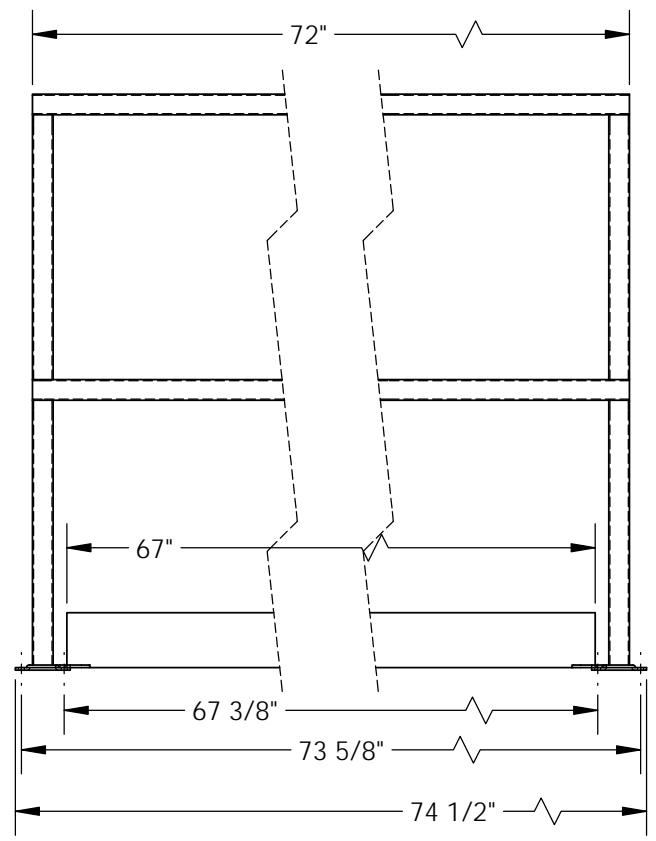


STEEL SQUARE SAFETY HANDRAIL W/TOEBOARD - SQ-72-TB

APPROX WEIGHT: 46.23 lbs.
 DOES NOT INCLUDE WEIGHT OF POWER OR PACKAGING!!!

*** ANY ADDITIONS, DELETIONS, OR OMISSIONS MUST BE CORRECTED ON THIS DRAWING AS THIS DRAWING WILL BE CONSIDERED ALL INCLUSIVE ***
 ALL GRAPHICS PROVIDED ARE FOR REFERENCE ONLY. IF CERTAIN DIMENSIONS ARE CRITICAL PLEASE VERIFY THOSE DIMENSIONS WITH YOUR SALESPERSON



DIMENSION TOLERANCE ± 1/4"

STANDARD FEATURES

- MODEL NUMBER IS SQ-72-TB
- OVERALL WIDTH IS 4"
- USABLE WIDTH IS 1 1/2"
- OVERALL LENGTH IS 74 1/2"
- USABLE LENGTH IS 72"
- OVERALL HEIGHT IS 42"
- MID-RAIL HEIGHT IS 21 3/16"
- INSIDE MOUNTING HOLES ARE 67 3/8" CENTER TO CENTER
- OUTSIDE MOUNTING HOLES ARE 73 5/8" CENTER TO CENTER
- TOEBOARD LENGTH IS 67"

SPECIAL FEATURES

NONE

I, THE UNDERSIGNED, AGREE THAT THE PRODUCT AS REPRESENTED SATISFIES DESIGN AND DIMENSION REQUIREMENTS. I ALSO ACKNOWLEDGE MY DUTY TO CONFIRM PRODUCT AND INSTALLATION COMPLIANCE WITH ALL APPLICABLE FEDERAL, STATE AND LOCAL REGULATIONS AND STANDARDS.
ALL SPECIAL UNITS ARE NON-RETURNABLE
 As drawn As marked

APPROVAL

Signed: _____ Date: _____

LEAD TIME WILL START UPON RECEIPT OF SIGNED APPROVAL DRAWING

FOR INTERNAL USE ONLY PROJECT SIGN OFF	
SALES	
ENG.	
FAB.	
POWER	

DISTRIBUTOR'S NAME:		P.O.#
VESTIL MANUFACTURING		X
DRAWN BY:	DATE:	W.O.#
SJA	07/13/2015	X
REFERENCE:	SCALE:	SALES:
X	1:14	X
QUOTED LEAD TIME:	QUOTE #	FILE NAME:
X	X	23-007-592