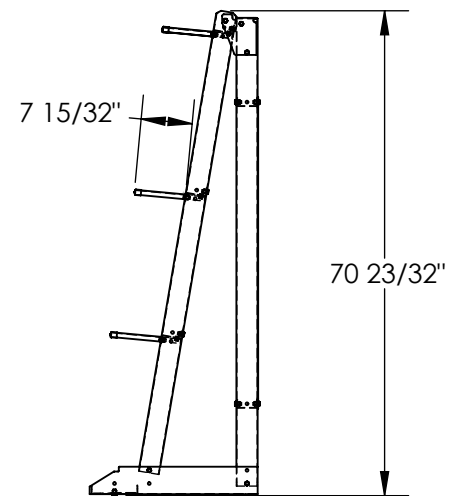
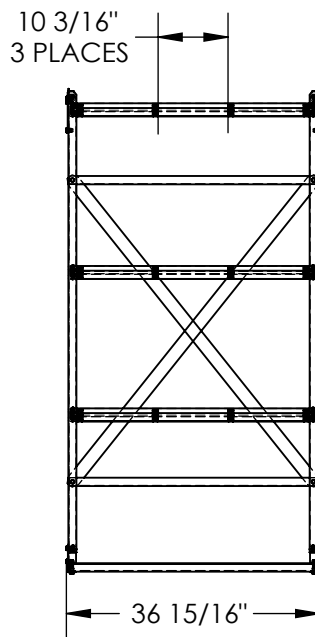
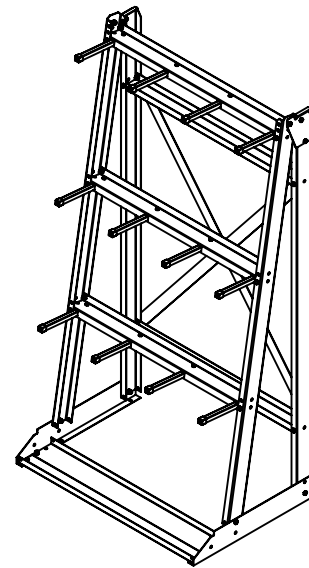
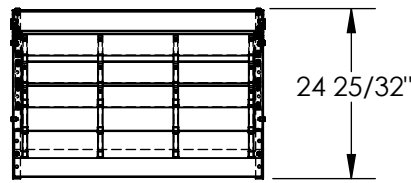


STORAGE RACK- SR-V

APPROX WEIGHT: 67.41 lbs.
DOES NOT INCLUDE WEIGHT OF POWER OR PACKAGING!!!

ANY ADDITIONS, DELETIONS, OR OMISSIONS MUST BE CORRECTED ON THIS DRAWING AS THIS DRAWING WILL BE CONSIDERED ALL INCLUSIVE



ALL GRAPHICS PROVIDED ARE FOR REFERENCE ONLY. IF CERTAIN DIMENSIONS ARE CRITICAL PLEASE VERIFY THOSE DIMENSIONS WITH YOUR SALESPERSON

STANDARD FEATURES

- MODEL NUMBER IS: SR-V
- MATERIAL IS: GALVANIZED STEEL
- OVERALL WIDTH IS: 36 15/16"
- OVERALL LENGTH IS: 24 25/32"
- OVERALL HEIGHT IS: 70 23/32"
- NUMBER OF STORAGE BAYS IS: 3
- DISTANCE BETWEEN RODS IS: 10 3/16"
- USABLE ROD LENGTH IS: 7 15/32"

SPECIAL FEATURES

NONE

APPROVAL

I, THE UNDERSIGNED, AGREE THAT THE PRODUCT AS REPRESENTED SATISFIES DESIGN AND DIMENSION REQUIREMENTS. I ALSO ACKNOWLEDGE MY DUTY TO CONFIRM PRODUCT AND INSTALLATION COMPLIANCE WITH ALL APPLICABLE FEDERAL, STATE AND LOCAL REGULATIONS AND STANDARDS.

ALL SPECIAL UNITS ARE NON-RETURNABLE

[] As drawn [] As marked

Signed: _____ Date: _____

LEAD TIME WILL START UPON RECEIPT OF SIGNED APPROVAL DRAWING

DISTRIBUTOR'S NAME:		P.O.#
VESTIL MANUFACTURING		X
DRAWN BY:	DATE:	W.O.#
T. MOORE	05/20/09	X
REFERENCE:	SCALE: 1:28	SALES:
X		X
	QUOTE #	FILE NAME:
	X	31-007-101