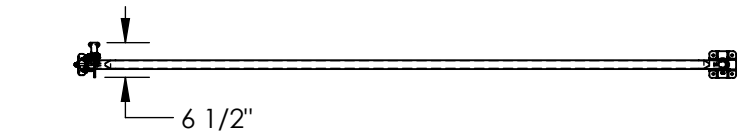


# SAFETY SWING GATE - SSG-10-RD

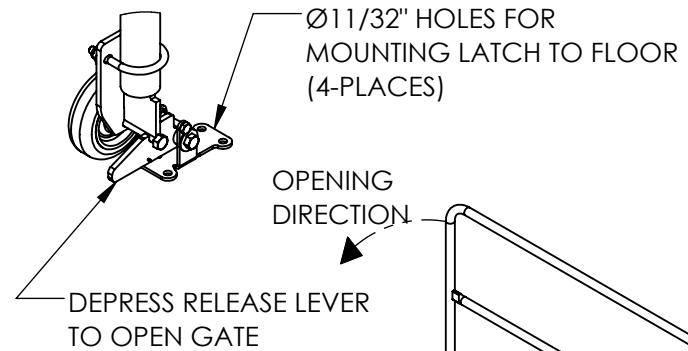
APPROX WEIGHT: 62.33 lbs.  
 DOES NOT INCLUDE WEIGHT OF POWER OR PACKAGING!!!

\*\*\* ANY ADDITIONS, DELETIONS, OR OMISSIONS MUST BE CORRECTED ON THIS DRAWING AS THIS DRAWING WILL BE CONSIDERED ALL INCLUSIVE \*\*\*

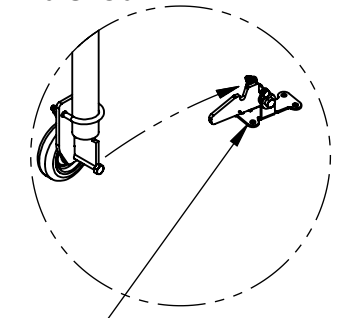
ALL GRAPHICS PROVIDED ARE FOR REFERENCE ONLY. IF CERTAIN DIMENSIONS ARE CRITICAL PLEASE VERIFY THOSE DIMENSIONS WITH YOUR SALESPERSON



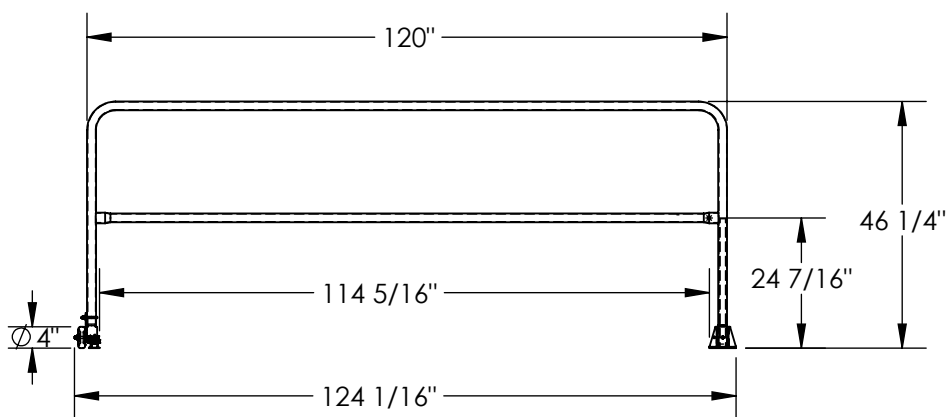
DETAIL A  
 SCALE 1 : 8



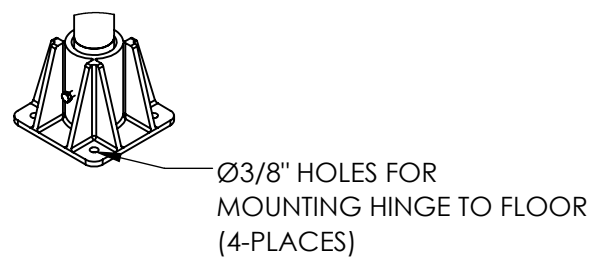
LATCH END SHOWN  
 BEFORE GATE IS CLOSED



LATCH MAY  
 BE ROTATED  
 180° TO ALLOW  
 GATE OPENING IN  
 OPP. DIRECTION



DETAIL B  
 SCALE 1 : 8



OPENING  
 DIRECTION

DEPRESS RELEASE LEVER  
 TO OPEN GATE

LATCH END

A

HINGE END

B

DIMENSION TOLERANCE ± 1/4"

GATE OPENS IN JUST ONE DIRECTION.  
 LATCH CAN BE POSITIONED TO ALLOW  
 OPENING EITHER WAY. HINGE END CAN  
 BE LOCATED ON RIGHT OR LEFT SIDE.

A  
P  
P  
R  
O  
V  
A  
L

I, THE UNDERSIGNED, AGREE THAT THE PRODUCT AS REPRESENTED SATISFIES DESIGN AND DIMENSION REQUIREMENTS. I ALSO ACKNOWLEDGE MY DUTY TO CONFIRM PRODUCT AND INSTALLATION COMPLIANCE WITH ALL APPLICABLE FEDERAL, STATE AND LOCAL REGULATIONS AND STANDARDS.  
**UNITS REQUIRING APPROVAL DRAWINGS OR MODIFIED ARE NON-RETURNABLE**  
 As drawn       As marked

Signed: \_\_\_\_\_ Date: \_\_\_\_\_

Printed Name: \_\_\_\_\_

LEAD TIME WILL START UPON RECEIPT OF SIGNED APPROVAL DRAWING

## STANDARD FEATURES

- MODEL NUMBER: SSG-10-RD
- OVERALL WIDTH: 6 1/2"
- OVERALL LENGTH: 124 1/16"
- INSIDE OPENING LENGTH: 114 5/16"
- GATE LENGTH: 120"
- OVERALL HEIGHT: 46 1/4"
- WELDED STEEL CONSTRUCTION
- TOUGH BAKED IN POWDER COATED RED FINISH

## SPECIAL FEATURES

NONE

DISTRIBUTOR'S NAME:		P.O.#
VESTIL MANUFACTURING		X
DRAWN BY: JGP		W.O.#
DATE: 5/10/2021		X
REFERENCE: X	SCALE: 1:36	SALES: X
QUOTED LEAD TIME: X	QUOTE #	FILE NAME:
	X	23-007-829-005