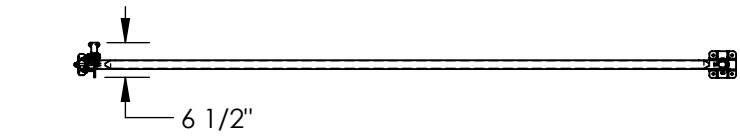


SAFETY SWING GATE - SSG-10-WT

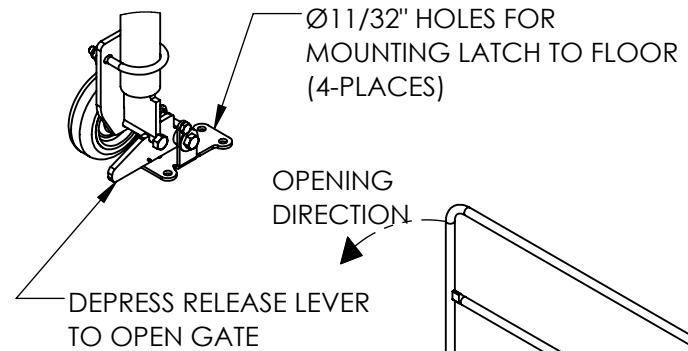
APPROX WEIGHT: 62.33 lbs.
 DOES NOT INCLUDE WEIGHT OF POWER OR PACKAGING!!!

*** ANY ADDITIONS, DELETIONS, OR OMISSIONS MUST BE CORRECTED ON THIS DRAWING AS THIS DRAWING WILL BE CONSIDERED ALL INCLUSIVE ***

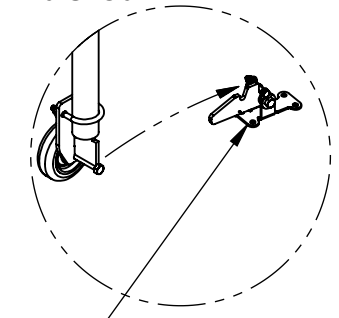
ALL GRAPHICS PROVIDED ARE FOR REFERENCE ONLY. IF CERTAIN DIMENSIONS ARE CRITICAL PLEASE VERIFY THOSE DIMENSIONS WITH YOUR SALESPERSON



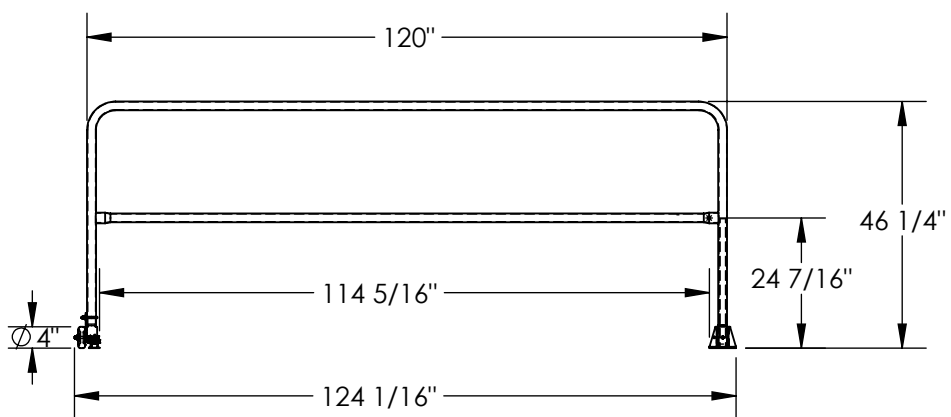
DETAIL A
SCALE 1 : 8



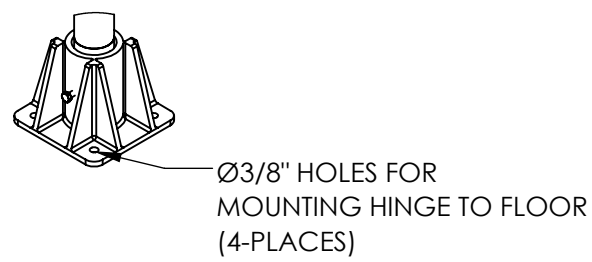
LATCH END SHOWN
BEFORE GATE IS CLOSED



LATCH MAY BE ROTATED 180° TO ALLOW GATE OPENING IN OPP. DIRECTION



DETAIL B
SCALE 1 : 8



OPENING DIRECTION

DEPRESS RELEASE LEVER TO OPEN GATE

LATCH END

A

HINGE END

B

DIMENSION TOLERANCE ± 1/4"

GATE OPENS IN JUST ONE DIRECTION. LATCH CAN BE POSITIONED TO ALLOW OPENING EITHER WAY. HINGE END CAN BE LOCATED ON RIGHT OR LEFT SIDE.

APPROVAL

I, THE UNDERSIGNED, AGREE THAT THE PRODUCT AS REPRESENTED SATISFIES DESIGN AND DIMENSION REQUIREMENTS. I ALSO ACKNOWLEDGE MY DUTY TO CONFIRM PRODUCT AND INSTALLATION COMPLIANCE WITH ALL APPLICABLE FEDERAL, STATE AND LOCAL REGULATIONS AND STANDARDS.
UNITS REQUIRING APPROVAL DRAWINGS OR MODIFIED ARE NON-RETURNABLE
 As drawn As marked

Signed: _____ Date: _____

Printed Name: _____

LEAD TIME WILL START UPON RECEIPT OF SIGNED APPROVAL DRAWING

DISTRIBUTOR'S NAME:		P.O.#
VESTIL MANUFACTURING		X
DRAWN BY: JGP		W.O.#
DATE: 5/10/2021		X
REFERENCE: X	SCALE: 1:36	SALES: X
QUOTED LEAD TIME: X	QUOTE #	FILE NAME:
	X	23-007-829-007

STANDARD FEATURES

- MODEL NUMBER: SSG-10-WT
- OVERALL WIDTH: 6 1/2"
- OVERALL LENGTH: 124 1/16"
- INSIDE OPENING LENGTH: 114 5/16"
- GATE LENGTH: 120"
- OVERALL HEIGHT: 46 1/4"
- WELDED STEEL CONSTRUCTION
- TOUGH BAKED IN POWDER COATED WHITE FINISH

SPECIAL FEATURES

NONE