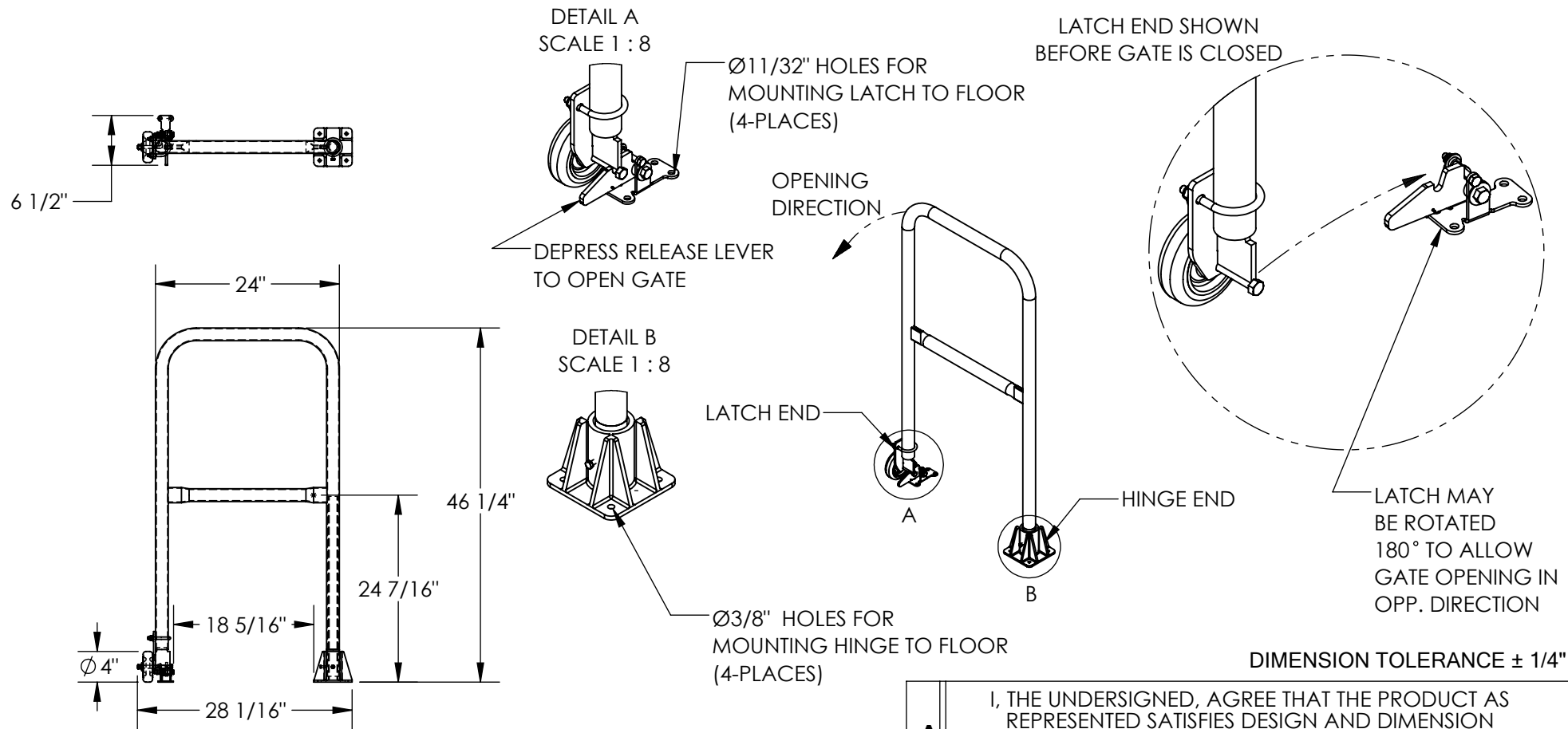


# SAFETY SWING GATE - SSG-2

APPROX WEIGHT: 33.41 lbs.  
DOES NOT INCLUDE WEIGHT OF POWER OR PACKAGING!!!

\*\*\* ANY ADDITIONS, DELETIONS, OR OMISSIONS MUST BE CORRECTED ON THIS DRAWING AS THIS DRAWING WILL BE CONSIDERED ALL INCLUSIVE \*\*\*

ALL GRAPHICS PROVIDED ARE FOR REFERENCE ONLY. IF CERTAIN DIMENSIONS ARE CRITICAL PLEASE VERIFY THOSE DIMENSIONS WITH YOUR SALESPERSON



DIMENSION TOLERANCE ± 1/4"

GATE OPENS IN JUST ONE DIRECTION. LATCH CAN BE POSITIONED TO ALLOW OPENING EITHER WAY. HINGE END CAN BE LOCATED ON RIGHT OR LEFT SIDE.

## STANDARD FEATURES

- MODEL NUMBER: SSG-2
- OVERALL WIDTH: 6 1/2"
- OVERALL LENGTH: 28 1/16"
- INSIDE OPENING LENGTH: 18 5/16"
- GATE LENGTH: 24"
- OVERALL HEIGHT: 46 1/4"
- WELDED STEEL CONSTRUCTION
- TOUGH BAKED IN POWDER COATED YELLOW FINISH

## SPECIAL FEATURES

NONE

APPROVAL

I, THE UNDERSIGNED, AGREE THAT THE PRODUCT AS REPRESENTED SATISFIES DESIGN AND DIMENSION REQUIREMENTS. I ALSO ACKNOWLEDGE MY DUTY TO CONFIRM PRODUCT AND INSTALLATION COMPLIANCE WITH ALL APPLICABLE FEDERAL, STATE AND LOCAL REGULATIONS AND STANDARDS.  
**UNITS REQUIRING APPROVAL DRAWINGS OR MODIFIED ARE NON-RETURNABLE**  
[ ] As drawn [ ] As marked

Signed: \_\_\_\_\_ Date: \_\_\_\_\_

Printed Name: \_\_\_\_\_

LEAD TIME WILL START UPON RECEIPT OF SIGNED APPROVAL DRAWING

|                      |                |            |
|----------------------|----------------|------------|
| DISTRIBUTOR'S NAME:  |                | P.O.#      |
| VESTIL MANUFACTURING |                | X          |
| DRAWN BY: JGP        | DATE: 5/5/2021 | W.O.#      |
| REFERENCE: X         | SCALE: 1:20    | X          |
| QUOTED LEAD TIME: X  | QUOTE #        | SALES: X   |
|                      | X              | FILE NAME: |
|                      |                | 23-007-822 |