

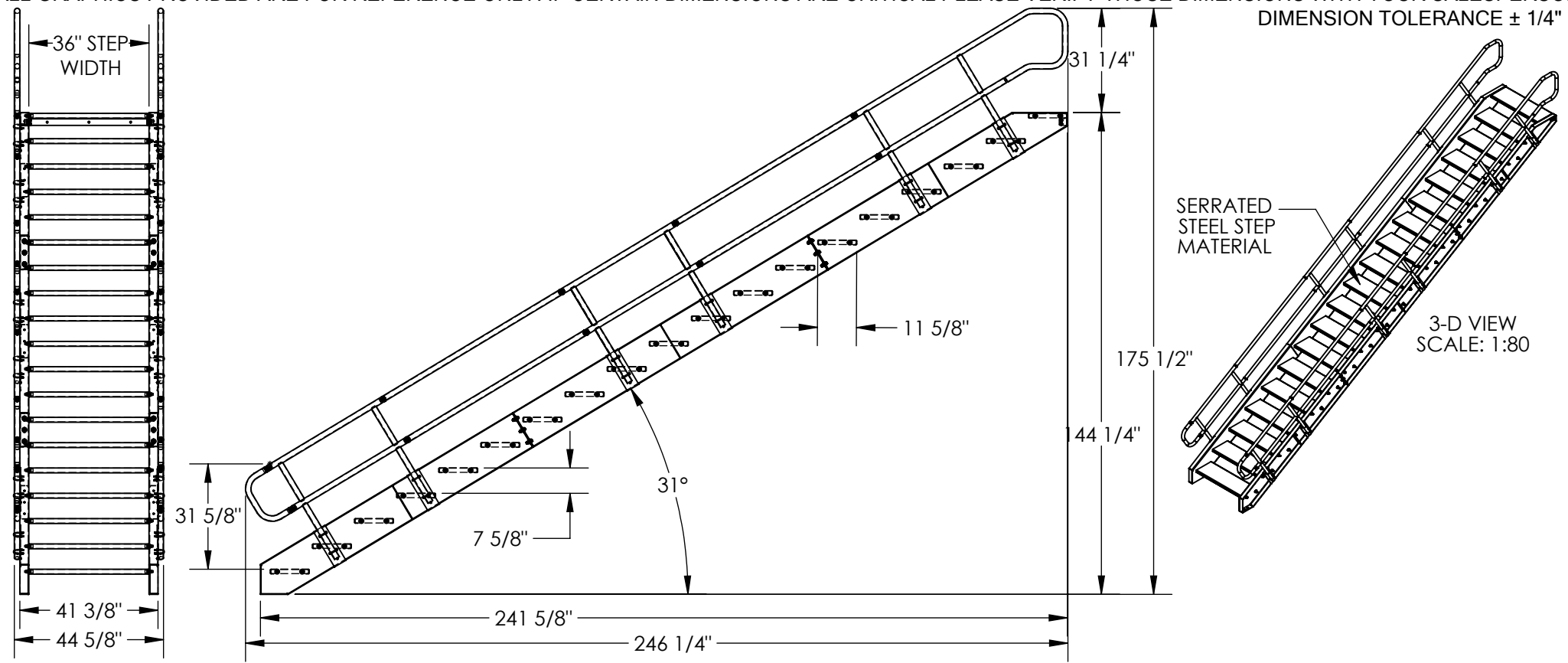
# MODULAR STYLE STAIRWAY, STAIR-144

APPROX WEIGHT: 1101.87 lbs.  
 DOES NOT INCLUDE WEIGHT OF POWER OR PACKAGING!!!

\*\*\* ANY ADDITIONS, DELETIONS, OR OMISSIONS MUST BE CORRECTED ON THIS DRAWING AS THIS DRAWING WILL BE CONSIDERED ALL INCLUSIVE \*\*\*

ALL GRAPHICS PROVIDED ARE FOR REFERENCE ONLY. IF CERTAIN DIMENSIONS ARE CRITICAL PLEASE VERIFY THOSE DIMENSIONS WITH YOUR SALESPERSON

DIMENSION TOLERANCE  $\pm 1/4"$



## STANDARD FEATURES

MODEL NUMBER: STAIR-144  
 MAX CAPACITY: 1,000 LBS.  
 STANDARD STEP WIDTH: 36"  
 STEP HEIGHT SPACING: 7 5/8"  
 TOP STEP HEIGHT: 144 1/4"  
 RUN DIMENSION: 241 5/8"  
 OVERALL DIMENSIONS:  
 44 5/8" W x 246 1/4" L x 175 1/2" H  
 STAIR IS TOUGH BAKED IN POWDER COATED BLUE FINISH  
 HANDRAIL IS TOUGH BAKED IN POWDER COATED YELLOW FINISH  
 STANDARD MODULAR DESIGN WITH BOLT-ON HANDRAIL  
 UNIT SHIPS KNOCKED-DOWN (ASSEMBLY REQUIRED)  
 TOP STEP IS FLUSH WITH THE LANDING  
 STANDARD SERRATED STEEL STEP MATERIAL (7 5/8" DEEP x 36" WIDE)  
 CLIMB ANGLE: 31° (APPROX.)

## SPECIAL FEATURES

NONE

APPROVAL

I, THE UNDERSIGNED, AGREE THAT THE PRODUCT AS REPRESENTED SATISFIES DESIGN AND DIMENSION REQUIREMENTS. I ALSO ACKNOWLEDGE MY DUTY TO CONFIRM PRODUCT AND INSTALLATION COMPLIANCE WITH ALL APPLICABLE FEDERAL, STATE AND LOCAL REGULATIONS AND STANDARDS.  
**UNITS REQUIRING APPROVAL DRAWINGS OR MODIFIED ARE NON-RETURNABLE**  
 As drawn       As marked

Signed: \_\_\_\_\_ Date: \_\_\_\_\_

Printed Name: \_\_\_\_\_

LEAD TIME WILL START UPON RECEIPT OF SIGNED APPROVAL DRAWING

DISTRIBUTOR'S NAME:		P.O.#	
VESTIL MANUFACTURING		X	
DRAWN BY: NBE		DATE: 10/19/2021	W.O.#
REFERENCE: X		SCALE: 1:44	X
QUOTED LEAD TIME: X		QUOTE #	FILE NAME:
		X	44-007-726