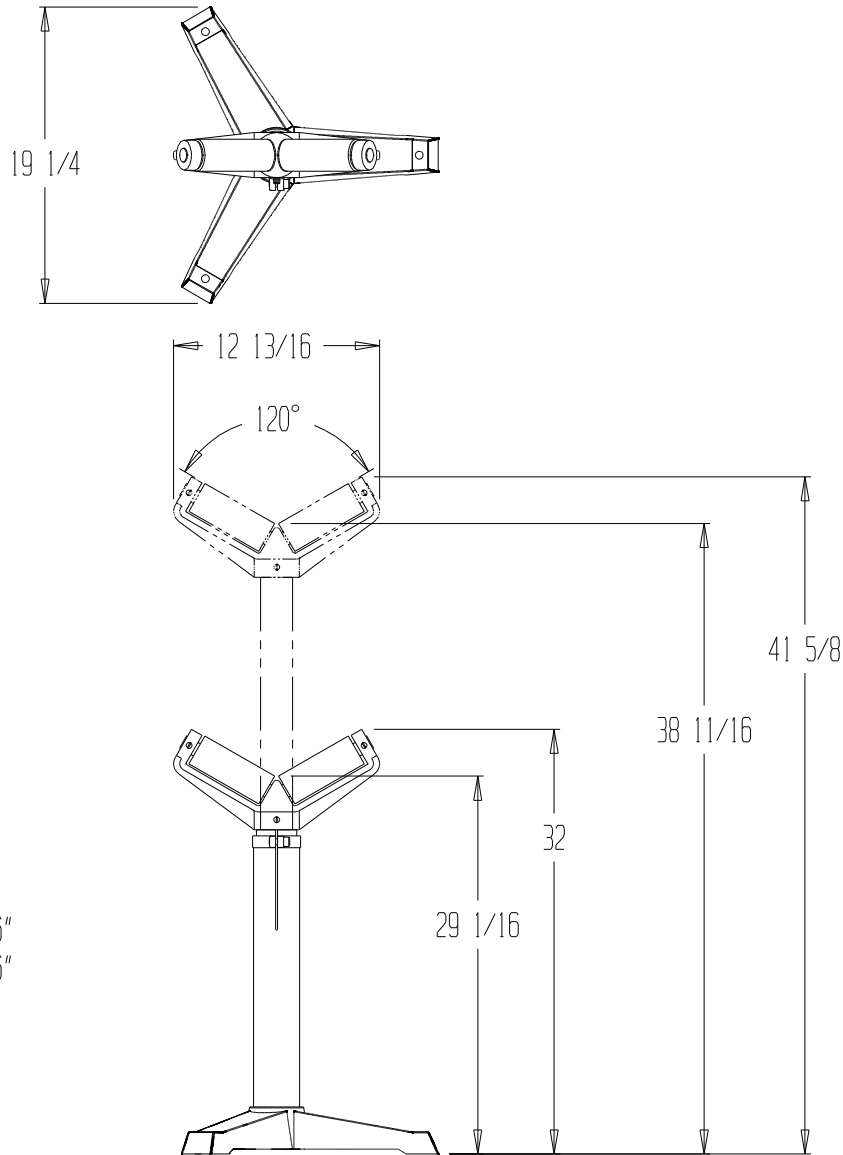


# DELUXE ROLLER STAND, STAND-G-V



## STANDARD FEATURES

- MODEL NUMBER: STAND-G-V
- CAPACITY: 1760 LBS
- LOWERED USABLE HEIGHT(MIN): 29 1/16"
- RAISED USABLE HEIGHT(MAX): 38 11/16"
- OVERALL HEIGHT RAISED: 41 5/8"
- OVERALL HEIGHT LOWERED: 32"
- (2) 5" V- ROLLERS
- HEAVY-DUTY CAST-ST'L BASE
- ADJUSTABLE HEIGHT
- ROLLERS ARE 2" DIA & CHROME PLATED

## SPECIAL FEATURES

NONE

\*\*Any additions, deletions or omissions must be corrected on this drawing, as this drawing will be considered all inclusive.\*\*

All graphics provided are for reference only.  
If certain dimensions are critical please  
verify those dimensions with your salesperson

PRODUCTION WILL START UPON  
RECEIPT OF SIGNED APPROVAL  
DRAWING

APPROVAL	I, THE UNDERSIGNED, AGREE THAT THE PRODUCT AS REPRESENTED SATISFIES DESIGN & DIMENSION REQUIREMENTS. I ALSO ACKNOWLEDGE MY DUTY TO CONFIRM PRODUCT & INSTALLATION COMPLIANCE WITH ALL APPLICABLE FEDERAL, STATE AND LOCAL REGULATIONS & STANDARDS.	
	<b>UNITS REQUIRING APPROVAL DRAWINGS OR MODIFIED ARE NON-RETURNABLE</b>	
	( ) As drawn ( ) As marked	
	Signed: _____	Date: _____
Printed Name _____		
LEAD TIME WILL START UPON RECEIPT OF SIGNED APPROVAL DRAWING		

DISTRIBUTOR'S NAME: <b>VESTIL MANUFACTURING</b>		P.O.#: -
DRAWN BY: TAL		DATE: 2/8/2024
REFERENCE: -	SCALE: 1:12	SALES: -
QUOTED LEADTIME: -	QUOTE #: -	DRWG./FILE NAME: STAND-G-V

\*\*SPECIAL UNITS ARE NON-RETURNABLE  
\*AVAILABLE AT ADDITIONAL COSTS