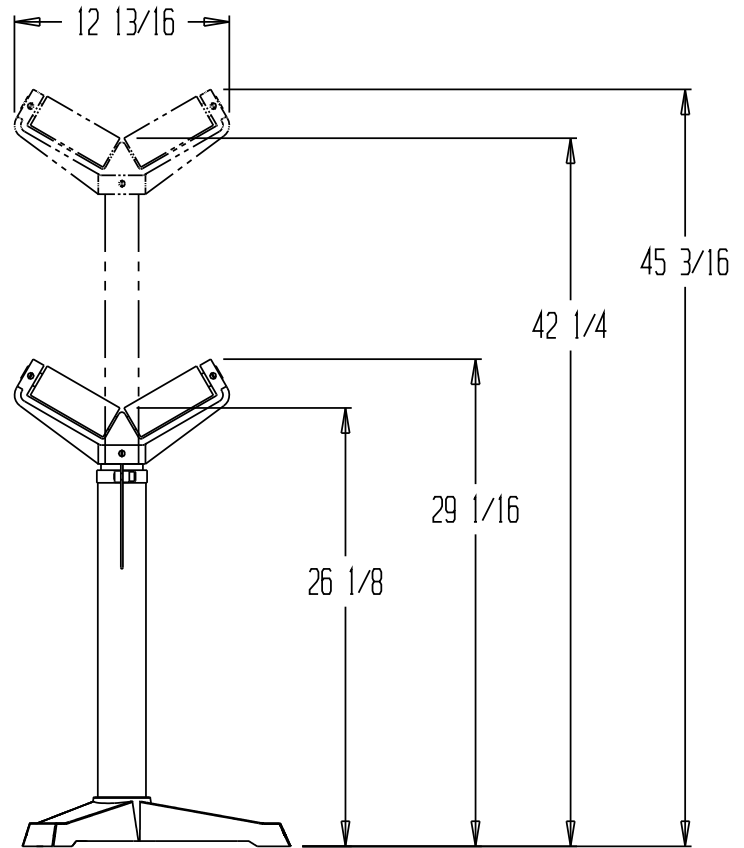
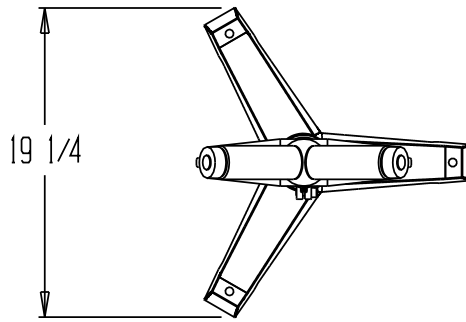


# DELUXE ROLLER STAND, STAND-V-HP



## STANDARD FEATURES

- MODEL NUMBER: STAND-V-HP
- CAPACITY: 1760 LBS
- LOWERED USABLE HEIGHT(MIN): 26 1/8"
- RAISED USABLE HEIGHT(MAX): 42 1/4"
- OVERALL HEIGHT RAISED: 45 3/16"
- OVERALL HEIGHT LOWERED: 29 1/16"
- (2) 5" V- ROLLERS
- HEAVY-DUTY CAST-ST'L BASE
- ADJUSTABLE HEIGHT
- ROLLERS ARE 2" DIA & CHROME PLATED

## SPECIAL FEATURES

NONE

LEAD TIME WILL START UPON  
RECEIPT OF SIGNED APPROVAL  
DRAWING

### APPROVAL

I, the undersigned, hereby approve this print  
 As drawn       As marked

This includes my approval of design & dimensions.

Signed: \_\_\_\_\_

Date: \_\_\_\_\_

\*\*Any additions, deletions or omissions must be corrected on this drawing, as this drawing will be considered all inclusive.\*\*

- \*\*SPECIAL UNITS ARE NON-RETURNABLE
- \*AVAILABLE AT ADDITIONAL COSTS

\*\*\* ALL GRAPHICS PROVIDED ARE FOR REFERENCE ONLY.  
IF CERTAIN DIMENSIONS ARE CRITICAL PLEASE VERIFY  
THOSE DIMENSIONS WITH YOUR SALESPERSON. \*\*\*

DISTRIBUTOR'S NAME: <b>VESTIL MANUFACTURING</b>		P.O.#: -
		W.O.#: -
DRAWN BY: <input checked="" type="checkbox"/> W	DATE: 7-31-06	SALES: -
REFERENCE: -		DRWG./FILE NAME: STAND-V-HP
SCALE: 1:12		