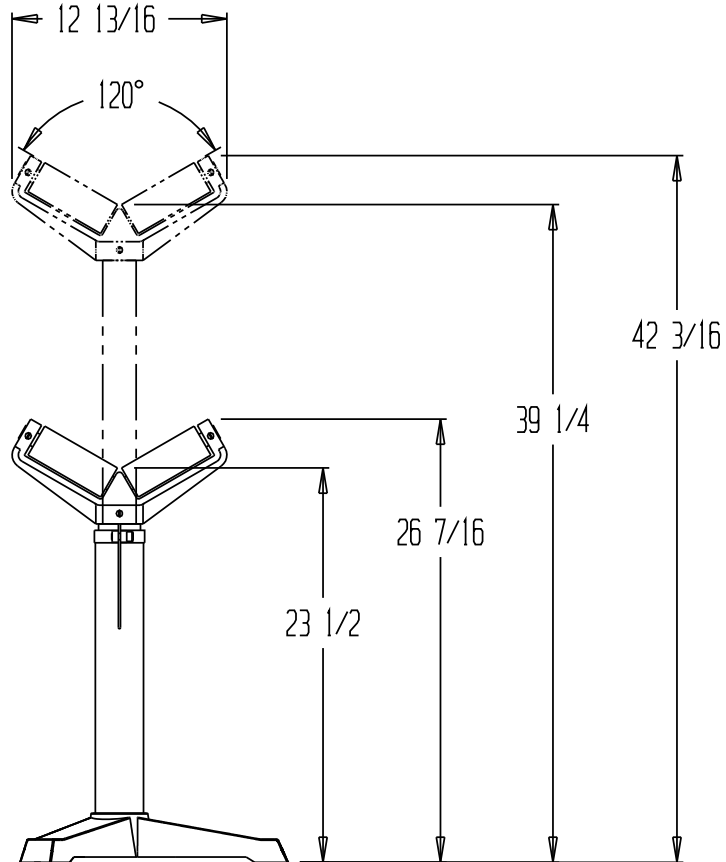
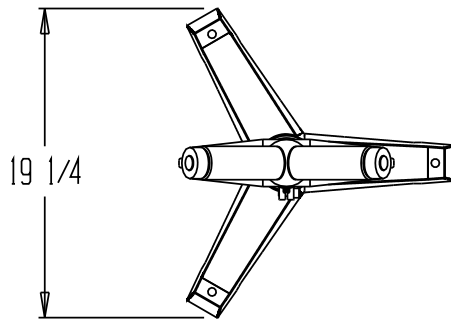


DELUXE ROLLER STAND, STAND-V



STANDARD FEATURES

- MODEL NUMBER: STAND-V
- CAPACITY: 1760 LBS
- LOWERED USABLE HEIGHT(MIN): 23 1/2"
- RAISED USABLE HEIGHT(MAX): 39 1/4"
- OVERALL HEIGHT RAISED: 42 3/16"
- OVERALL HEIGHT LOWERED: 26 7/16"
- (2) 5" V- ROLLERS
- HEAVY-DUTY CAST-ST'L BASE
- ADJUSTABLE HEIGHT
- ROLLERS ARE 2" DIA & CHROME PLATED

SPECIAL FEATURES

NONE

LEAD TIME WILL START UPON
RECEIPT OF SIGNED APPROVAL
DRAWING

Any additions, deletions or omissions must be corrected on this drawing, as this drawing will be considered all inclusive.

**SPECIAL UNITS ARE NON-RETURNABLE
*AVAILABLE AT ADDITIONAL COSTS

*** ALL GRAPHICS PROVIDED ARE FOR REFERENCE ONLY.
IF CERTAIN DIMENSIONS ARE CRITICAL PLEASE VERIFY
THOSE DIMENSIONS WITH YOUR SALESPERSON. ***

APPROVAL

I, the undersigned, hereby approve this print
[] As drawn [] As marked

This includes my approval of design & dimensions.

Signed: _____

Date: _____

DISTRIBUTOR'S NAME: VESTIL MANUFACTURING		P.O.#: -
		W.O.#: -
DRAWN BY: QW	DATE: 7-31-06	SALES: -
REFERENCE: -		DRWG./FILE NAME: STAND-V
SCALE: 1:12		