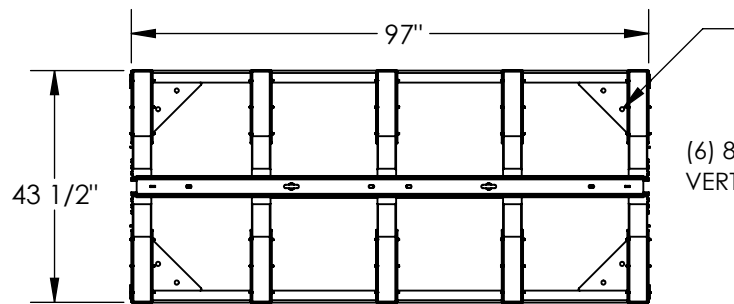


# SLAB TRANSPORT RACK, STATIONARY -STR-S-9764-4

APPROX WEIGHT: 602 lbs.  
DOES NOT INCLUDE WEIGHT OF POWER OR PACKAGING!!!

\*\*\* ANY ADDITIONS, DELETIONS, OR OMISSIONS MUST BE CORRECTED ON THIS DRAWING AS THIS DRAWING WILL BE CONSIDERED ALL INCLUSIVE \*\*\*

ALL GRAPHICS PROVIDED ARE FOR REFERENCE ONLY. IF CERTAIN DIMENSIONS ARE CRITICAL PLEASE VERIFY THOSE DIMENSIONS WITH YOUR SALESPERSON

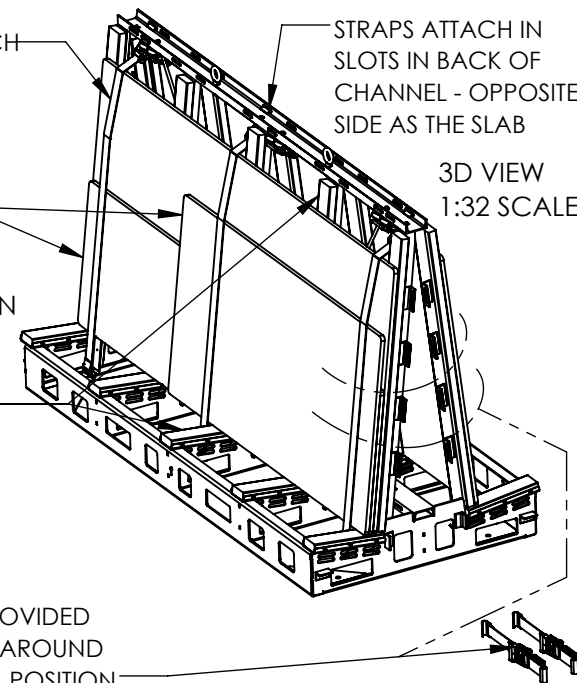


Ø 25/32" (8) HOLES PROVIDED IN BASE FOR SCREWING UNIT TO WOODEN FLOORS OF TRAILERS FOR SHIPPING, 4 LAG SCREWS NEEDED MIN.

(6) 84" LONG STRAPS PROVIDED, ATTACH VERTICALLY USING SLOTS IN FRAME

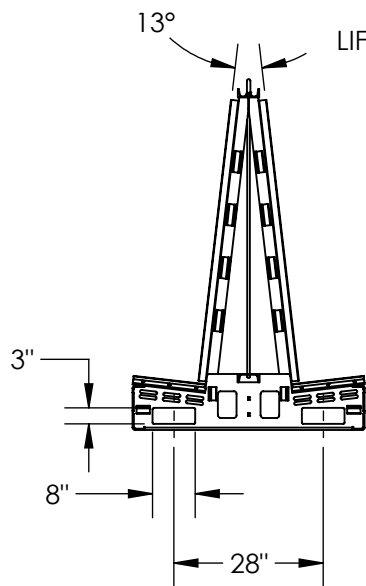
TYPICAL SLABS SHOWN IN POSITION (NOT INCLUDED)

2" X 4" NOMINAL WOODEN BOARDS ATTACHED TO BOTTOM AND BACKS PROTECT PRODUCT

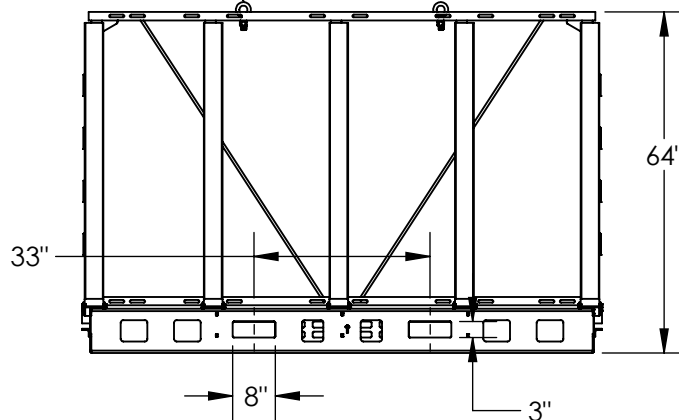


(2) 27' LONG STRAPS PROVIDED TO WRAP COMPLETELY AROUND RACK IN A HORIZONTAL POSITION

DIMENSION TOLERANCE ± 1/4"



LIFTING EYE BOLTS



## STANDARD FEATURES

- MODEL NUMBER IS STR-S-9764-4
- OVERALL WIDTH IS 43 1/2"
- OVERALL LENGTH IS 97"
- OVERALL HEIGHT IS 64"
- MAX CAPACITY IS 4,000 LBS
- WOODEN BOARDS SUPPORT PRODUCT AND PREVENT CONTACT WITH STEEL
- 8" WIDE X 3" HIGH FORK POCKETS SIDES AND ENDS
- RACK MAY BE SECURED TO WOODEN FLOOR OF TRUCK WITH HOLES PROVIDED FOR TRANSPORT
- WELDED STEEL CONSTRUCTION
- TOUGH BAKED IN POWDER COATED BLUE FINISH

## SPECIAL FEATURES

NONE

APPROVAL

I, THE UNDERSIGNED, AGREE THAT THE PRODUCT AS REPRESENTED SATISFIES DESIGN AND DIMENSION REQUIREMENTS. I ALSO ACKNOWLEDGE MY DUTY TO CONFIRM PRODUCT AND INSTALLATION COMPLIANCE WITH ALL APPLICABLE FEDERAL, STATE AND LOCAL REGULATIONS AND STANDARDS.  
**UNITS REQUIRING APPROVAL DRAWINGS OR MODIFIED ARE NON-RETURNABLE**

[ ] As drawn [ ] As marked

Signed: \_\_\_\_\_ Date: \_\_\_\_\_

Printed Name: \_\_\_\_\_

LEAD TIME WILL START UPON RECEIPT OF SIGNED APPROVAL DRAWING

DISTRIBUTOR'S NAME:		P.O.#
VESTIL MANUFACTURING		X
DRAWN BY:	DATE:	W.O.#
MTS	06/23/2021	X
REFERENCE:	SCALE:	SALES:
X	1:36	X
QUOTED LEAD TIME:	QUOTE #	FILE NAME:
X	X	16-007-536