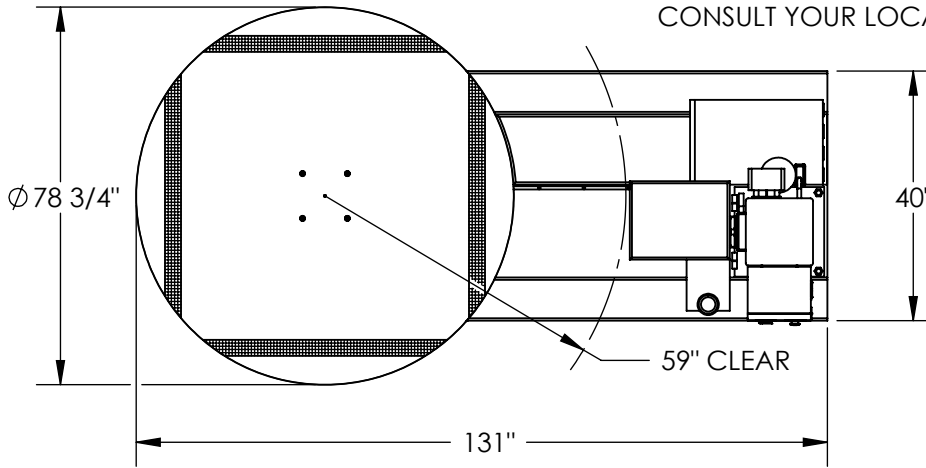


# MEDIUM DUTY, HIGH PERFORMANCE SEMI-AUTOMATIC STRETCH WRAP MACHINE- SWA-82-AW

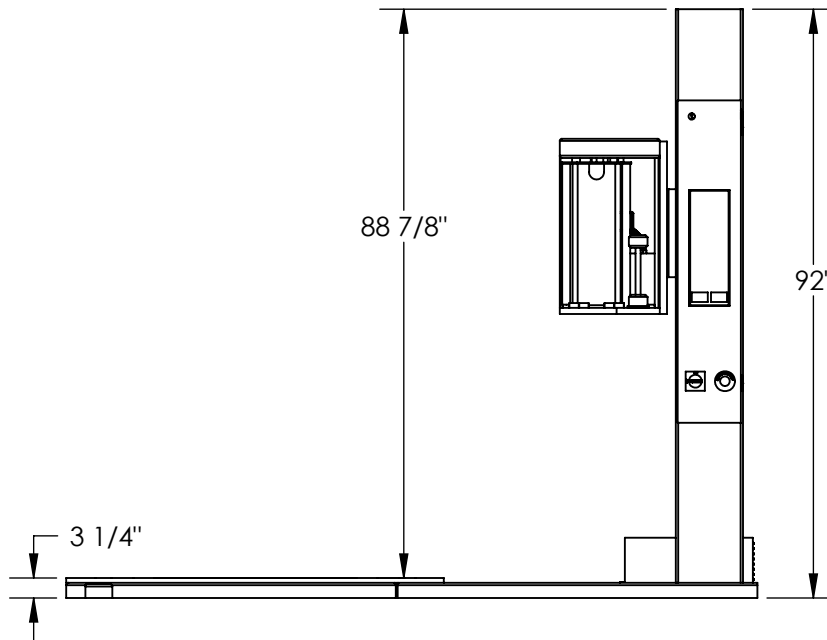
APPROX WEIGHT: 2186 lbs.  
DOES NOT INCLUDE WEIGHT OF POWER OR PACKAGING!!!

\*\*\*ANY ADDITIONS, DELETIONS, OR OMISSIONS MUST BE CORRECTED ON THIS DRAWING AS THIS DRAWING WILL BE CONSIDERED ALL INCLUSIVE\*\*\*

\*\*THE USE OF A GFCI WILL REQUIRE THE USE OF A LINE-REACTOR  
CONSULT YOUR LOCAL ELECTRICAL SUPPLIER FOR DETAILS\*\*



CONTAINER/LOAD MUST BE AT LEAST 20" HIGH



\*115V SUPPLY VOLTAGE;  
INCLUDES 12' LONG POWER CORD  
WITH NEMA 5-15 PLUG  
\*10A AT FULL LOAD

ALL GRAPHICS PROVIDED ARE FOR REFERENCE ONLY. IF CERTAIN DIMENSIONS ARE CRITICAL PLEASE VERIFY THOSE DIMENSIONS WITH YOUR SALESPERSON

DIMENSION TOLERANCE  $\pm 1/4"$

## STANDARD FEATURES

- MODEL NUMBER IS: SWA-82-AW
- CAPACITY IS: 4,000 LBS.
- OVERALL WIDTH IS: 78 3/4"
- OVERALL LENGTH IS: 131"
- OVERALL MAST HEIGHT IS: 92"
- 78 3/4" DIAMETER TOP PLATE
- VARIABLE SPEED CONTROL, 0-13 RPM
- CAN HANDLE FILM ROLLS UP TO 20" LONG
- WRAPS DOWN TO 3" ABOVE TURNTABLE
- APPROXIMATE CRATE SIZE: 84" x 134" x 24" TALL
- TOUGH BAKED IN POWDERCOAT BLUE FINISH

<b>A P P R O V A L</b>	I, THE UNDERSIGNED, AGREE THAT THE PRODUCT AS REPRESENTED SATISFIES DESIGN AND DIMENSION REQUIREMENTS. I ALSO ACKNOWLEDGE MY DUTY TO CONFIRM PRODUCT AND INSTALLATION COMPLIANCE WITH ALL APPLICABLE FEDERAL, STATE AND LOCAL REGULATIONS AND STANDARDS.	
	<b>UNITS REQUIRING APPROVAL DRAWINGS OR MODIFIED ARE NON-RETURNABLE</b>	
	[ ] As drawn [ ] As marked	
	Signed: _____ Date: _____	
Printed Name: _____		
<b>LEAD TIME WILL START UPON RECEIPT OF SIGNED APPROVAL DRAWING</b>		

## SPECIAL FEATURES

NONE

DISTRIBUTOR'S NAME:		P.O.#
<b>VESTIL MANUFACTURING</b>		X
DRAWN BY: TJM		DATE: 11/08/10
REFERENCE: X		SCALE: NTS
QUOTED LEAD TIME: X	QUOTE # X	SALES: X
		FILE NAME: 20-007-104-003