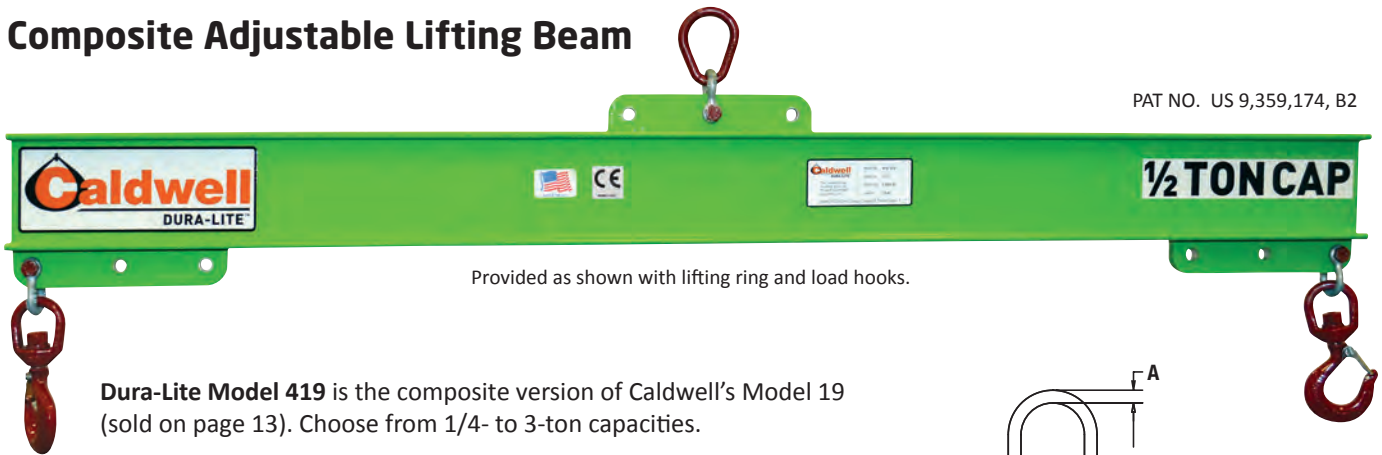


Dura-Lite™ Model 419

Composite Adjustable Lifting Beam

PAT NO. US 9,359,174, B2

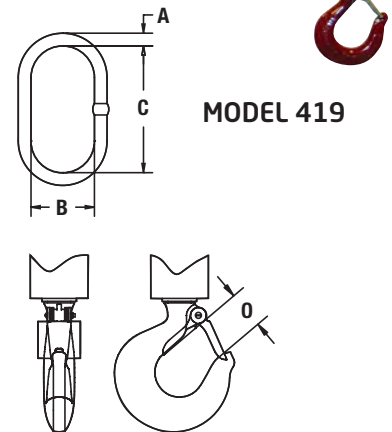


Provided as shown with lifting ring and load hooks.

Dura-Lite Model 419 is the composite version of Caldwell's Model 19 (sold on page 13). Choose from 1/4- to 3-ton capacities.

Product Features:

- Lightweight beam gives you additional load capacity while protecting riggers' backs
- Non-conductive; corrosion-resistant material won't rust
- 1/4- to 3-ton capacities
- Complies with ASME B30.20, design category B, service class 4
- Proof tested with certificate issued
- DURA-LITE™ product is compliant with European Community standards CE



Capacity Metric Tons (Kg.)	Model Number	Spread		Headroom		Beam Only Weight		Weight With Hardware		Bail Dimension Inches (mm)			Hook O
		Inches	Meters	Inches	Meters	Inches	Kilo-grams	Pounds	Kilo-grams	A	B	C	
1/4 (250)	419-1/4-2	24	0.6	13.5	0.3	6	2.7	8	3.6	0.38 (9)	1.5 (38)	2 (51)	0.89 (22)
	419-1/4-3	36	0.9	13.5	0.3	8	3.6	10	4.5				
	419-1/4-4	48	1.2	13.5	0.3	10	4.5	12	5.4				
	419-1/4-6	72	1.8	16.5	0.4	23	10.4	25	11.3				
	419-1/4-8	96	2.4	16.5	0.4	30	13.6	32	14.5				
	419-1/4-10	120	3.0	18.5	0.5	69	22.2	71	23.1				
1/2 (500)	419-1/2-2	24	0.6	13.9	0.4	7	3.2	9	4.1	0.38 (9)	1.5 (38)	1.9 (48)	0.89 (22)
	419-1/2-3	36	0.9	13.9	0.4	9	4.1	11	5.0				
	419-1/2-4	48	1.2	14.9	0.4	12	5.4	14	6.4				
	419-1/2-6	72	1.8	16.9	0.4	25	11.3	27	12.2				
	419-1/2-8	96	2.4	18.9	0.5	58	19.1	60	20.0				
	419-1/2-10	120	3.0	18.9	0.5	77	34.9	79	35.8				
1 (1000)	419-1-2	24	0.6	19.6	0.5	9	4.1	15	6.8	0.62 (16)	2.8 (71)	4.5 (114)	0.89 (23)
	419-1-3	36	0.9	19.6	0.5	11	5.0	17	7.7				
	419-1-4	48	1.2	21.6	0.5	19	8.6	25	11.3				
	419-1-6	72	1.8	23.6	0.6	46	15.4	51	17.7				
	419-1-8	96	2.4	23.6	0.6	62	28.1	67	30.4				
2 (2000)	419-2-2	24	0.6	21.9	0.6	15	6.8	24	10.9	0.62 (16)	2.8 (71)	4.3 (110)	0.91 (23)
	419-2-3	36	0.9	24.1	0.6	24	10.9	33	15.0				
	419-2-4	48	1.2	25.9	0.7	43	20.9	52	25.4				
	419-2-6	72	1.8	25.9	0.7	55	27.2	64	31.3				
3 (3000)	419-3-2	24	0.6	24.9	0.6	21	9.5	32	14.5	0.62 (16)	2.8 (71)	4.3 (110)	1 (25)
	419-3-3	36	0.9	24.9	0.6	24	10.9	35	15.9				
	419-3-4	48	1.2	26.6	0.7	43	20.9	53	26.3				

As Strong As Steel?

Watch the Dura-Lite Destruction Test

We test a 640-lb. spreader beam with a 120" spread at a Yarbrough Cable facility ... just to see what happens! Can you guess?

<https://bit.ly/duralite>

