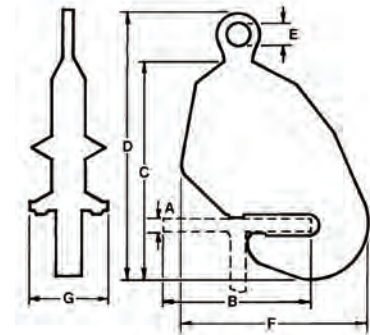


Model SEA

Locking Type

The Model SEA is a clamp used primarily for erection of structural beams. Configuration of the lower hook assembly and the over center position of the shackle permits a clamp to grip closer to the beam web, stabilizing the load and holding it with the web near horizontal for easy alignment of bolt holes.

The clamp incorporates a “Lock Open” and “Lock Closed” feature which facilitates in attaching and removing the clamp from the beam.



MODEL SEA SPECIFICATIONS (in inches)

Part Number	Plate Thickness A	Flange Width B	C	Max. D	E	F	G	Weight (lbs.)
1 Tons Capacity								
SEA-01.00-A	0 – 3/4	3 – 8	11-5/16	17-1/8	1-1/8	9-1/4	5-7/8	22
2 Tons Capacity								
SEA-02.00-A	0 – 1	5 – 12	17-1/2	21-1/2	1-1/2	14-1/8	6-7/8	73
4 Tons Capacity								
SEA-04.00-A	0 – 1	7 – 14	19-3/4	27-1/2	1-3/4	17-7/8	8-11/16	116
SEA-04.00-B	3/4 – 1-3/4	7 – 14	20-1/2	28-1/4	1-3/4	17-7/8	8-11/16	120
8 Tons Capacity								
SEA-08.00-A	0 – 1-1/2	10 – 20	25-1/2	31	2	21-1/2	9-3/4	200
SEA-08.00-B	1 – 2-1/2	10 – 20	26-1/2	32	2	21-1/2	9-3/4	204
15 Tons Capacity								
SEA-15.00-A	3/4 – 2-1/4	10 – 20	31	41-1/2	3-3/4	21-1/2	10-3/4	343
SEA-15.00-B	2 – 3-1/2	10 – 20	32-1/4	42-3/4	3-3/4	21-1/2	10-3/4	345

Consult factory for possible larger capacities. SPECIFICATIONS ARE SUBJECT TO CHANGE WITHOUT NOTICE.