

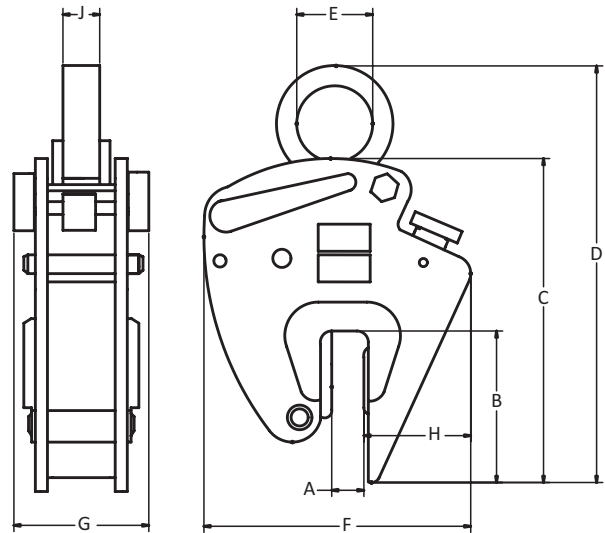
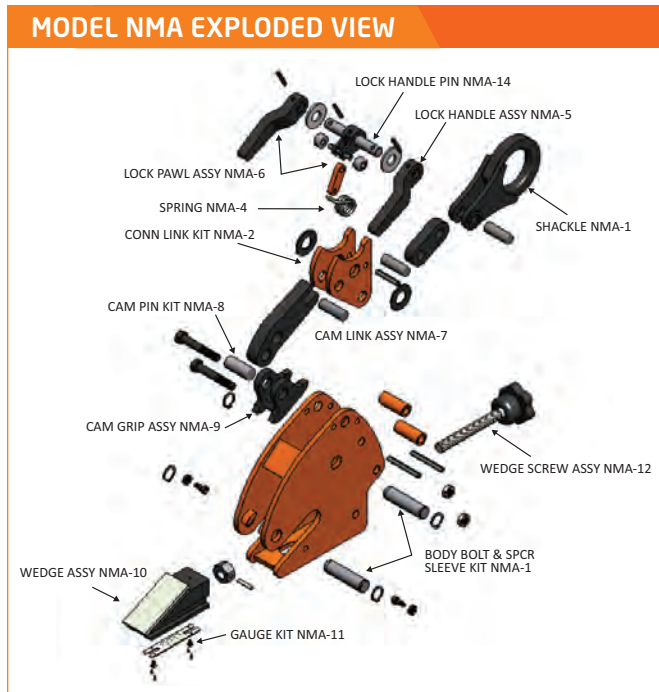
# Model NMA

## Locking Type

The **Model NMA** is a non-marring clamp with smooth gripping pads that can lift hard surface materials. Materials with sensitive finishes such as stainless steel, copper, aluminum and polished metal plates can also be lifted. The clamp incorporates a locking feature which enables the clamp gripping jaws to be “Locked Open” for attaching and removing the clamp from the material being lifted and to be “Locked Closed” for turning material through 180°. It is recommended these clamps be used in pairs.



Non-marring with 180-degree turn and wedge jaw to more easily lift stacked plates.



### MODEL NMA SPECIFICATIONS (in inches)

Part Number	Plate Thickness A	B	C	D	E	Max. F	G	H	J	Weight (lbs.)
<b>1/2 Tons Capacity</b>										
NMA-00.50-A	0 – 1/2	3-7/16	7-26/32	12-1/16	2	7-1/4	4-1/4	2-15/16	1/2	16
<b>1 Tons Capacity</b>										
NMA-01.00-A	0 – 3/4	4-3/4	11-3/8	16-13/16	2-5/8	9-5/8	5-1/16	4-5/8	5/8	27
<b>2 Tons Capacity</b>										
NMA-02.00-A	0 – 1	5-1/2	12-7/8	20-1/8	3	11-1/2	6	4-15/32	3/4	53
<b>4 Tons Capacity</b>										
NMA-04.00-A	1/4 – 1-1/4	6-31/32	14-7/16	22-1/4	3-5/8	11-11/16	6	4-7/8	1	63-1/2
NMA-04.00-B	1 – 2	6-31/32	14-7/16	22-1/4	3-5/8	12-13/16	6	4-7/8	1	65-1/2

Consult factory for possible larger capacities. SPECIFICATIONS ARE SUBJECT TO CHANGE WITHOUT NOTICE.