

# Model NMBL

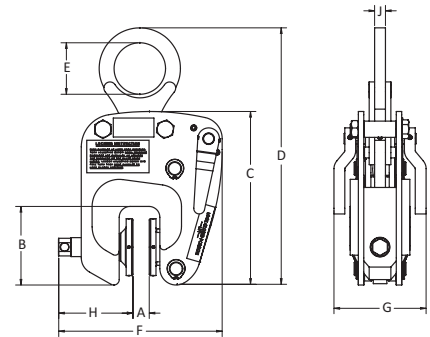
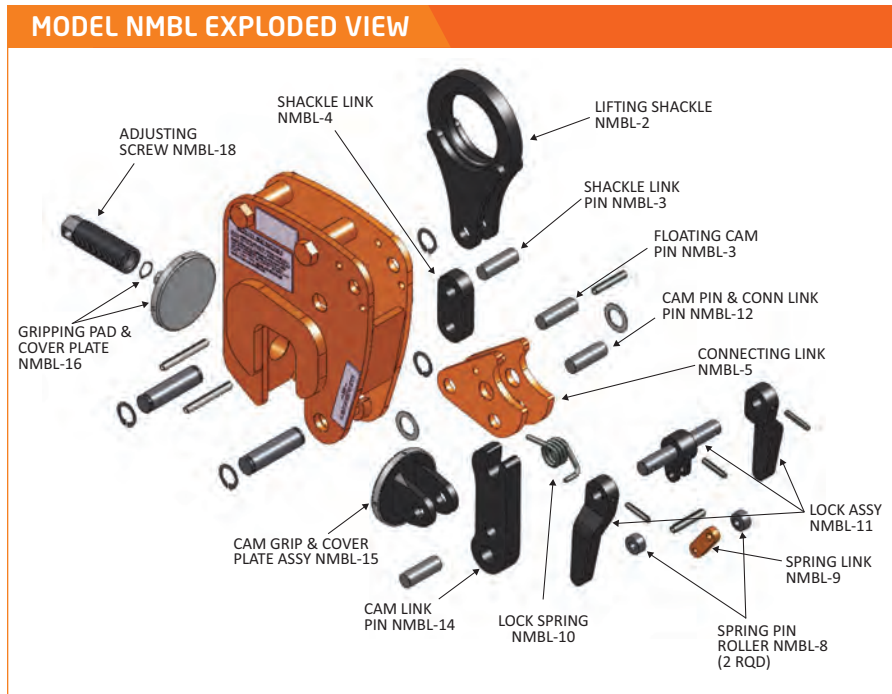
## Locking Type

The NMBL Model is used to turn plates from the horizontal through a 180° arc. It is manufactured with smooth gripping surfaces to prevent marring when gripping stainless steel, copper, aluminum and other polished metal plates. The NMBL incorporates a lock open – lock closed feature to facilitate attaching and removing the clamp from the plate.



Recommended for use in pairs.

Non-marring with 180-degree turn. Stainless steel gripping component good for polished surfaces.



### Made in the USA

All RENFROE clamps are proudly made by skilled craftspeople in our Rockford, IL, manufacturing headquarters.



#### MODEL NMBL SPECIFICATIONS (in inches)

Part Number	Plate Thickness A	B	C	D	E	Max. F	G	H	J	Weight (lbs.)
<b>1/2 Tons Capacity</b>										
NMBL-00.50-A	0 – 5/8	3-5/8	8	12-5/16	2-3/8	7-5/8	4-1/4	3-7/16	1/2	15.3
<b>1 Tons Capacity</b>										
NMBL-01.00-A	0 – 3/4	3-5/8	8	11-7/8	2-3/8	7-9/16	4-1/4	3-7/16	1/2	17.4
<b>2 Tons Capacity</b>										
NMBL-02.00-A	0 – 2	4-7/8	10-7/8	17-9/16	3	12-1/32	5-1/2	5-7/16	3/4	31
<b>4 Tons Capacity</b>										
NMBL-04.00-A	1/4 – 1-1/2	7-11/64	16-3/16	23-25/32	3	6-1/4	8-1/2	8-9/64	1-1/4	126

Consult factory for possible larger capacities. SPECIFICATIONS ARE SUBJECT TO CHANGE WITHOUT NOTICE.