

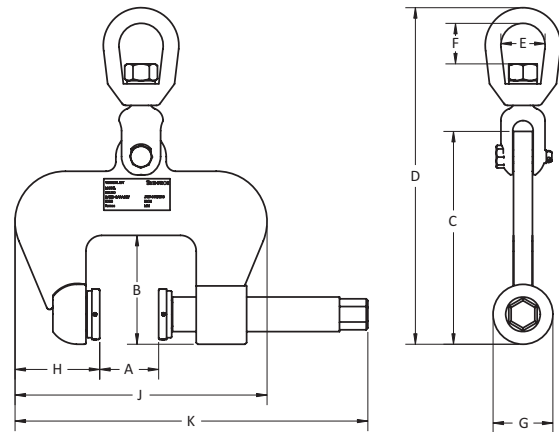
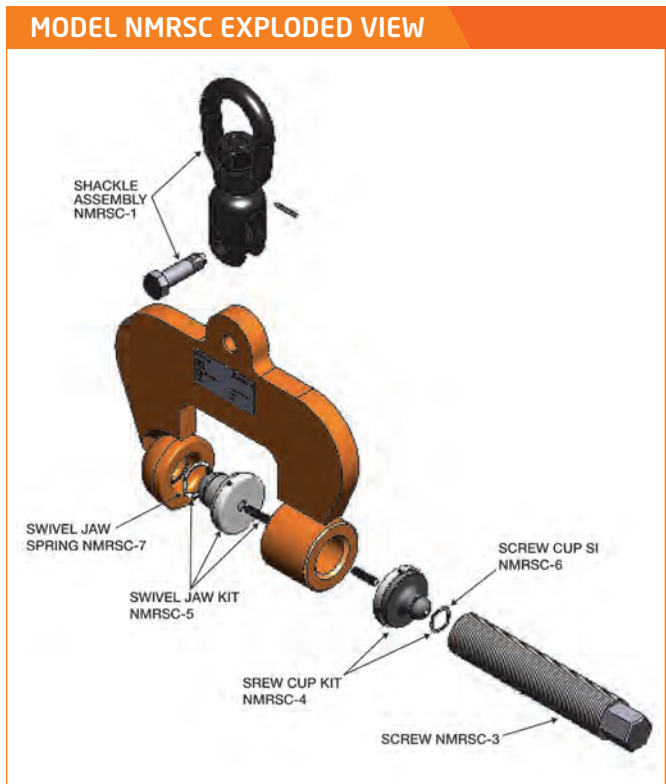
Model NMRSC

Locking, Screw Type

The Model NMRSC is a lightweight screw clamp for bench work on steel plates of large thickness, and weighing 1000 lbs. or less. Supplied with smooth gripping surfaces to prevent marring when gripping stainless steel, copper, aluminum and other polished metal plates.

Recommended for use in pairs.

Non-marring clamp; use in pairs.



MODEL NMRSC SPECIFICATIONS (in inches)

Part Number	Plate Thickness A	B	C	D	E	F	G	H	J	K	Weight (lbs.)
300 lbs. Capacity											
NMRSC-300-A	1/4 – 2-1/2	2-3/8	5-5/8	10	1-1/2	1-3/8	2-3/4	2-1/2	6-5/16	8.00	6.47
500 lbs. Capacity											
NMRSC-500-A	3 – 7	4.32	6-7/8	12-9/16	1-1/2	1-3/8	2-3/8	2-3/16	14.00	18-1/2	18.5
1/2 Tons Capacity											
NMRSC-00.50-A	0 – 3	4-5/16	8-1/16	13-3/8	1-3/4	1-9/16	2-3/8	3-3/8	10	14	16.3
NMRSC-00.50-B	1-3/8 – 4-1/4	4-5/16	8-1/16	13-3/8	1-3/4	1-9/16	2-3/8	3-3/8	11-3/16	15-15/16	17.0
NMRSC-00.50-C	3 – 8	4-5/16	9-1/8	13-1/4	1-1/2	1-3/8	2-3/8	3-5/16	15-3/16	21-9/16	23.3
NMRSC-00.50-D	8 – 12	4-1/8	7-9/16	12	1-1/2	1-3/8	2-3/8	3-5/16	19-1/16	20-5/8	31.2

Consult factory for possible larger capacities. SPECIFICATIONS ARE SUBJECT TO CHANGE WITHOUT NOTICE.