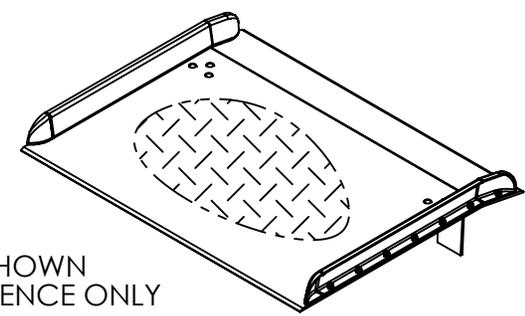
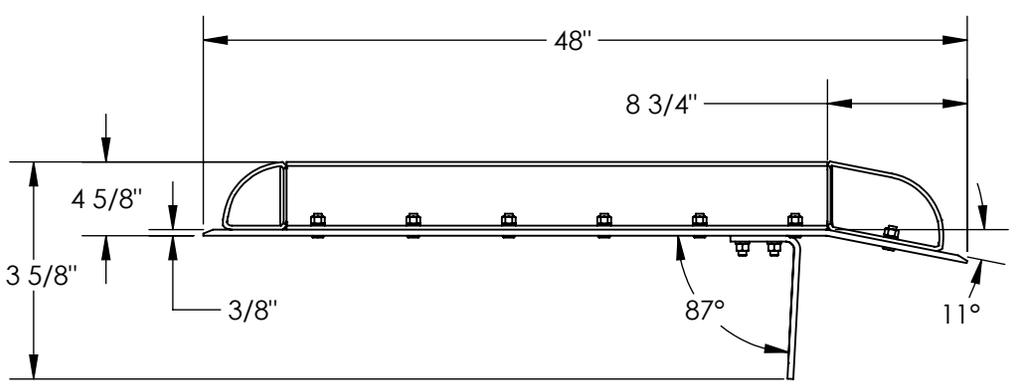
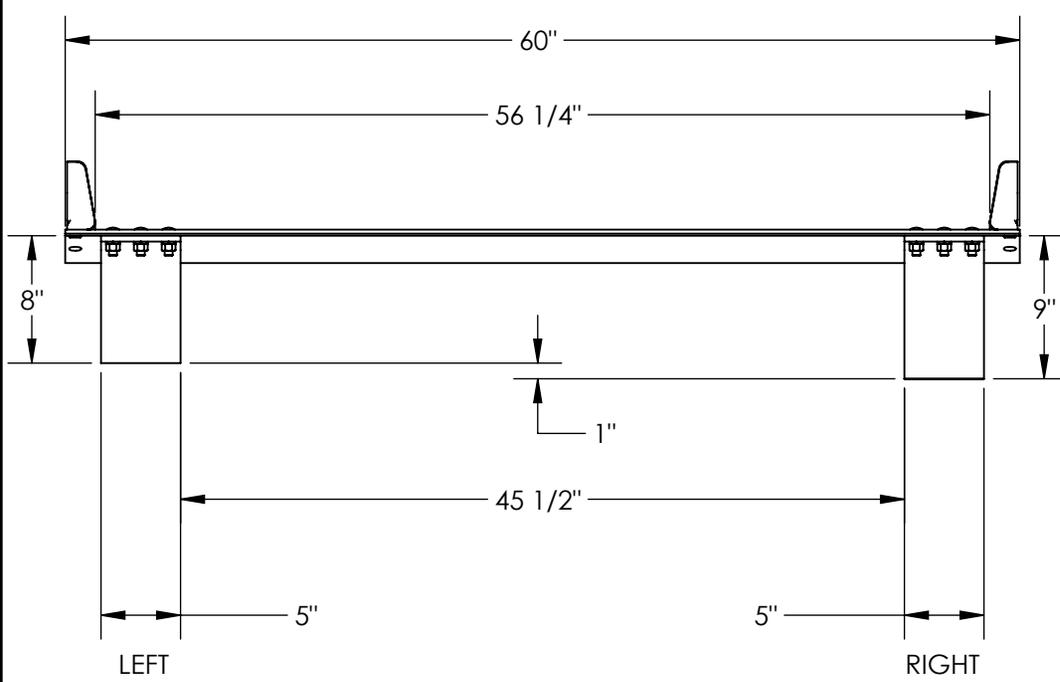


ALUMINUM TRUCK DOCKBOARD WITH STEEL SAFETY CURB - TAS-15-6048

APPROX WEIGHT: 160.28 lbs.
 DOES NOT INCLUDE WEIGHT OF POWER OR PACKAGING!!!

*** ANY ADDITIONS, DELETIONS, OR OMISSIONS MUST BE CORRECTED ON THIS DRAWING AS THIS DRAWING WILL BE CONSIDERED ALL INCLUSIVE ***
 ALL GRAPHICS PROVIDED ARE FOR REFERENCE ONLY. IF CERTAIN DIMENSIONS ARE CRITICAL PLEASE VERIFY THOSE DIMENSIONS WITH YOUR SALESPERSON



3D VIEW SHOWN FOR REFERENCE ONLY

LEGS: RIGHT LEG IS 9" LG, LEFT LEG IS 8" LG. LEGS ARE UNEVEN TO CREATE A GAP SO DOCKBOARD CAN BE PICKED UP BY A FORK LIFT

STANDARD FEATURES

- MODEL NUMBER IS: TAS-15-6048
- MAX CAPACITY IS: 15,000 LBS
- OVERALL WIDTH IS: 60"
- USABLE WIDTH IS: 56 1/4"
- OVERALL LENGTH IS: 48"
- USABLE LENGTH IS: 45 1/2"
- OVERALL HEIGHT IS: 13 5/8"
- DOCKPLATE THICKNESS: 3/8"
- CROWN IS 11° & 8 3/4" FROM EDGE
- HEIGHT DIFFERENCE IS: 7"
- ALUMINUM CONSTRUCTION WITH BOLT-ON STEEL CURBS

SPECIAL FEATURES

NONE

DIMENSION TOLERANCE ± 1/4"

A P P R O V A L	I, THE UNDERSIGNED, AGREE THAT THE PRODUCT AS REPRESENTED SATISFIES DESIGN AND DIMENSION REQUIREMENTS. I ALSO ACKNOWLEDGE MY DUTY TO CONFIRM PRODUCT AND INSTALLATION COMPLIANCE WITH ALL APPLICABLE FEDERAL, STATE AND LOCAL REGULATIONS AND STANDARDS.	
	UNITS REQUIRING APPROVAL DRAWINGS OR MODIFIED ARE NON-RETURNABLE	
	<input type="checkbox"/> As drawn	<input type="checkbox"/> As marked
Signed: _____ Date: _____		
Printed Name: _____		
<i>LEAD TIME WILL START UPON RECEIPT OF SIGNED APPROVAL DRAWING</i>		

DISTRIBUTOR'S NAME:		P.O.#
VESTIL MANUFACTURING		X
DRAWN BY: MTS		DATE: 09/11/2014
REFERENCE: X		SALES: X
QUOTED LEAD TIME: X		SCALE: 1:12
QUOTE # X		FILE NAME: 11-007-040