

LINEAR ACTUATORS

Series TMD

CAPACITY:	100 - 250 lbs (444 - 1112 N)
SPEED:	0.4 - 1.0 in/s
VOLTAGE:	12 or 24 VDC
TEMPERATURE RANGE:	25°F - 120°F (-4°C - 50°C)
ENVIRONMENTAL RATING:	IP50 protection

Low temperature grease available please consult the factory

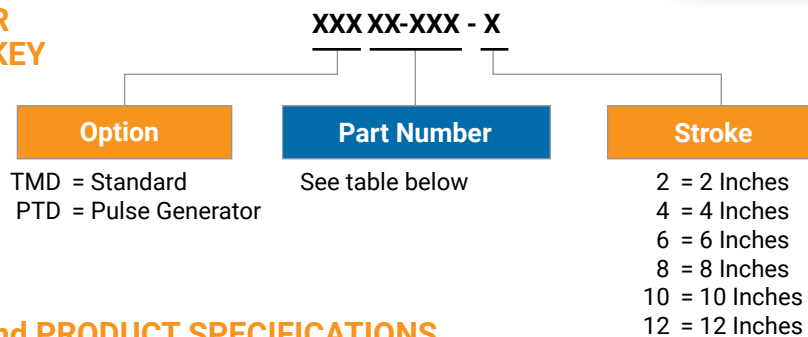
FEATURES & BENEFITS

- Ideal for applications with light loads and limited space
- Belt drive for quiet operation
- Corrosion resistant housing
- Keyed translating tube eliminates the need for restraining torque
- Terminal strip for easy limit switch integration

OPTIONS

- Adjustable limit switch for safe and repeatable positioning
- Pulse generator for precise positioning feedback

CATALOG NUMBER CONFIGURATION KEY



Example:
TMD01-1906 -10 =
 Standard, 12 VDC, 100
 lb load, 10 inch stroke

PART NUMBERS and PRODUCT SPECIFICATIONS

Part Number	Voltage	Dynamic Rated Load	Max Stroke Length	Speed at Rated Load	Current Draw at Rated Load	Temperature Range	Duty Cycle at Rated Load	Screw Type	Limit Switches
#	V	lbs	in	in/s	A	°F	%	Type	
01-1406	12 VDC	100	12	0.70	7	25 to 120	25%	ACME	-
01-1906	12 VDC	100	12	0.70	7	25 to 120	25%	ACME	Included
02-1406	12 VDC	250	12	0.40	7	25 to 120	25%	ACME	-
02-1906	12 VDC	250	12	0.40	7	25 to 120	25%	ACME	Included
01-2406	24 VDC	100	12	1.00	5	25 to 120	25%	ACME	-
01-2906	24 VDC	100	12	1.00	5	25 to 120	25%	ACME	Included
02-2406	24 VDC	250	12	0.75	4.5	25 to 120	25%	ACME	-
02-2906	24 VDC	250	12	0.75	4.5	25 to 120	25%	ACME	Included



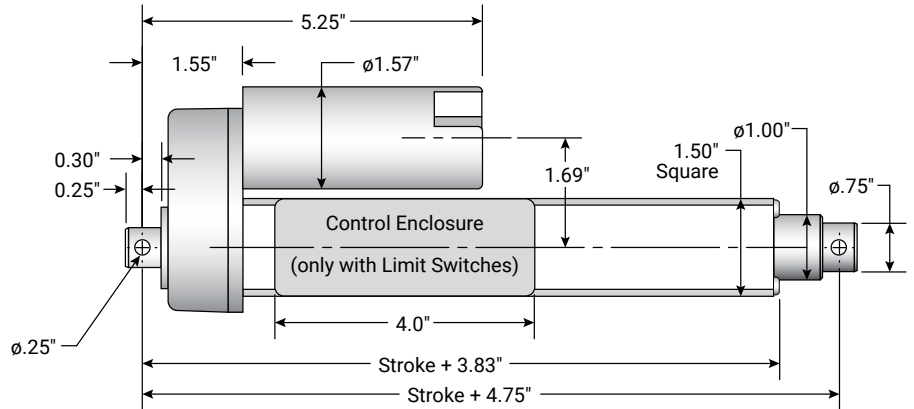
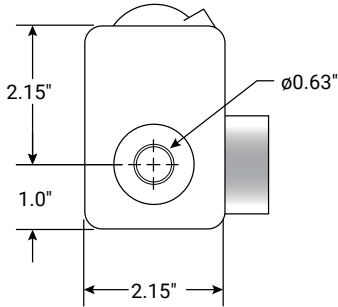
TMD01



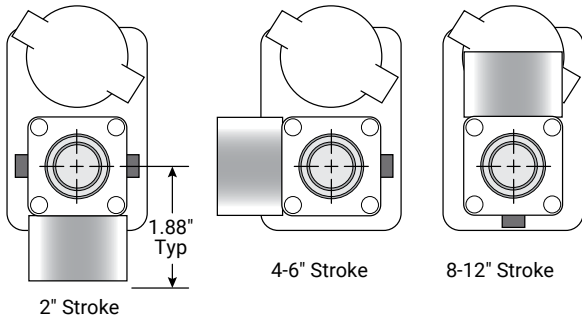
TMD02

DIMENSIONAL DRAWINGS and WIRING DIAGRAMS

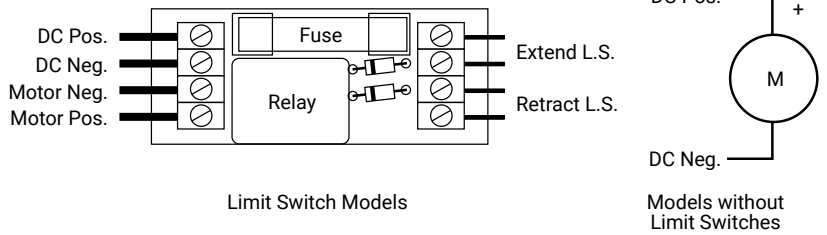
TMD01



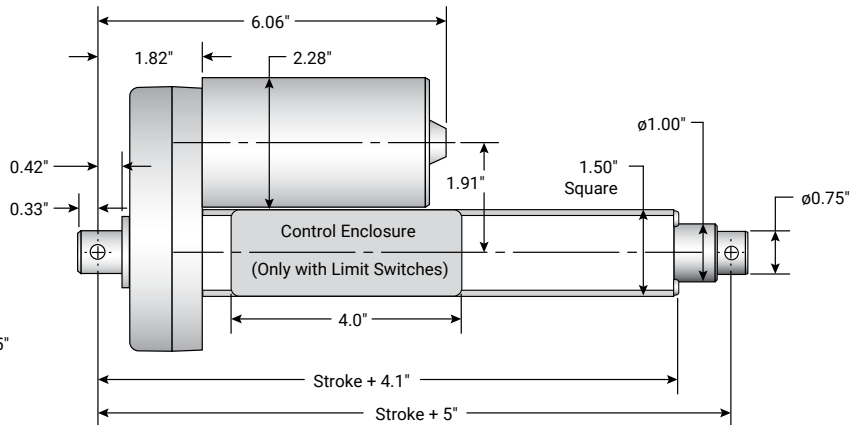
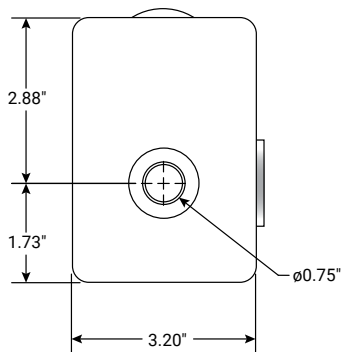
Control Enclosure Locations



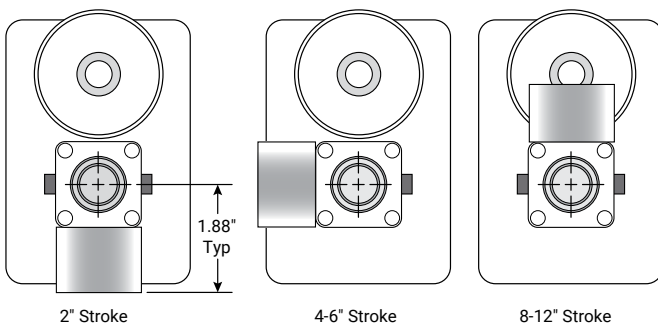
Polarity as shown to extend



TMD02



Control Enclosure Locations



Polarity as shown to extend

