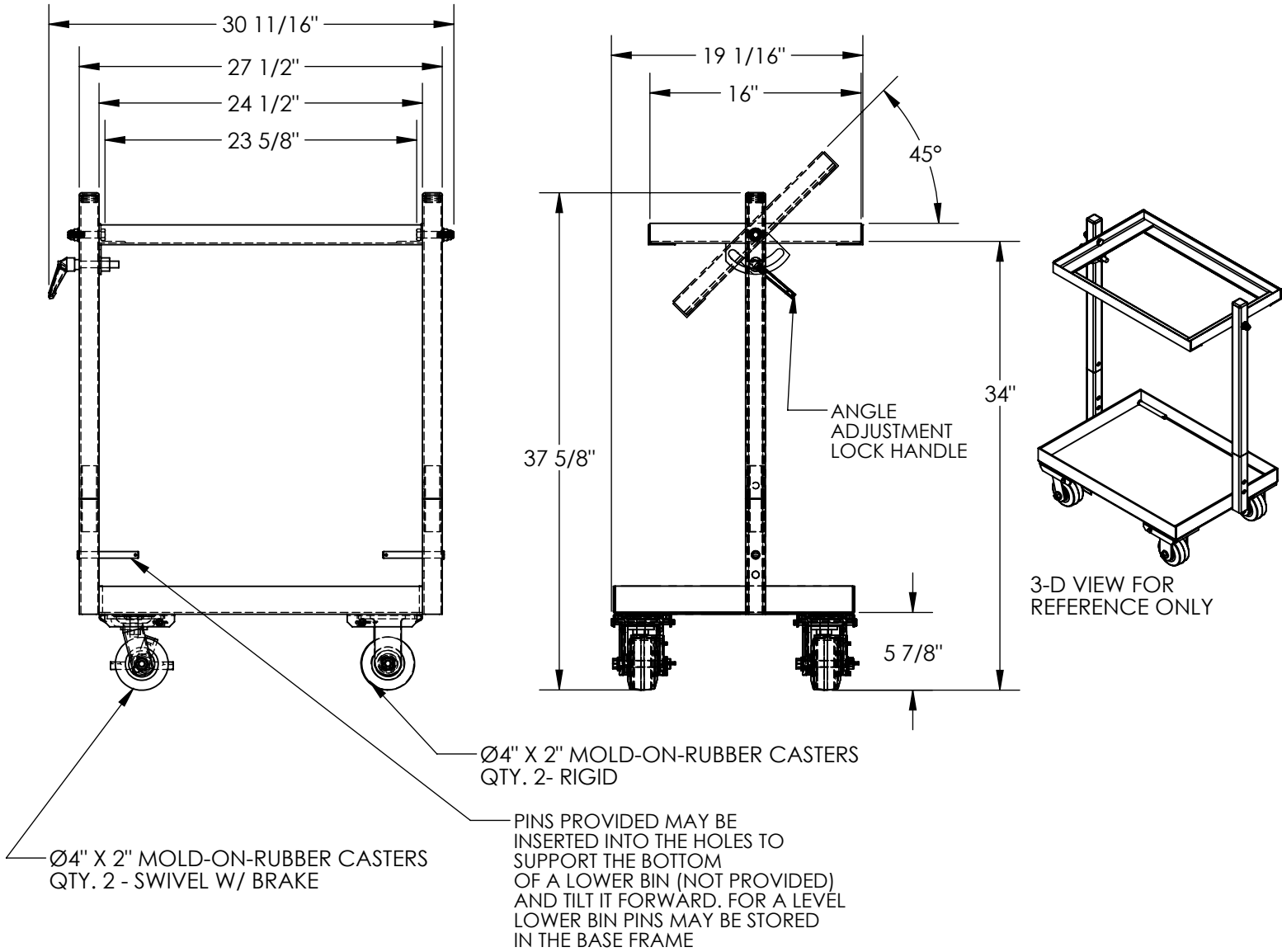


MULTI-TIER STOCK CART - TSCT-2

APPROX WEIGHT: 69.78 lbs.
DOES NOT INCLUDE WEIGHT OF POWER OR PACKAGING!!!

ANY ADDITIONS, DELETIONS, OR OMISSIONS MUST BE CORRECTED ON THIS DRAWING AS THIS DRAWING WILL BE CONSIDERED ALL INCLUSIVE



ALL GRAPHICS PROVIDED ARE FOR REFERENCE ONLY. IF CERTAIN DIMENSIONS ARE CRITICAL PLEASE VERIFY THOSE DIMENSIONS WITH YOUR SALESPERSON DIMENSION TOLERANCE ± 1/4"

STANDARD FEATURES

MODEL NUMBER IS TSCT-2
 OVERALL HEIGHT: 37 5/8"
 OVERALL WIDTH: 30 11/16"
 OVERALL DEPTH: 19 1/16"
 UPRIGHT TO UPRIGHT WIDTH: 24 1/2"
 USABLE SHELF SIZE: 16" x 23 5/8"
 UNIFORM STATIC CAPACITY: 200 LBS
 CAPACITY PER SHELF: 100 LBS
 (MUST BE LOADED BOTTOM UP)
 SHELF TILT: 45°
 INCLUDES (2) 4" x 2" RIGID CASTERS
 & (2) 4" x 2" SWIVEL W/BRAKE CASTERS
 TOUGH BAKED IN POWDER COATED
 BLUE FINISH

SPECIAL FEATURES

NONE

APPROVAL

I, THE UNDERSIGNED, AGREE THAT THE PRODUCT AS REPRESENTED SATISFIES DESIGN AND DIMENSION REQUIREMENTS. I ALSO ACKNOWLEDGE MY DUTY TO CONFIRM PRODUCT AND INSTALLATION COMPLIANCE WITH ALL APPLICABLE FEDERAL, STATE AND LOCAL REGULATIONS AND STANDARDS.

UNITS REQUIRING APPROVAL DRAWINGS OR MODIFIED ARE NON-RETURNABLE

[] As drawn [] As marked

Signed: _____ Date: _____

Printed Name: _____

LEAD TIME WILL START UPON RECEIPT OF SIGNED APPROVAL DRAWING

DISTRIBUTOR'S NAME:		P.O.#
VESTIL MANUFACTURING		X
DRAWN BY: WHR		W.O.#
DATE: 07/23/2012		X
REFERENCE: X	SCALE: 1:12	SALES: X
QUOTED LEAD TIME: X	QUOTE # X	FILE NAME:
		16-007-326