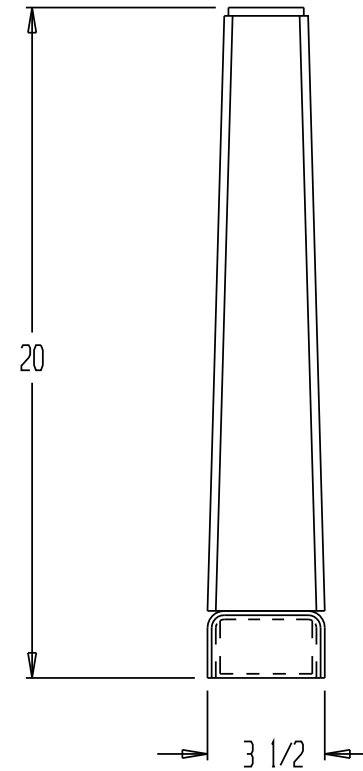
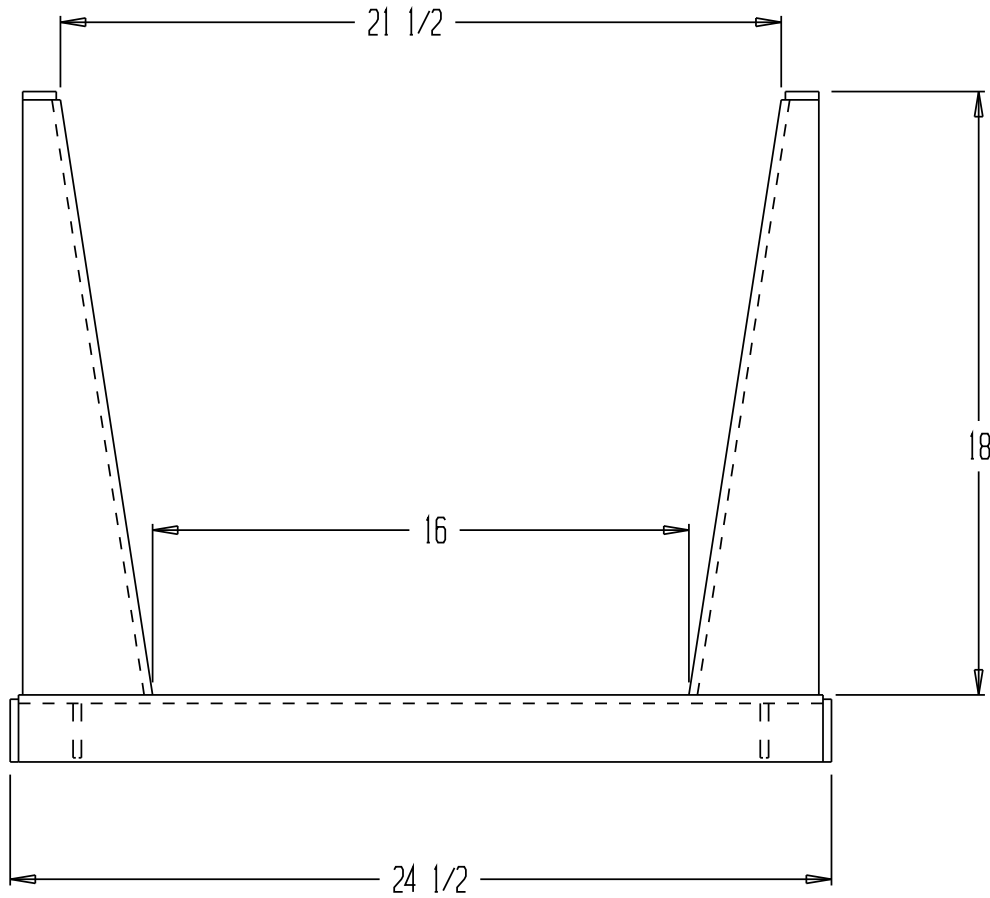


# PORTABLE STORAGE RACK, U-RACK-6



Any additions, deletions or omissions must be corrected on this drawing, as this drawing will be considered all inclusive.

All graphics provided are for reference only. If certain dimensions are critical please verify those dimensions with your salesperson

## STANDARD FEATURES

- MODEL NUMBER: U-RACK-6
- OVERALL WIDTH: 24 1/2"
- OVERALL DEPTH: 3 1/2"
- OVERALL HEIGHT: 20"
- USABLE BOTTOM WIDTH: 16"
- USABLE TOP WIDTH: 21 1/2"
- USABLE HEIGHT: 18"
- CAPACITY IS 3,000 LBS PER UNIT AND 6,000 LBS PER VERTICAL STACK

## SPECIAL FEATURES

I, THE UNDERSIGNED, AGREE THAT THE PRODUCT AS REPRESENTED SATISFIES DESIGN & DIMENSION REQUIREMENTS. I ALSO ACKNOWLEDGE MY DUTY TO CONFIRM PRODUCT & INSTALLATION COMPLIANCE WITH ALL APPLICABLE FEDERAL, STATE AND LOCAL REGULATIONS & STANDARDS.

**ALL SPECIAL UNITS ARE NON-RETURNABLE**

As drawn       As marked

Signed: \_\_\_\_\_ Date: \_\_\_\_\_

Printed Name: \_\_\_\_\_

LEAD TIME WILL START UPON RECEIPT OF SIGNED APPROVAL DRAWING

FOR INTERNAL USE ONLY PROJECT SIGN OFF	
SALES	
ENG.	
FAB.	
POWER	

DISTRIBUTOR'S NAME: <b>VESTIL MFG</b>		P.O.#: -
DRAWN BY: SR		DATE: 10-22-04
REFERENCE: -	SCALE: 1:6	SALES: -
QUOTED LEADTIME: -	QUOTE #: -	DRWG./FILE NAME: 31-007-034