

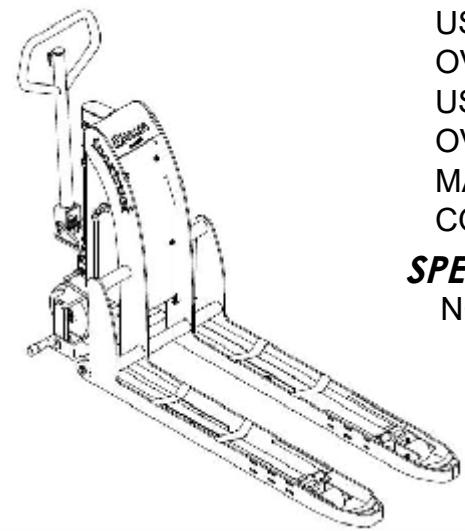
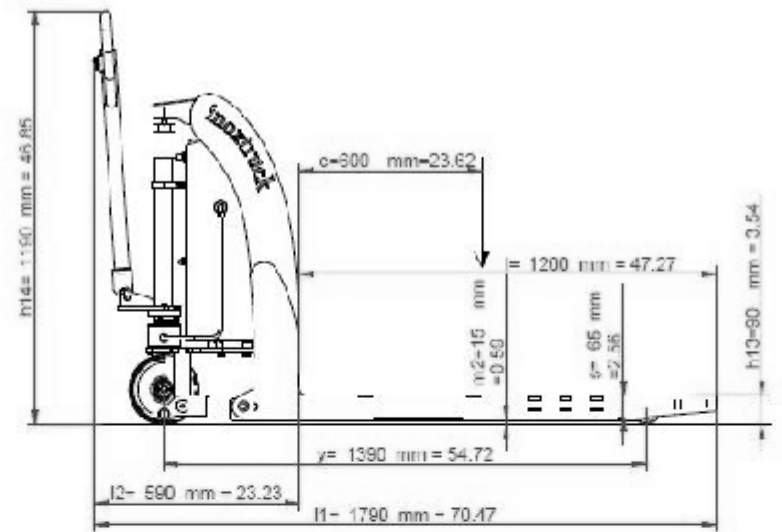
HIGH TOTE LIFTER ELECTRIC STAINLESS STEEL - ULM-HTL-2149-20

APPROX WEIGHT: 258 lbs.

DOES NOT INCLUDE WEIGHT OF POWER OR PACKAGING!!!

*** ANY ADDITIONS, DELETIONS, OR OMISSIONS MUST BE CORRECTED ON THIS DRAWING AS THIS DRAWING WILL BE CONSIDERED ALL INCLUSIVE ***

ALL GRAPHICS PROVIDED ARE FOR REFERENCE ONLY. IF CERTAIN DIMENSIONS ARE CRITICAL PLEASE VERIFY THOSE DIMENSIONS WITH YOUR SALESPERSON

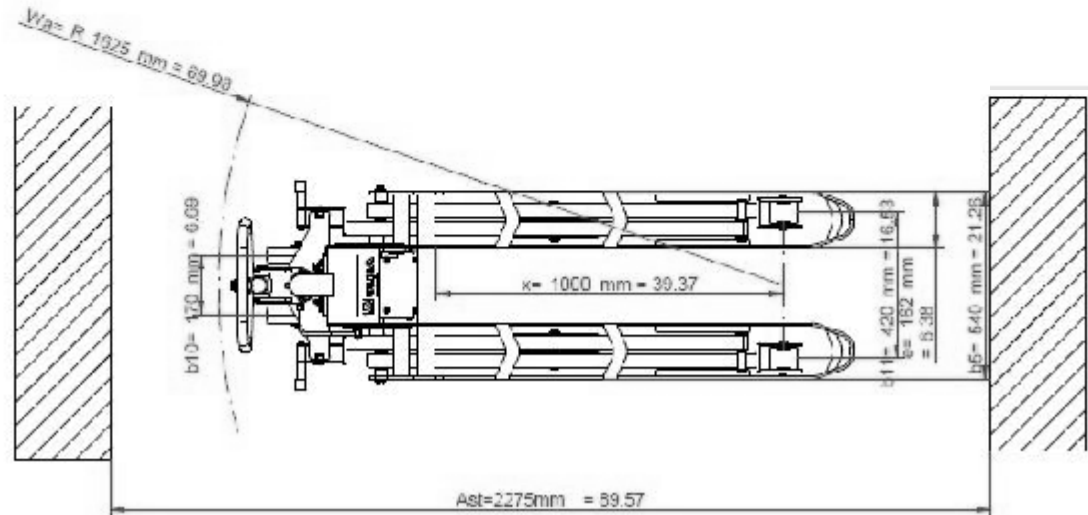


STANDARD FEATURES

- MODEL NUMBER IS ULM-HTL-2149-20
- USABLE WIDTH IS 21.26"
- OVERALL LENGTH IS 70.47"
- USABLE LENGTH IS 47.27"
- OVERALL HEIGHT IS 46.85"
- MAX CAPACITY IS 2200 LBS
- COLOR IS STAINLESS STEEL 304

SPECIAL FEATURES

NONE



DIMENSION TOLERANCE ± 1/4"

APPROVAL

I, THE UNDERSIGNED, AGREE THAT THE PRODUCT AS REPRESENTED SATISFIES DESIGN AND DIMENSION REQUIREMENTS. I ALSO ACKNOWLEDGE MY DUTY TO CONFIRM PRODUCT AND INSTALLATION COMPLIANCE WITH ALL APPLICABLE FEDERAL, STATE AND LOCAL REGULATIONS AND STANDARDS.

UNITS REQUIRING APPROVAL DRAWINGS OR MODIFIED ARE NON-RETURNABLE

[] As drawn [] As marked

Signed: _____ Date: _____

Printed Name: _____

LEAD TIME WILL START UPON RECEIPT OF SIGNED APPROVAL DRAWING

FOR INTERNAL USE ONLY PROJECT SIGN OFF	
SALES	
ENG.	
FAB.	
POWER	

DISTRIBUTOR'S NAME:		P.O.#
VESTIL MANUFACTURING		X
W.O.#		X
DRAWN BY:	DATE:	SALES:
SJG	1/8/2018	X
REFERENCE:	SCALE:	FILE NAME:
X	1:1	ULM-HTL-2149-20
QUOTED LEAD TIME:	QUOTE #	
X	X	