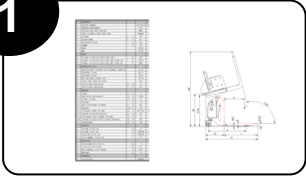


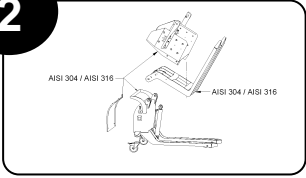
**OPERATOR
AND
MAINTENANCE
MANUAL
ELECTROMANUAL TILTER
EBT**

1



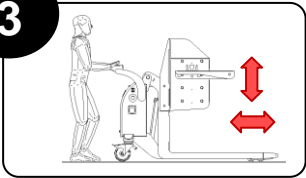
.....1

2



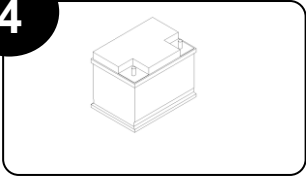
.....2

3



.....3

4



.....9

5



.....10

6



.....12

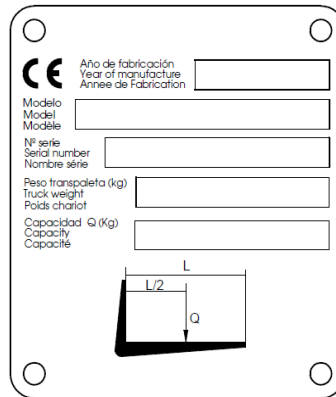
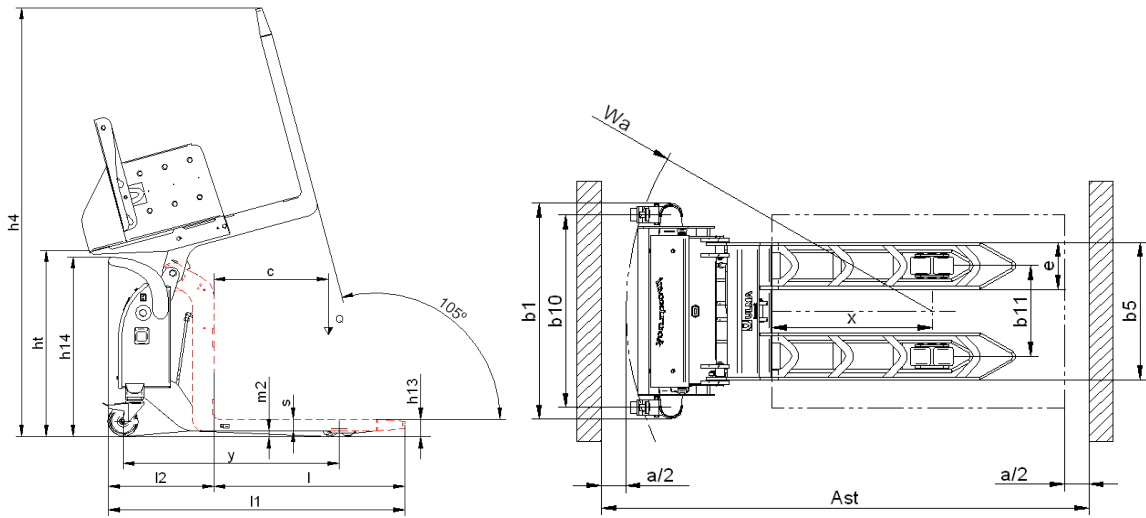
7



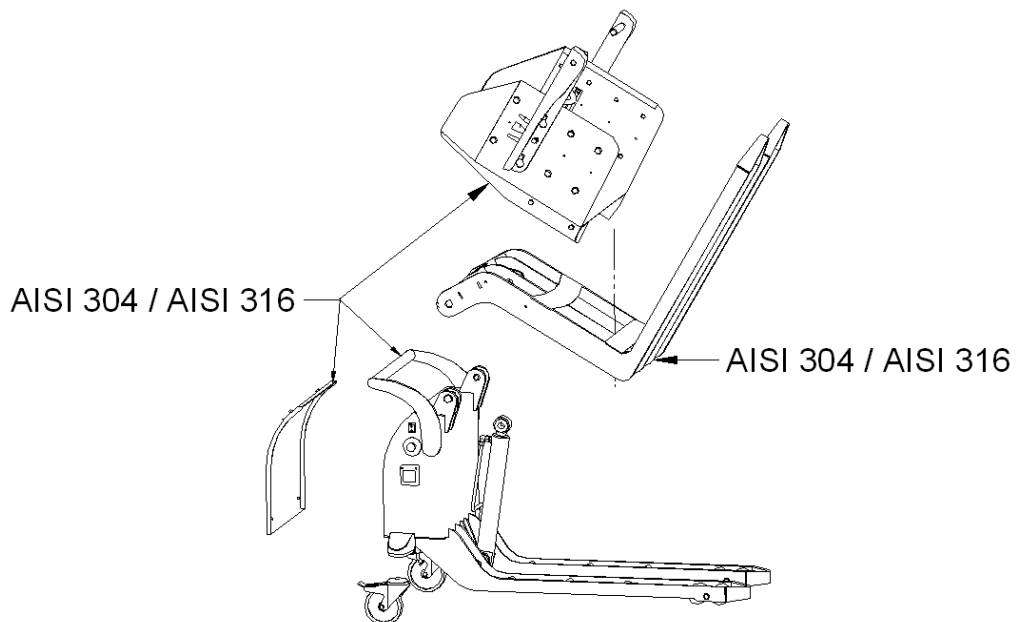
.....13

1

Characteristics			
1.1	Manufacturer (Abreviation)		ULMA Inoxtruck
1.2	Manufacturer's model designation		EBT750
1.4	Operator type: pedestrian, operator standing, seated		Manual
1.5	Load capacity	Q kg	750
1.6	Load center distance	c mm	400
1.8	Load Wheel axle to fork face	x mm	665
1.9	Wheelbase	y mm	1162
1.10	Chassis		AISI 304L
1.11	Sheet		AISI 304L
Weight			
2.1	Truck weight with nominal load & maximum battery weight	kg	920
2.2	Axle loading nominal load & maximum battery weight, drive/load side	kg	165/755
2.3	Axle loading without load & maximum battery weight, drive/load side	kg	108/62
Wheels and Drive Train			
3.1	Tyres: P=Polyurethane, PA= Poliamida (nylon), Vul=Vulkollan, drive/load side		PA / PA
3.2	Tyre dimensions, drive side		160 X 58
3.3	Tyre dimensions, load side		80 X 67
3.5	Number of whells, drive/load side (x = driven)		2 / 2
3.6	Track width (center of tyres), drive side	b10 mm	740
3.7	Track width (center of tyres), load side	b11 mm	412
Dimensions			
4.4	Overall height tilted	h4 mm	1550
4.9	Height of tiller arm (minimum/maximum)	h14 mm	950
4.15	Fork height, fully lowered	h13 mm	90
4.19	Overall length	l1 mm	1380
4.20	Length to fork face (includes fork thickness)	l2 mm	580
4.21	Overall width (without funnel)	b1 mm	60/170/800
4.22	Fork dimensions (thickness, width, lenght)	s/e/l mm	570
4.25	Outside width over forks (minimum/maximum)	b5 mm	25
4.32	Ground clearance at center of wheelbase (forks lowered)	m2 mm	2445
4.34a	Working aisle width (Ast) with 800 x 1200 mm pallets, load lengthwise, platform up/down	Ast mm	750
4.42	Tilting height	ht mm	90
4.43	Tilting angle	°	
Performance			20/25
5.2	Lifting time with/without load	s	20/20
5.3	Lowering time with/without load	s	

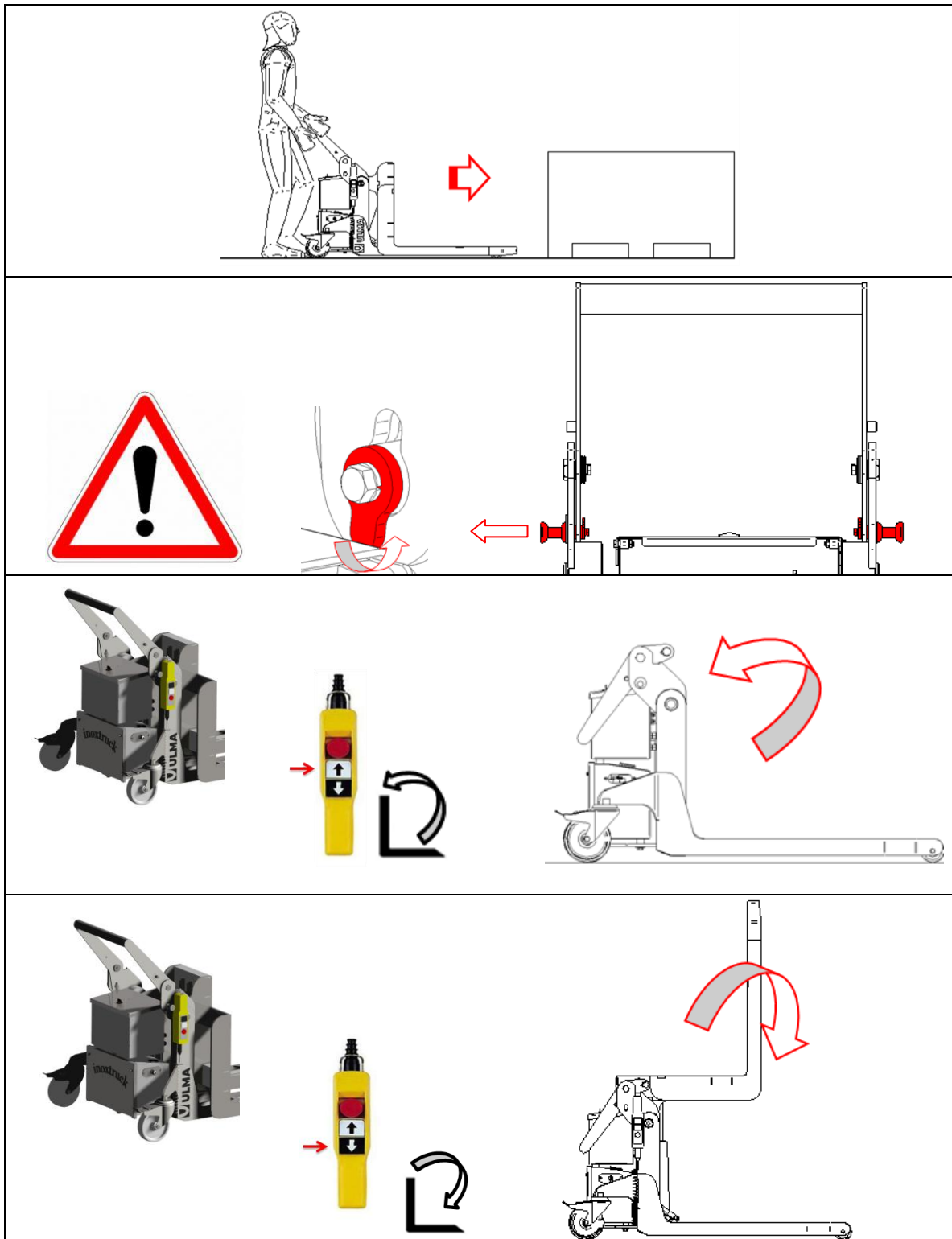


2

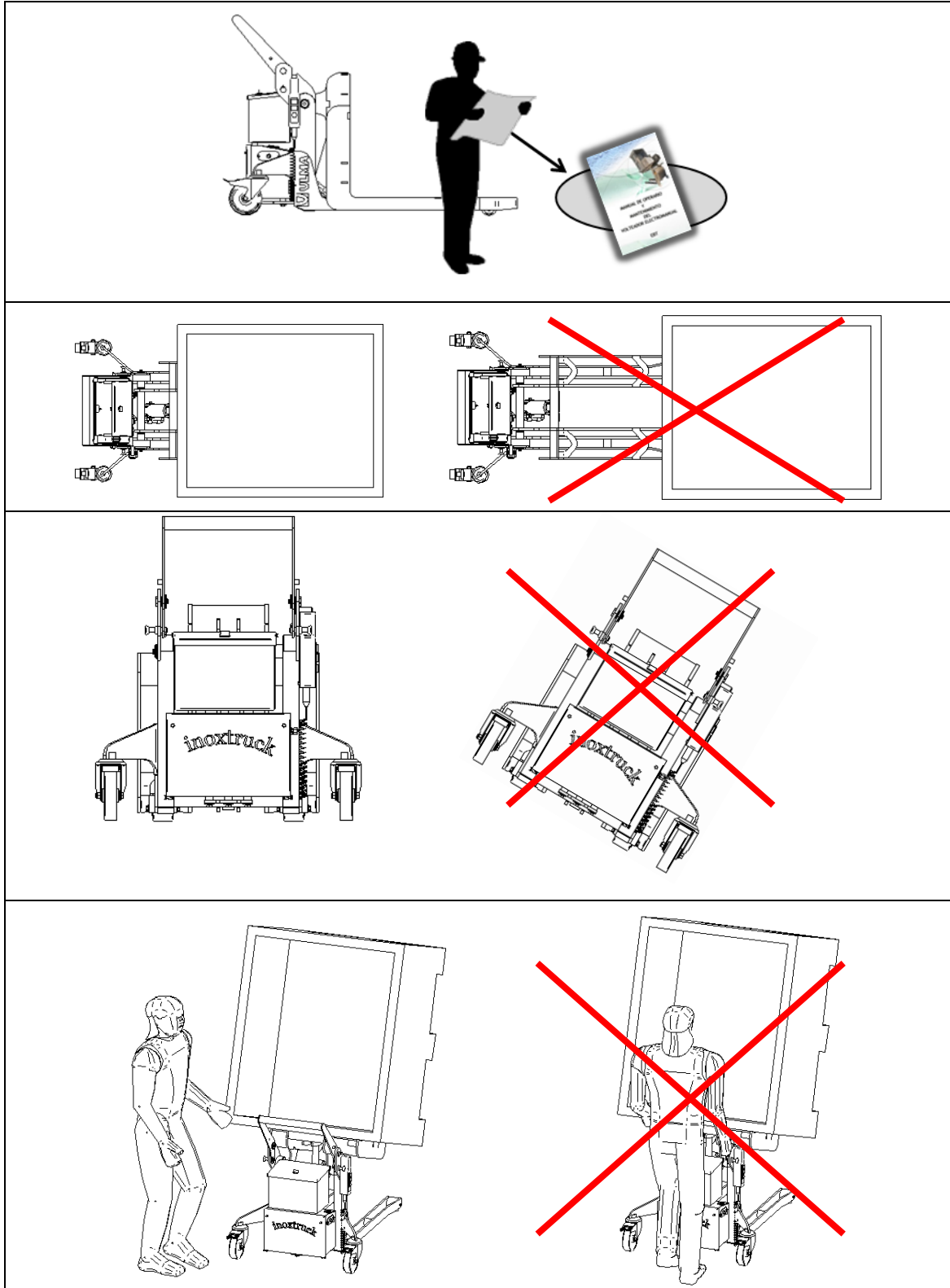


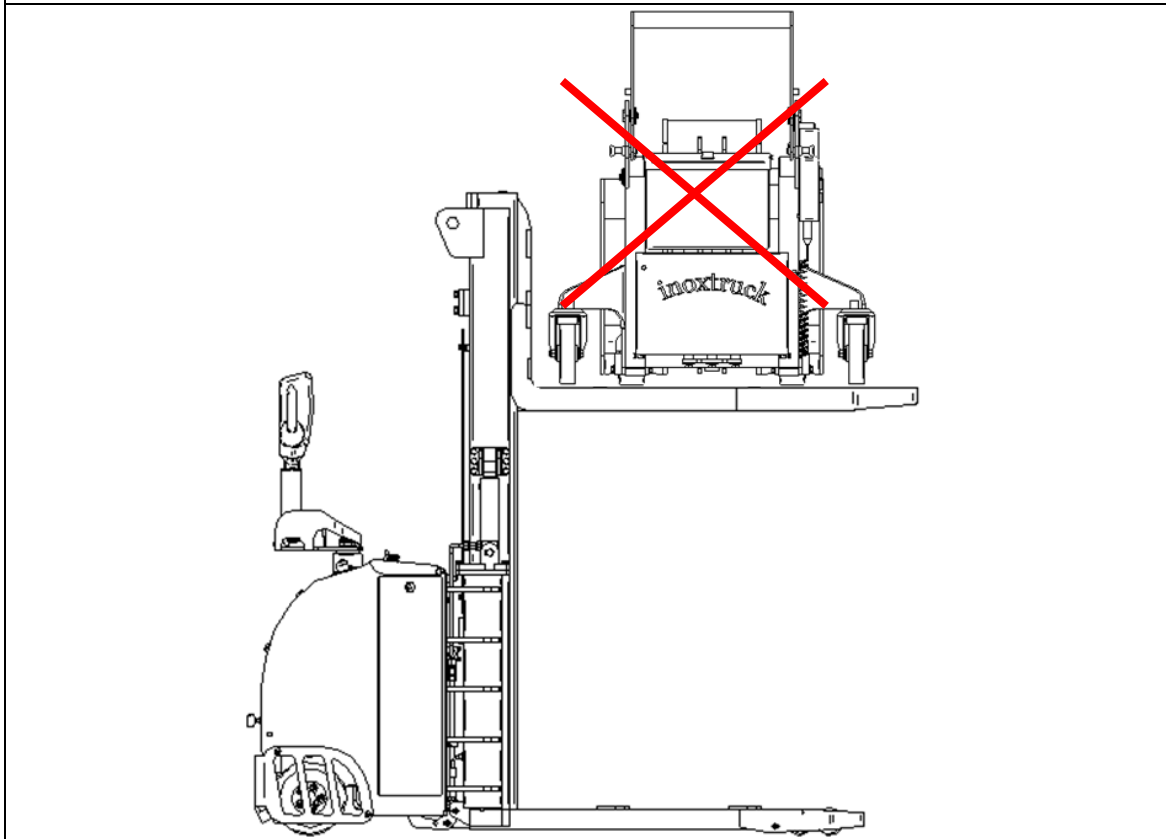
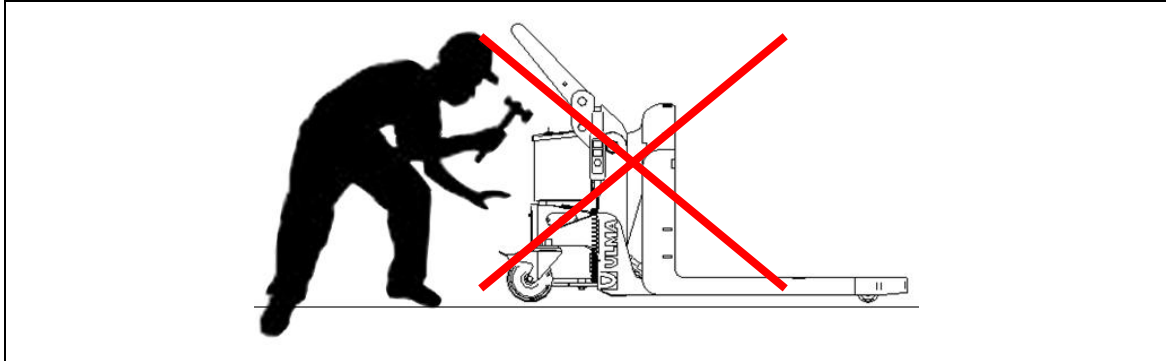
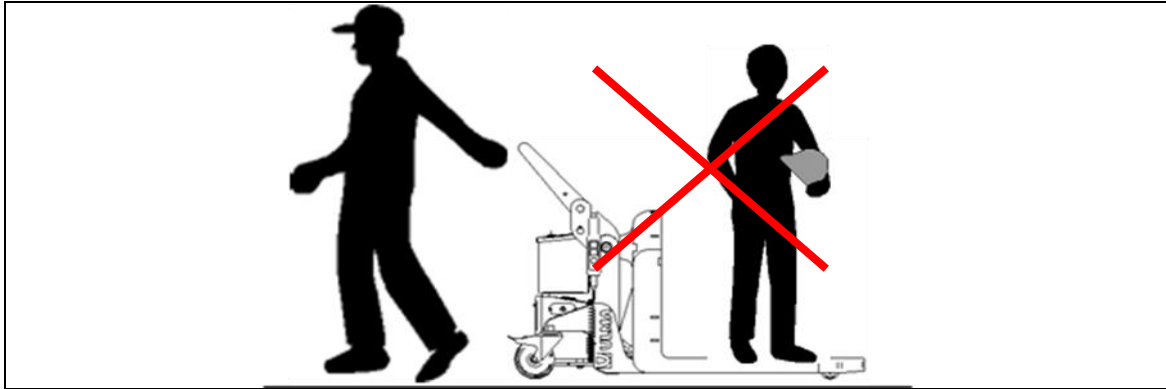
3

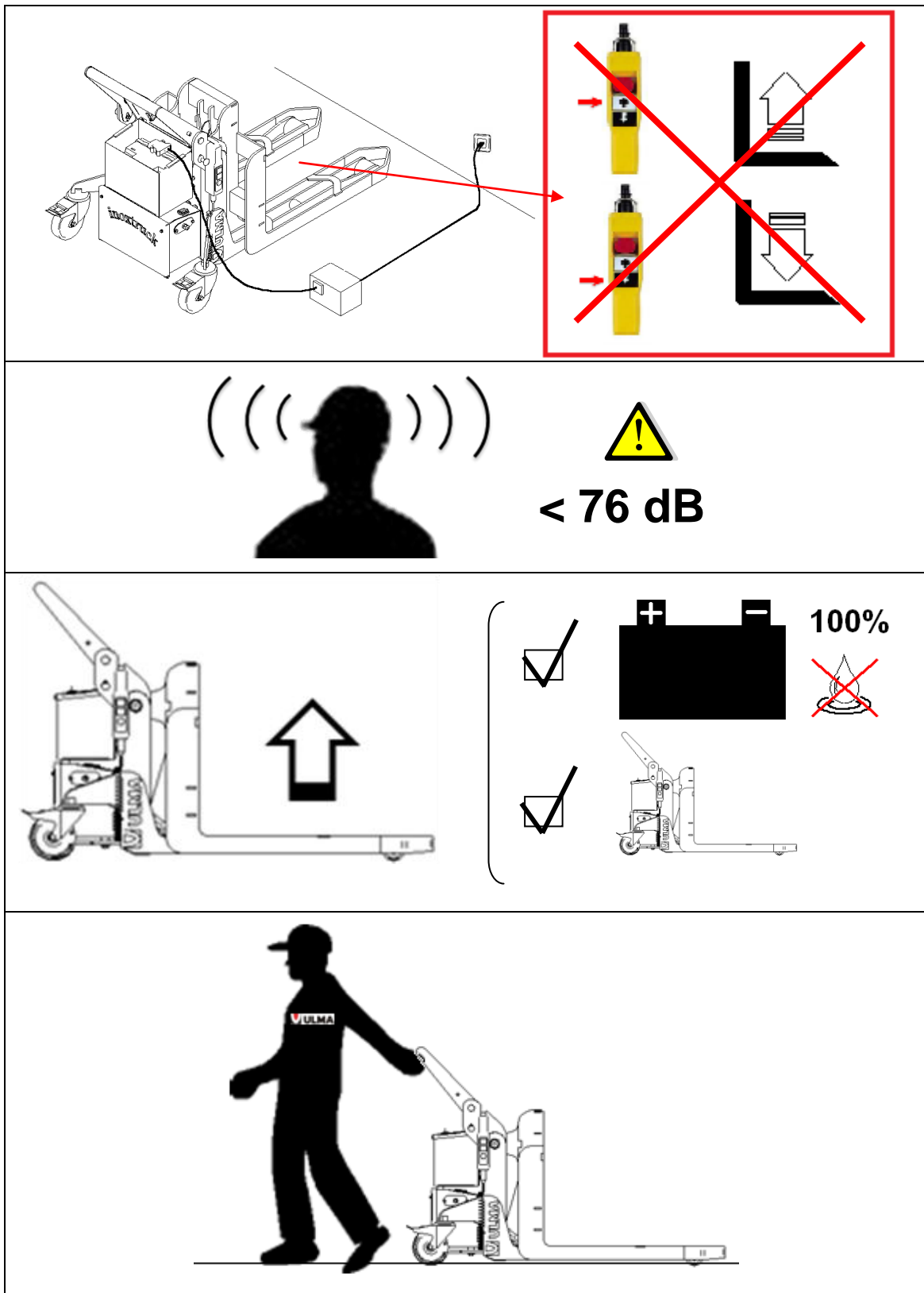
3.1



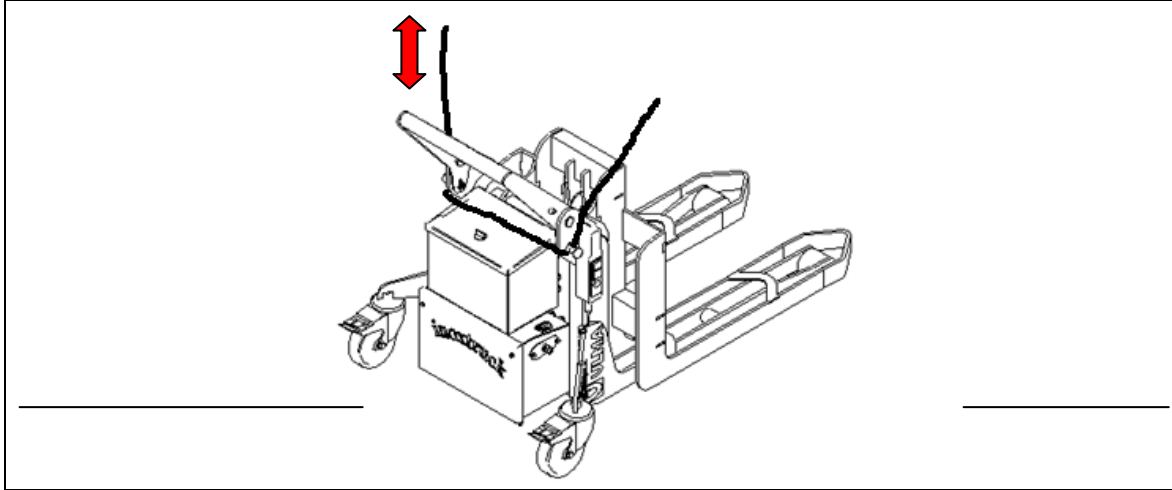
3.2



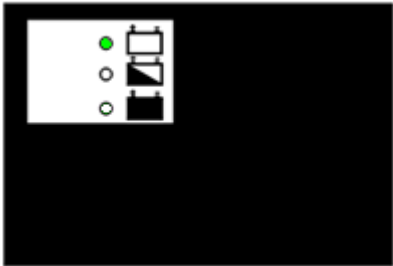
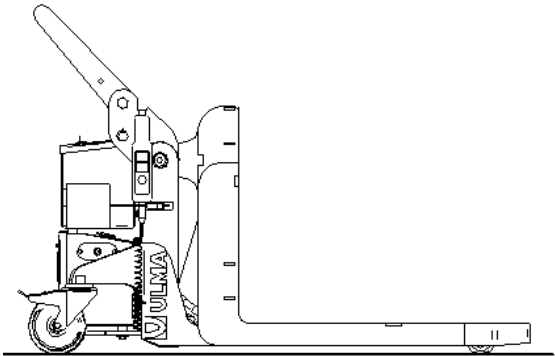
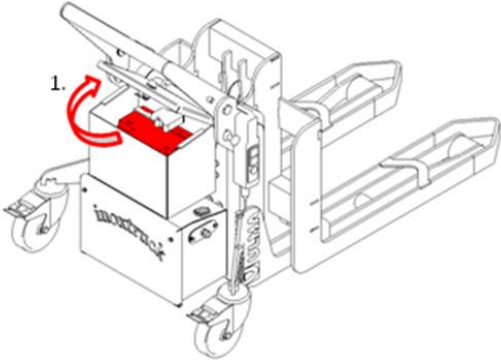
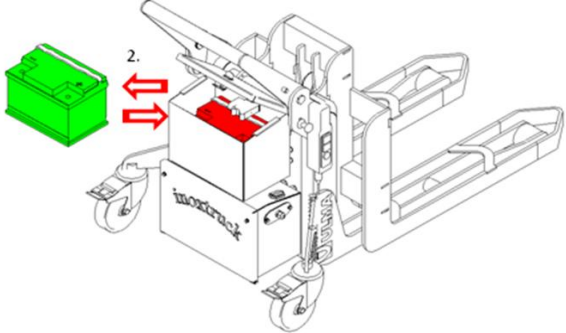
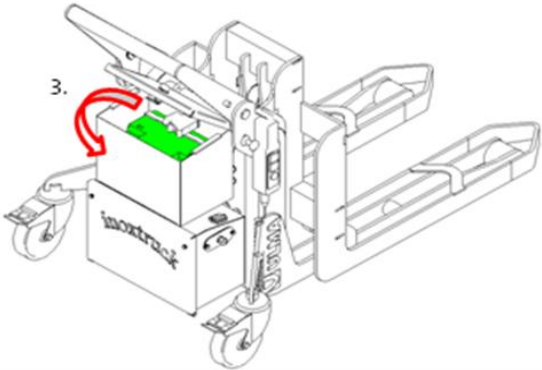
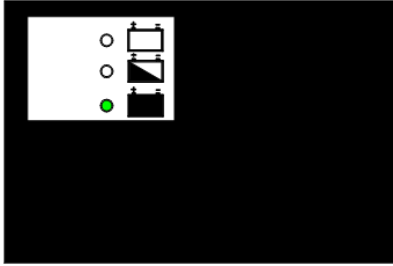





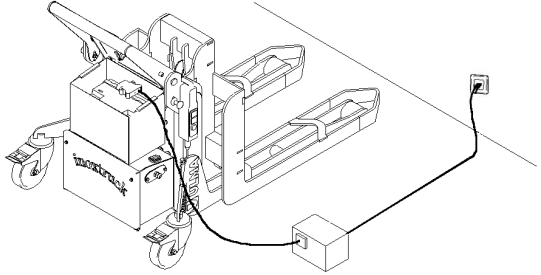
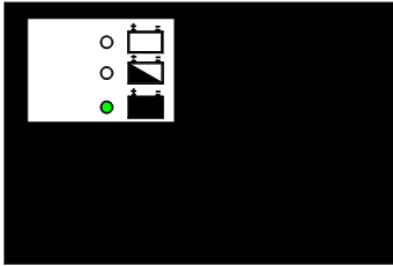
3.4



4
4.1

<p>1</p>		<p>2</p>	
<p>3</p>		<p>4</p>	
<p>5</p>		<p>6</p>	

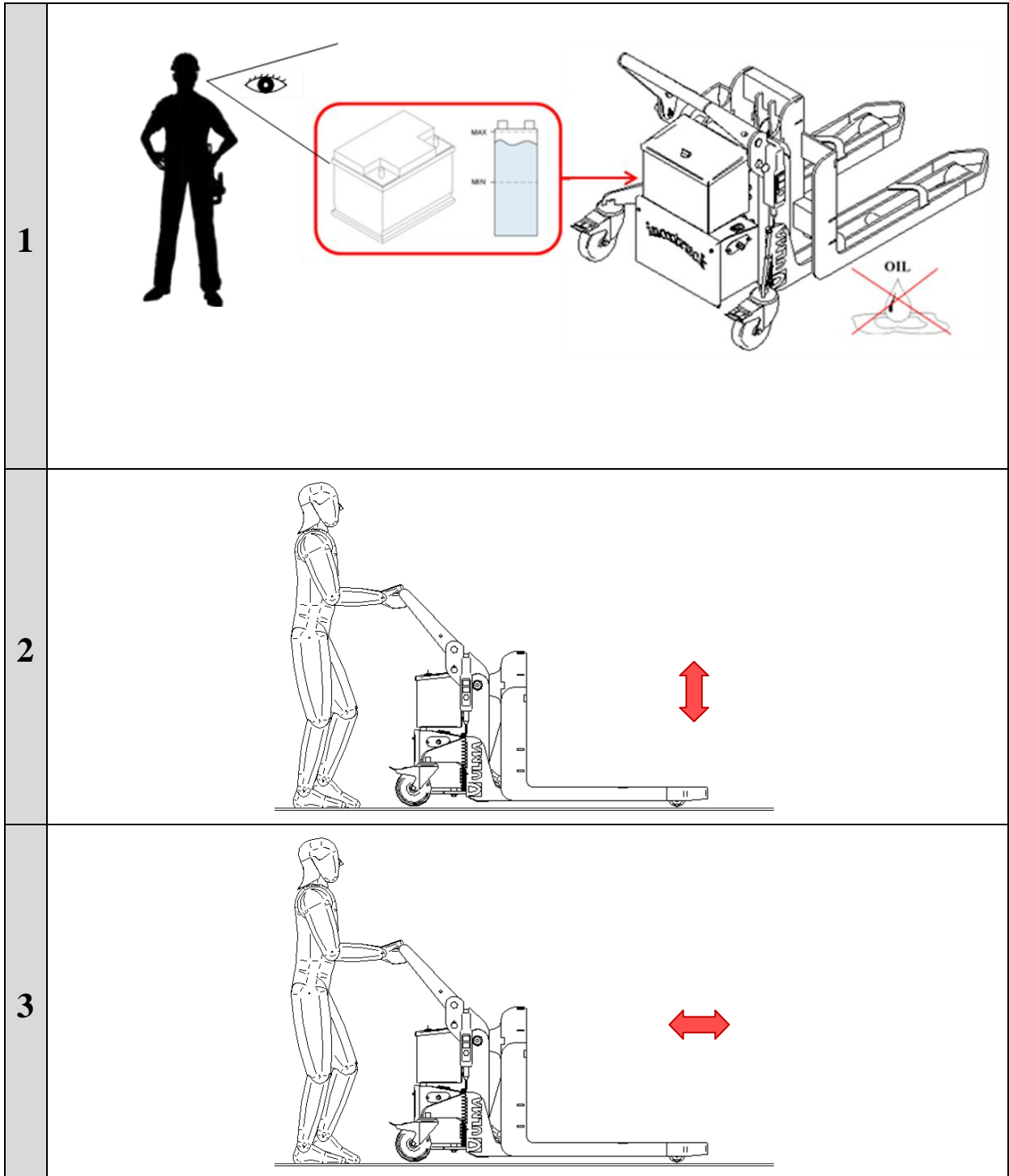
4.2

<p>1</p>  A close-up of a control panel with a black background. It features a green indicator light at the top left, followed by two white indicator lights. To the right of these lights are three icons: a battery symbol, a battery symbol with a diagonal line through it, and a battery symbol with a lightning bolt through it.	<p>2</p>  A line drawing of a counterbalanced forklift. A charging cable is connected to the forklift's battery compartment and runs to a small rectangular charging station on the floor. The cable also has a standard wall outlet plug at the end.
<p>3</p>  A close-up of a control panel with a black background. It features two white indicator lights at the top left, followed by a green indicator light. To the right of these lights are three icons: a battery symbol, a battery symbol with a diagonal line through it, and a battery symbol with a lightning bolt through it.	

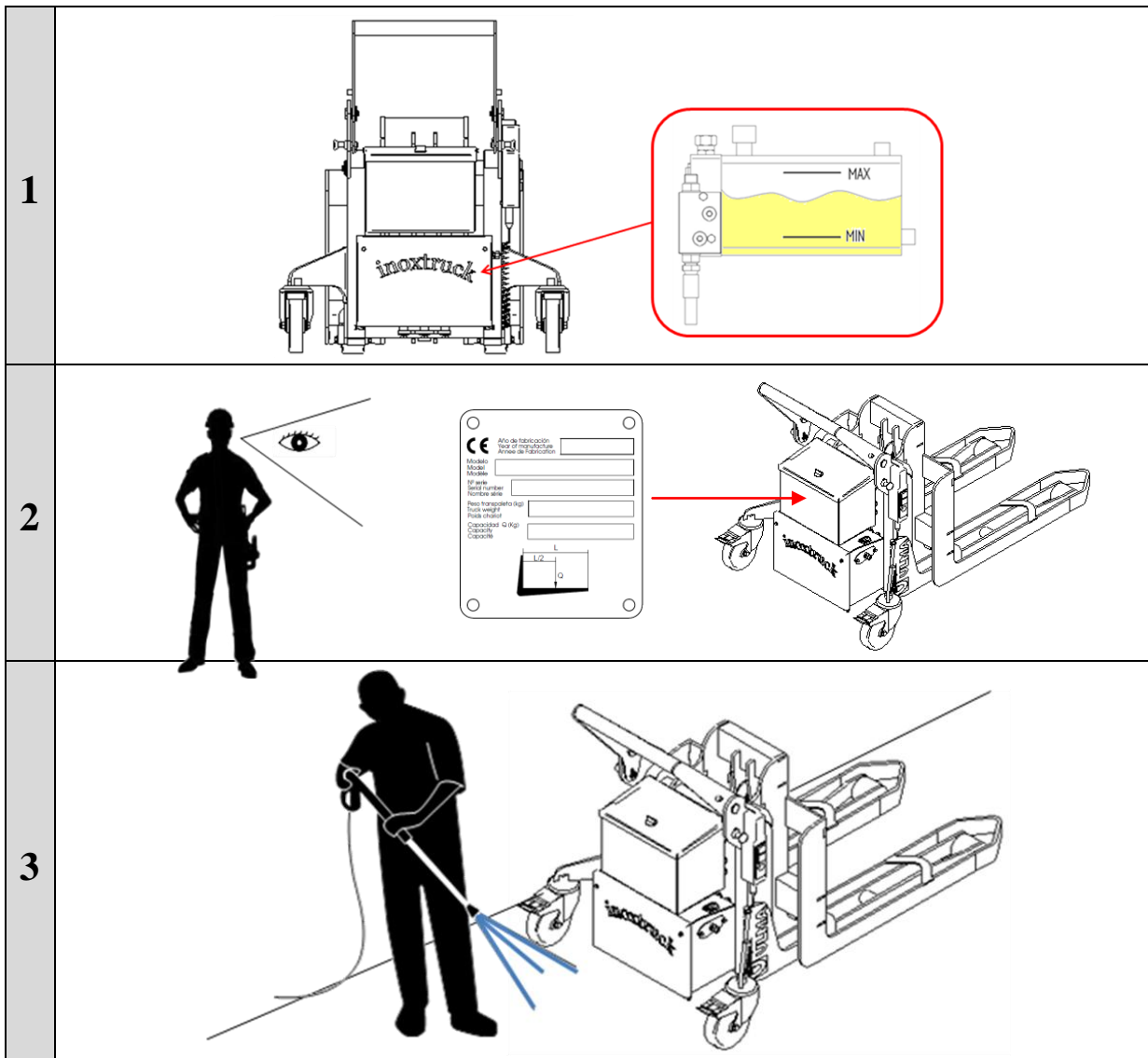
5

5.1

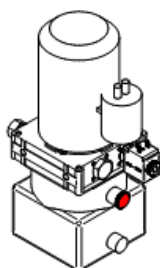
January							1	2	3
X	5	6	7	8	9	10			
11	12	13	14	15	16	17			
18	19	20	21	22	23	24			
25	26	27	28	29	30	31			



5.2



5.3



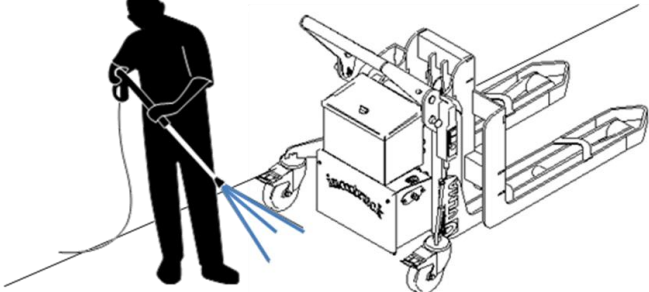
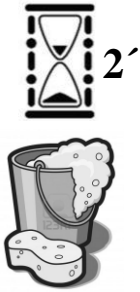
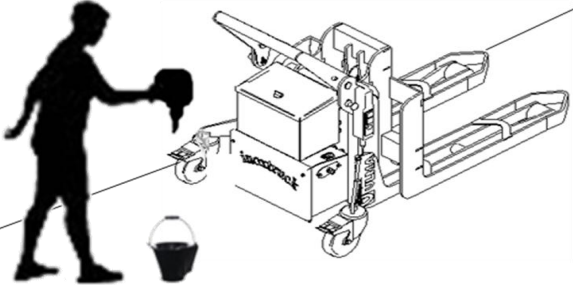
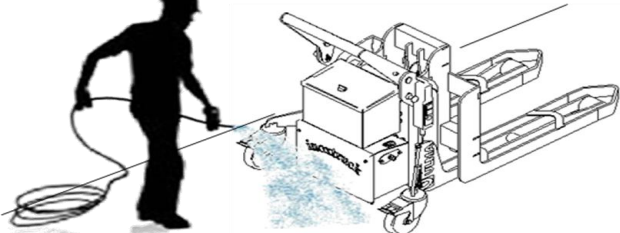
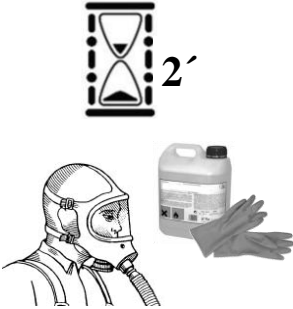

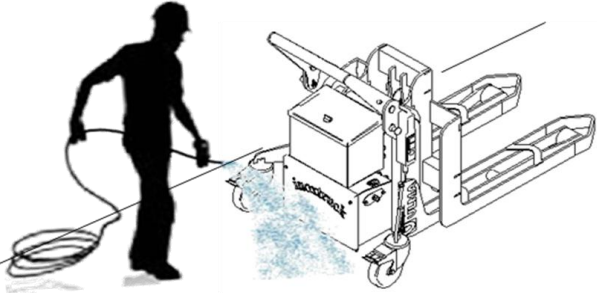
ULTRASINT ATOX 32 (ISO VG CST@40°C 32)

NORMATIVA:

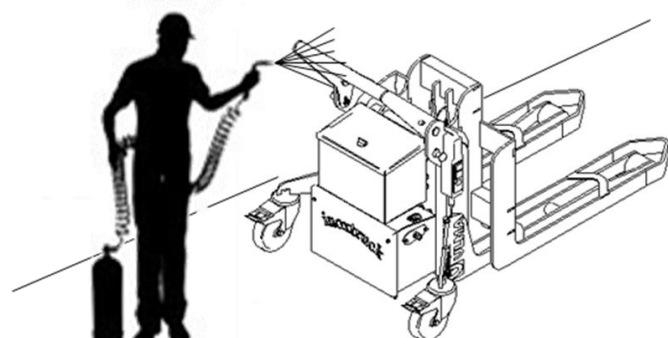

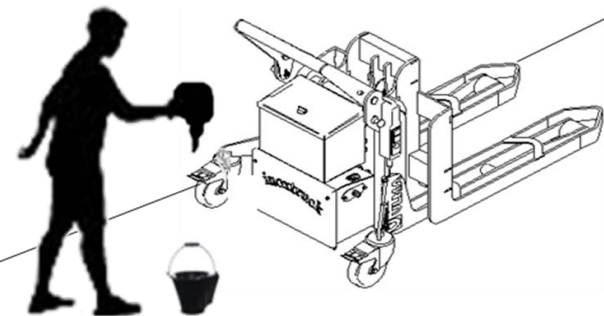
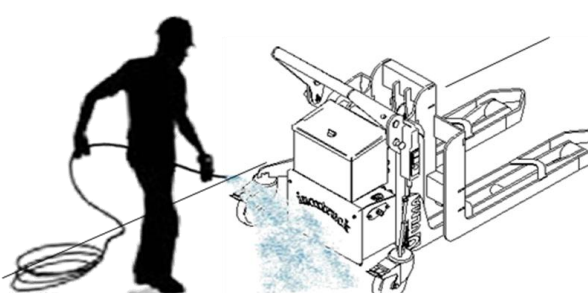
- DIN 51524/2-HLP
- ISO 6743/4-HM
- DIN 51517/3-CLP
- DIN 51506-VDL

6

6.1

<p>1</p> <p>H₂O</p> <p>Max 30 bar</p>	
<p>2</p> 	
<p>3</p> <p>H₂O</p> <p>5 bar</p>	
<p>4</p> 	
<p>5</p> <p>H₂O</p> <p>5 bar</p>	

6.2

1	<p>O₂ 5 bar</p>	
2		
3	<p>H₂O 5 bar</p>	

7





USPUEBTI218

ULMA Inoxtruck
Obispo Otadui, 10 · 20560 Oñati (Gipuzkoa)
Tel: +34 943 848 943
info@ulmainoxtruck.com · www.ulmainoxtruck.com