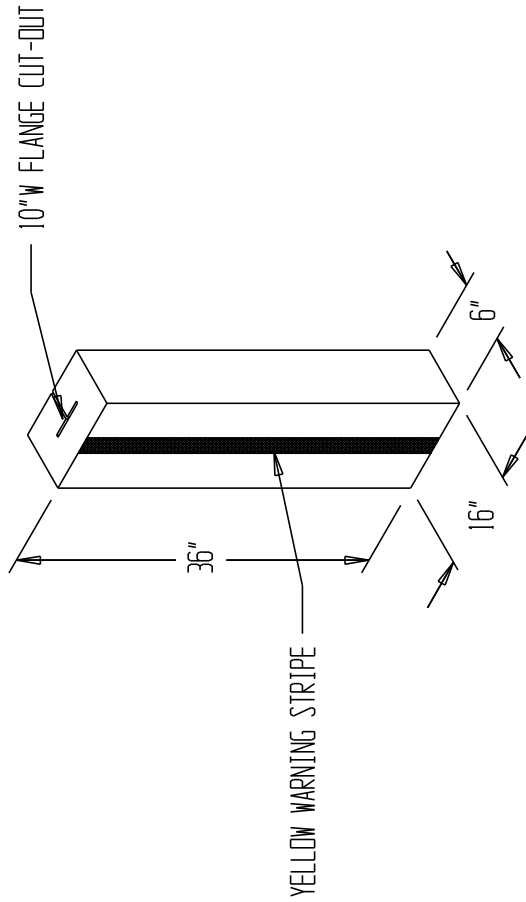


STRUCTURAL COLUMN PAD - V-PAD-I-310

DO NOT DUPLICATE © 2018 VESTIL MANUFACTURING



Any additions, deletions or omissions must be corrected on this drawing, as this drawing will be considered all inclusive.

All graphics provided are for reference only. If certain dimensions are critical please verify those dimensions with your salesperson

STANDARD FEATURES

- MODEL NUMBER: V-PAD-I-310
- 36" OVERALL HEIGHT
- OPENING SIZE: 10"W x 3"D
- ONE PIECE DESIGN
- 3" PAD THICKNESS
- BLACK NYLON COVERING
- YELLOW WARNING STRIPE

A I, THE UNDERSIGNED, AGREE THAT THE PRODUCT AS REPRESENTED
P SATISFIES DESIGN & DIMENSION REQUIREMENTS. I ALSO ACKNOWLEDGE
P MY DUTY TO CONFIRM PRODUCT & INSTALLATION COMPLIANCE WITH ALL
R APPLICABLE FEDERAL, STATE AND LOCAL REGULATIONS & STANDARDS.
O **ALL SPECIAL UNITS ARE NON-RETURNABLE**
V () As drawn () As marked
A Signed: _____ Date: _____
L LEAD TIME WILL START UPON RECEIPT OF SIGNED APPROVAL DRAWING

DISTRIBUTOR'S NAME: -		P.O.#: -
DRAWN BY: -		W.O.#: -
DATE: -		SALES: -
REFERENCE: -	SCALE: 1:16	ORIG./FILE NAME: V-PAD-I-310
QUOTED LEADTIME: -	QUOTE #: -	