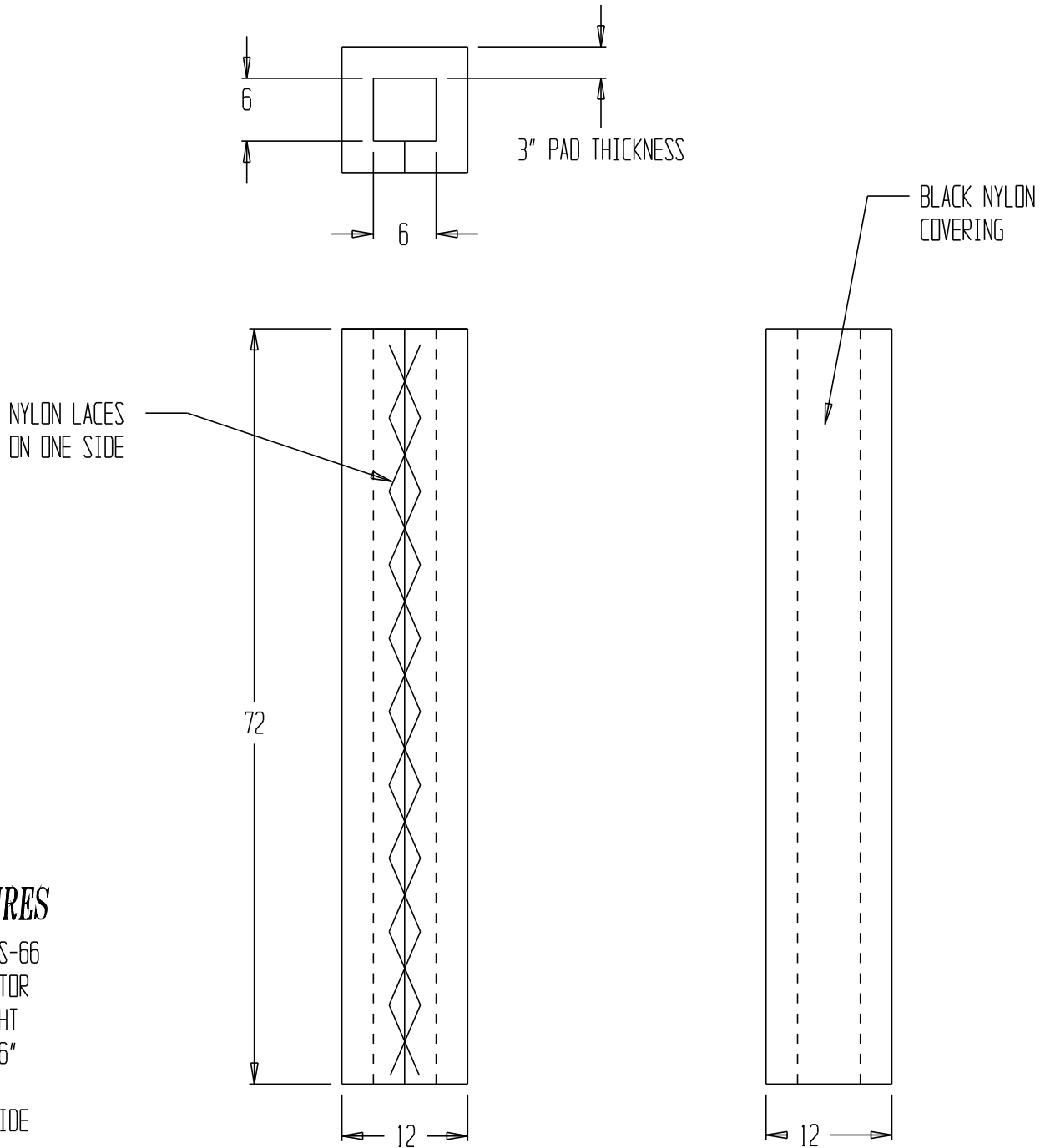


STRUCTURAL COLUMN PAD - V-PAD-S-66



STANDARD FEATURES

MODEL NUMBER: V-PAD-S-66
 SQUARE COLUMN PROTECTOR
 72" OVERALL PAD HEIGHT
 COLUMN SIZE IS 6" x 6"
 ONE PIECE DESIGN
 NYLON LACES ON ONE SIDE
 3" PAD THICKNESS
 BLACK NYLON COVERING

SPECIAL FEATURES

Any additions, deletions or omissions must be corrected on this drawing, as this drawing will be considered all inclusive.

All graphics provided are for reference only. If certain dimensions are critical please verify those dimensions with your salesperson

FOR INTERNAL USE ONLY PROJECT SIGN OFF	
SALES	
ENG.	
FAB.	
POWER	

APPROVAL	I, THE UNDERSIGNED, AGREE THAT THE PRODUCT AS REPRESENTED SATISFIES DESIGN & DIMENSION REQUIREMENTS. I ALSO ACKNOWLEDGE MY DUTY TO CONFIRM PRODUCT & INSTALLATION COMPLIANCE WITH ALL APPLICABLE FEDERAL, STATE AND LOCAL REGULATIONS & STANDARDS.	
	ANY MODIFIED UNITS ARE NON-RETURNABLE	
	[] As drawn [] As marked	
	Signed: _____ Date: _____	
	Printed Name: _____	
LEAD TIME WILL START UPON RECEIPT OF SIGNED APPROVAL DRAWING		

DISTRIBUTOR'S NAME: -		P.O.#: _
		W.O.#: _
DRAWN BY: BB	DATE: 2/25/14	SALES: _
REFERENCE: _	SCALE: 1:16	DRWG./FILE NAME:
QUOTED LEADTIME: _	QUOTE #: _	V-PAD-S-66