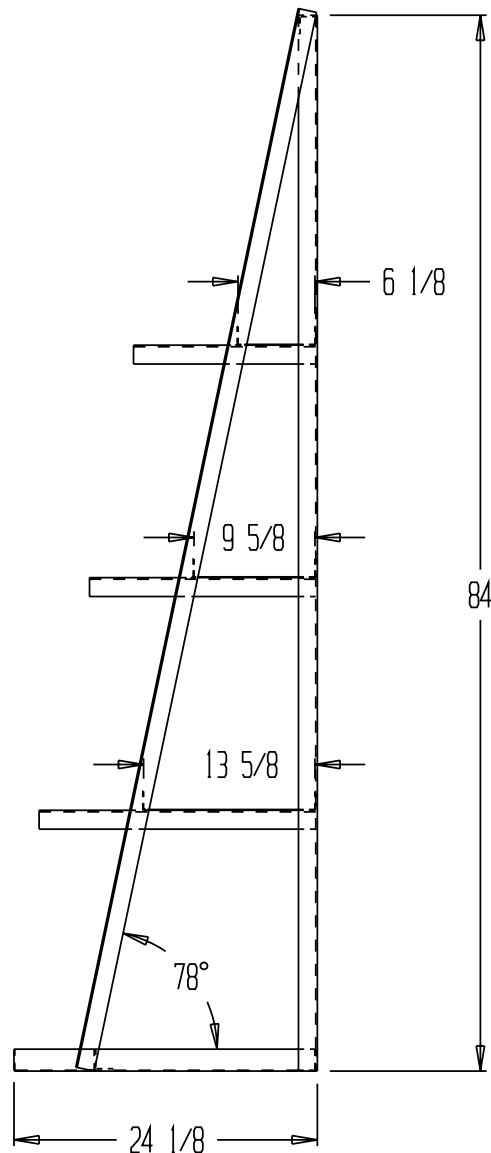
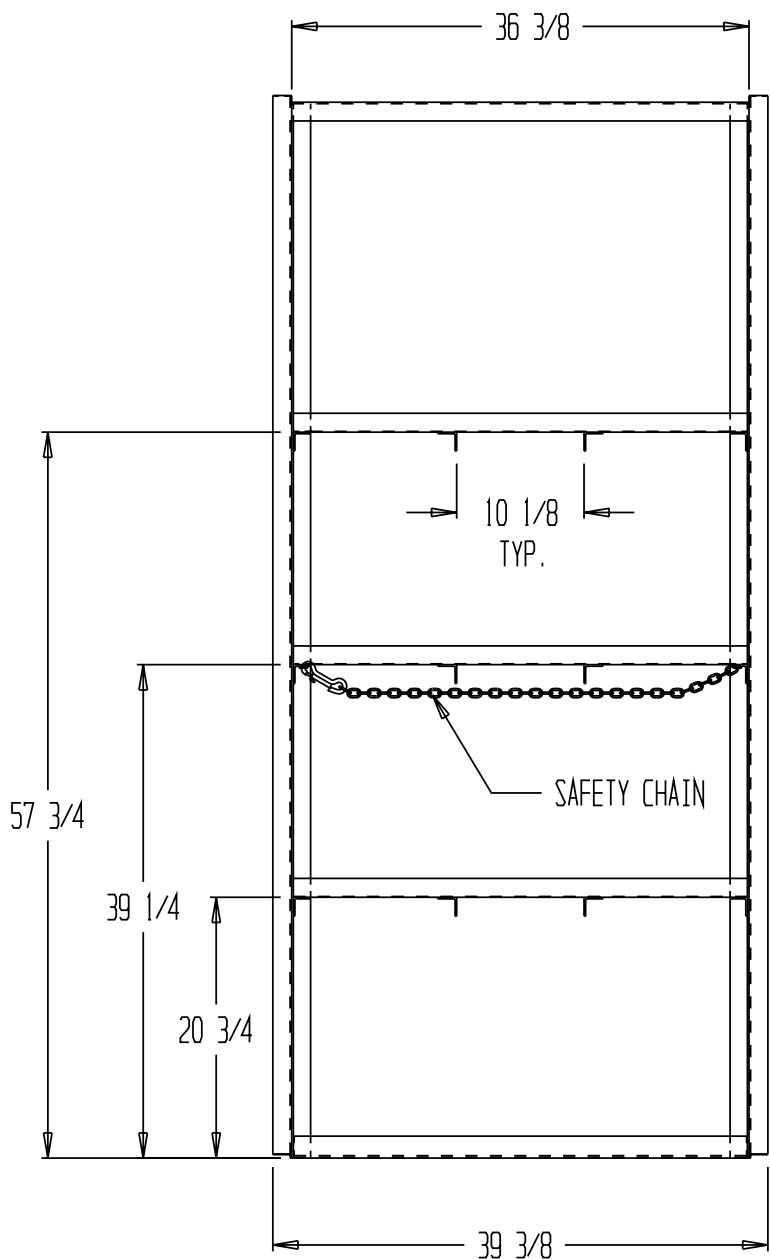


**SPECIAL UNITS ARE NON-RETURNABLE
 *AVAILABLE AT ADDITIONAL COSTS

VERTICAL STORAGE RACK, VBR-9



STANDARD FEATURES

MODEL NUMBER: VBR-9
 CAPACITY: 3,000 LBS. (EVENLY DISTRIBUTED)
 NUMBER OF BAYS: 3
 USABLE BAY WIDTH: 10 1/8"
 OVERALL WIDTH: 39 3/8"
 OVERALL DEPTH: 24 1/8"
 OVERALL HEIGHT: 84"
 UNIT MUST BE LAGGED DOWN BEFORE USE

SPECIAL FEATURES

NONE

LEAD TIME WILL START UPON
 RECEIPT OF SIGNED APPROVAL
 DRAWING

APPROVAL

I, the undersigned, hereby approve this print
 As drawn As marked
 This includes my approval of design & dimensions.
 Signed: _____
 Date: _____

**Any additions, deletions or omissions must
 be corrected on this drawing, as this drawing
 will be considered all inclusive.**

*** ALL GRAPHICS PROVIDED ARE FOR REFERENCE ONLY. IF CERTAIN DIMENSIONS
 ARE CRITICAL PLEASE VERIFY THOSE DIMENSIONS WITH YOUR SALESPERSON. ***

DISTRIBUTOR'S NAME: VESTIL MANUFACTURING		P.O.#: -
DRAWN BY: SR		W.O.#: -
DATE: 9-14-06	SALES: -	
REFERENCE:	DRWG./FILE NAME:	
-	SCALE: 1:16	VBR-9