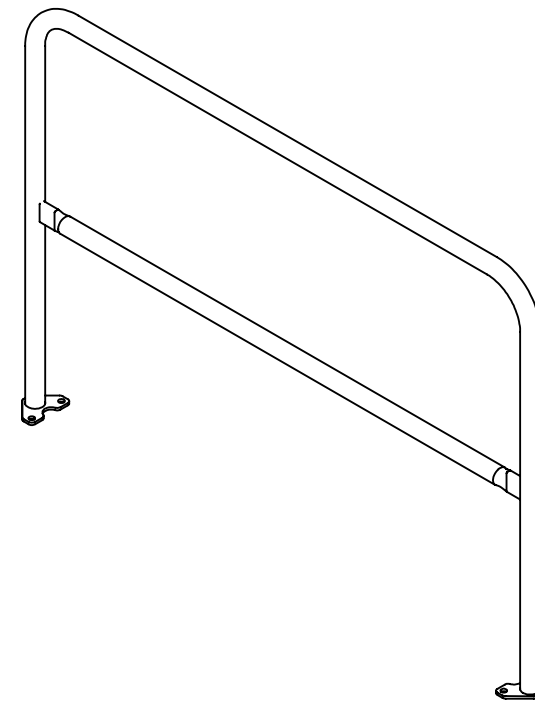
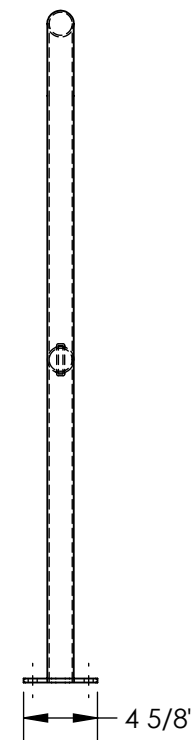
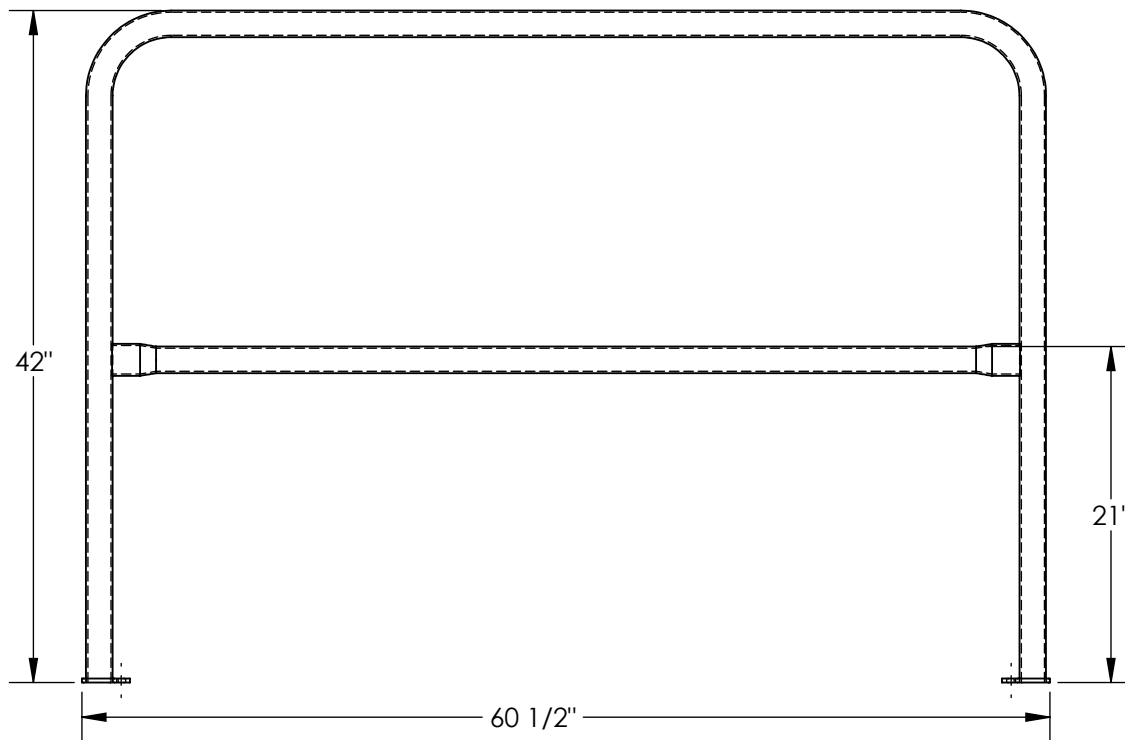


# STEEL SAFETY RAILING - VDKR-5-BP-BK

APPROX WEIGHT: 30 lbs.  
 DOES NOT INCLUDE WEIGHT OF POWER OR PACKAGING!!!

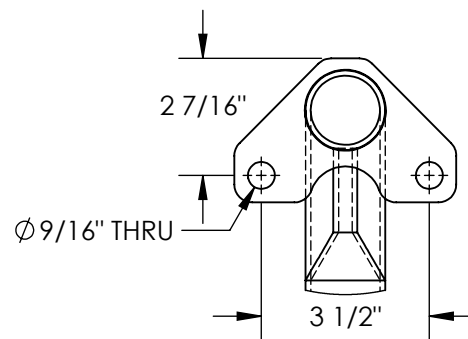
\*\*\* ANY ADDITIONS, DELETIONS, OR OMISSIONS MUST BE CORRECTED ON THIS DRAWING AS THIS DRAWING WILL BE CONSIDERED ALL INCLUSIVE \*\*\*

ALL GRAPHICS PROVIDED ARE FOR REFERENCE ONLY. IF CERTAIN DIMENSIONS ARE CRITICAL PLEASE VERIFY THOSE DIMENSIONS WITH YOUR SALESPERSON



## STANDARD FEATURES

- MODEL NUMBER: VDKR-5-BP-BK
- TOP RAIL HEIGHT: 42"
- MID RAIL HEIGHT: 21"
- LENGTH: 60 1/2"
- OVERALL WIDTH: 4 5/8"
- MOUNTING HOLES:  $\phi 9/16$ "
- DURABLE BAKED IN POWDER COATED BLACK FINISH



DETAIL A  
 SCALE 1 : 4

DIMENSION TOLERANCE  $\pm 1/4$ "

APPROVAL

I, THE UNDERSIGNED, AGREE THAT THE PRODUCT AS REPRESENTED SATISFIES DESIGN AND DIMENSION REQUIREMENTS. I ALSO ACKNOWLEDGE MY DUTY TO CONFIRM PRODUCT AND INSTALLATION COMPLIANCE WITH ALL APPLICABLE FEDERAL, STATE AND LOCAL REGULATIONS AND STANDARDS.

**UNITS REQUIRING APPROVAL DRAWINGS OR MODIFIED ARE NON-RETURNABLE**

As drawn       As marked

Signed: \_\_\_\_\_ Date: \_\_\_\_\_

Printed Name: \_\_\_\_\_

LEAD TIME WILL START UPON RECEIPT OF SIGNED APPROVAL DRAWING

## SPECIAL FEATURES

NONE

DISTRIBUTOR'S NAME:		P.O.#
VESTIL MANUFACTURING		X
DRAWN BY: TJH		DATE: 04/11/22
REFERENCE: X		SCALE: 1:12
QUOTED LEAD TIME: X		QUOTE # X
		SALES: X
		FILE NAME: 23-007-873-001