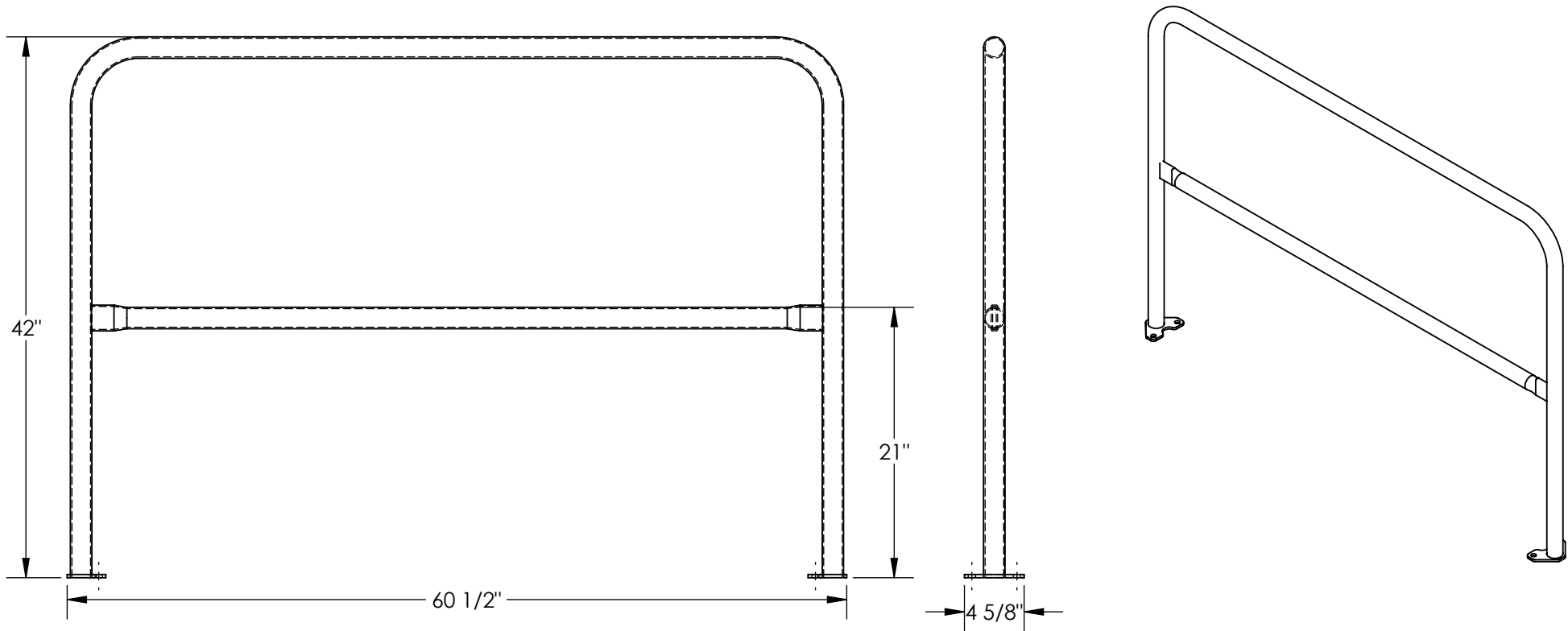


STEEL SAFETY RAILING - VDKR-5-BP-YL

APPROX WEIGHT: 30 lbs.
 DOES NOT INCLUDE WEIGHT OF POWER OR PACKAGING!!!

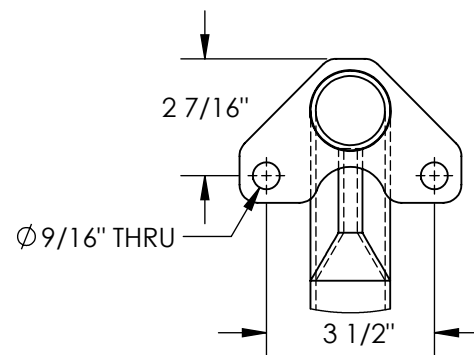
*** ANY ADDITIONS, DELETIONS, OR OMISSIONS MUST BE CORRECTED ON THIS DRAWING AS THIS DRAWING WILL BE CONSIDERED ALL INCLUSIVE ***

ALL GRAPHICS PROVIDED ARE FOR REFERENCE ONLY. IF CERTAIN DIMENSIONS ARE CRITICAL PLEASE VERIFY THOSE DIMENSIONS WITH YOUR SALESPERSON



STANDARD FEATURES

MODEL NUMBER: VDKR-5-BP-YL
 TOP RAIL HEIGHT: 42"
 MID RAIL HEIGHT: 21"
 LENGTH: 60 1/2"
 OVERALL WIDTH: 4 5/8"
 MOUNTING HOLES: $\phi 9/16$ "
 DURABLE BAKED IN POWDER
 COATED YELLOW FINISH



DETAIL A
 SCALE 1 : 4

DIMENSION TOLERANCE $\pm 1/4$ "

SPECIAL FEATURES

NONE

APPROVAL

I, THE UNDERSIGNED, AGREE THAT THE PRODUCT AS REPRESENTED SATISFIES DESIGN AND DIMENSION REQUIREMENTS. I ALSO ACKNOWLEDGE MY DUTY TO CONFIRM PRODUCT AND INSTALLATION COMPLIANCE WITH ALL APPLICABLE FEDERAL, STATE AND LOCAL REGULATIONS AND STANDARDS.

UNITS REQUIRING APPROVAL DRAWINGS OR MODIFIED ARE NON-RETURNABLE

As drawn As marked

Signed: _____ Date: _____

Printed Name: _____

LEAD TIME WILL START UPON RECEIPT OF SIGNED APPROVAL DRAWING

DISTRIBUTOR'S NAME:		P.O.#
VESTIL MANUFACTURING		X
DRAWN BY: TJH		DATE: 04/11/22
REFERENCE: X		SCALE: 1:12
QUOTED LEAD TIME: X	QUOTE #	FILE NAME:
	X	23-007-873