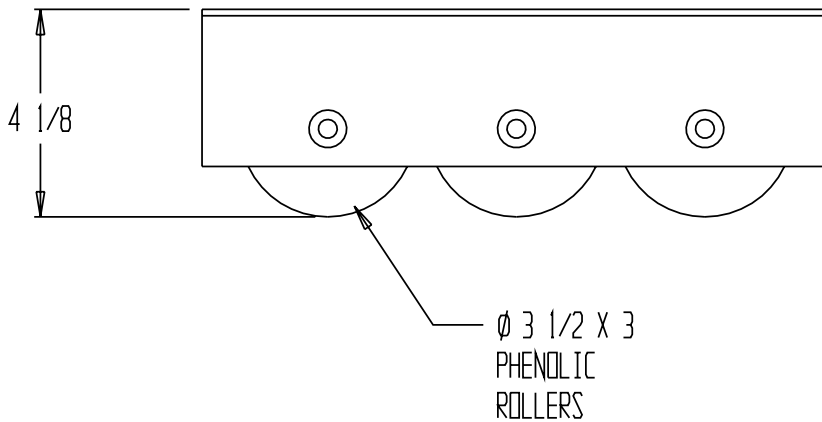
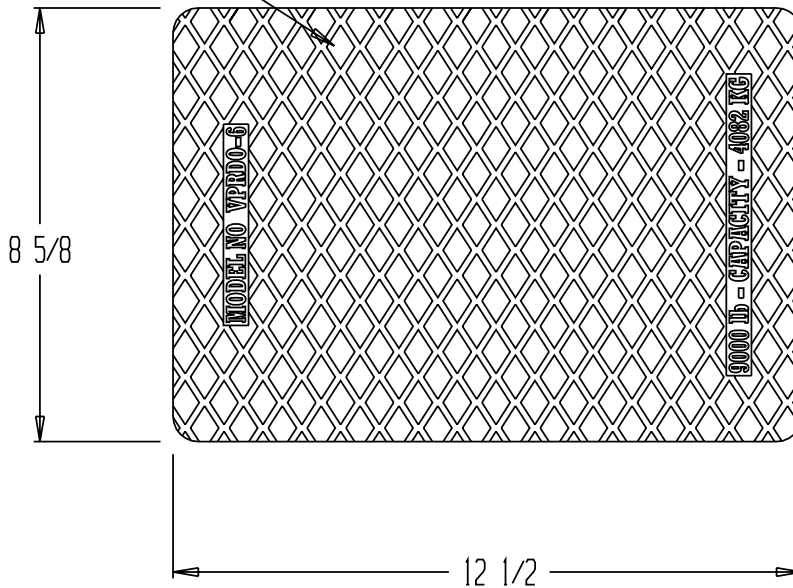


**SPECIAL UNITS ARE NON-RETURNABLE
 *AVAILABLE AT ADDITIONAL COSTS

CAST ALUMINUM DOLLY, VPRDO-6

RAISED TREAD SURFACE



LEAD TIME WILL START UPON RECEIPT OF SIGNED APPROVAL DRAWING

STANDARD FEATURES

MODEL NUMBER: VPRDO-6
 CAPACITY: 9,000 LBS.
 OVERALL WIDTH: 8 5/8"
 OVERALL LENGTH: 12 1/2"
 OVERALL HEIGHT: 4 1/8"
 (6) Ø 3 1/2 X 3 PHENOLIC ROLLERS

SPECIAL FEATURES

NONE

APPROVAL

I, the undersigned, hereby approve this print
 As drawn As marked
 This includes my approval of design & dimensions.
 Signed: _____
 Date: _____

Any additions, deletions or omissions must be corrected on this drawing, as this drawing will be considered all inclusive.

*** ALL GRAPHICS PROVIDED ARE FOR REFERENCE ONLY. IF CERTAIN DIMENSIONS ARE CRITICAL PLEASE VERIFY THOSE DIMENSIONS WITH YOUR SALESPERSON. ***

DISTRIBUTOR'S NAME: VESTIL MANUFACTURING		P.O.#: -
DRAWN BY: SR		W.O.#: -
DATE: 9-27-06		SALES: -
REFERENCE: -		DRWG./FILE NAME: VPRDO-6
SCALE: 1:4		