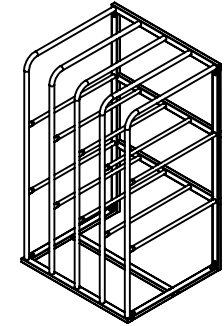
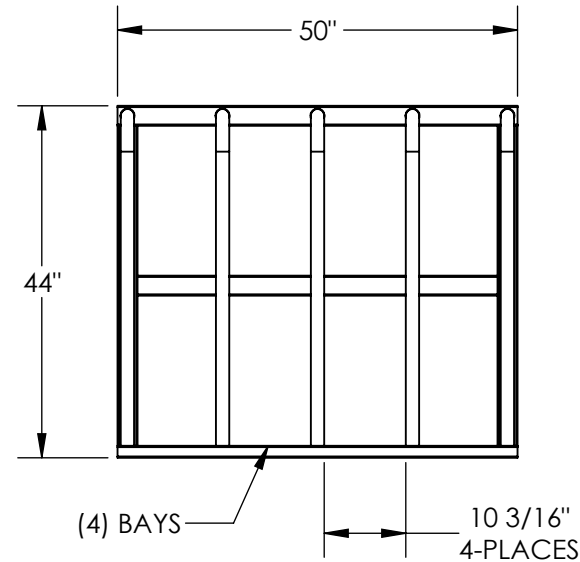
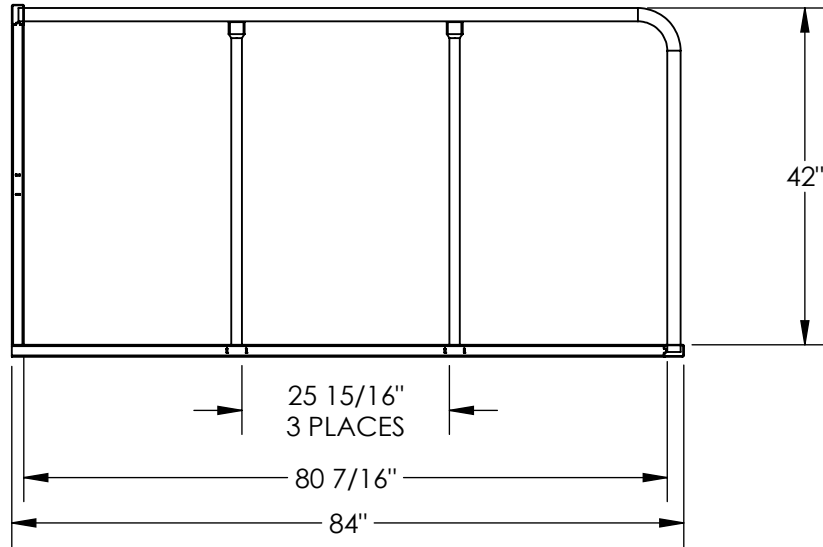


# STANDARD SHEET RACK - VSSR-15

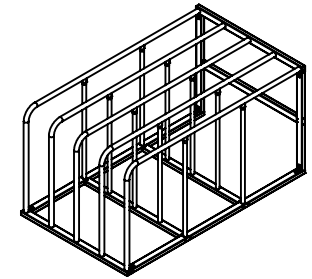
APPROX WEIGHT: 234.32 lbs.  
DOES NOT INCLUDE WEIGHT OF POWER OR PACKAGING!!!

\*\*\* ANY ADDITIONS, DELETIONS, OR OMISSIONS MUST BE CORRECTED ON THIS DRAWING AS THIS DRAWING WILL BE CONSIDERED ALL INCLUSIVE \*\*\*

ALL GRAPHICS PROVIDED ARE FOR REFERENCE ONLY. IF CERTAIN DIMENSIONS ARE CRITICAL PLEASE VERIFY THOSE DIMENSIONS WITH YOUR SALESPERSON



VERTICAL INSTALLATION



HORIZONTAL INSTALLATION

3-D SHOWN FOR REFERENCE ONLY

DIMENSION TOLERANCE  $\pm 1/4"$

## STANDARD FEATURES

- MODEL NUMBER IS VSSR-15
- CAPACITY IS 1,500 LBS PER BAY
- OVERALL WIDTH: 50"
- USABLE BAY WIDTH: 10 3/16"
- OVERALL HEIGHT: 44"
- USABLE BAY HEIGHT: 42"
- OVERALL LENGTH: 84"
- USABLE BAY LENGTH: 80 7/16"
- NUMBER OF BAYS: 4
- TOUGH BAKED IN POWDER COATED BLUE FINISH

## SPECIAL FEATURES

NONE

|   |  |                                    |
|---|--|------------------------------------|
| <b>APPROVAL</b>   | I, THE UNDERSIGNED, AGREE THAT THE PRODUCT AS REPRESENTED SATISFIES DESIGN AND DIMENSION REQUIREMENTS. I ALSO ACKNOWLEDGE MY DUTY TO CONFIRM PRODUCT AND INSTALLATION COMPLIANCE WITH ALL APPLICABLE FEDERAL, STATE AND LOCAL REGULATIONS AND STANDARDS. |                                    |
|   | <b>UNITS REQUIRING APPROVAL DRAWINGS OR MODIFIED ARE NON-RETURNABLE</b>  |                                    |
|   | <input type="checkbox"/> As drawn  | <input type="checkbox"/> As marked |
|   | Signed: _____  | Date: _____                        |
|   | Printed Name: _____  |                                    |
| <b>LEAD TIME WILL START UPON RECEIPT OF SIGNED APPROVAL DRAWING</b> |  |                                    |

|                      |             |            |
|----------------------|-------------|------------|
| DISTRIBUTOR'S NAME:  |             | P.O.#      |
| VESTIL MANUFACTURING |             | X          |
| DRAWN BY: NBE        |             | W.O.#      |
| DATE: 01/29/2021     |             | X          |
| REFERENCE: X         | SCALE: 1:24 | SALES: X   |
| QUOTED LEAD TIME: X  | QUOTE # X   | FILE NAME: |
|                      |             | 31-007-005 |