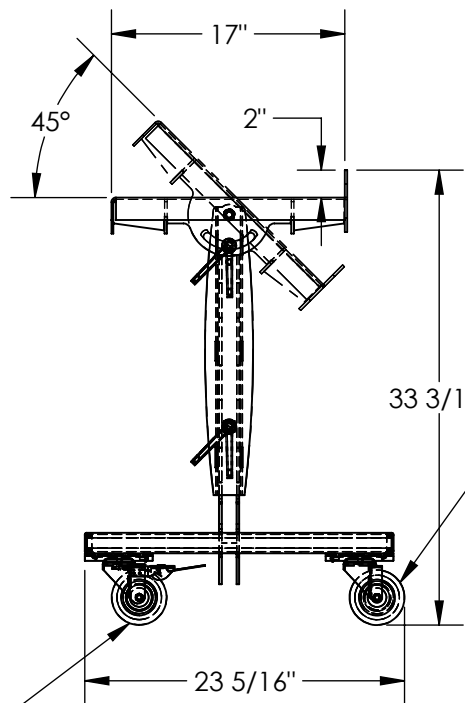
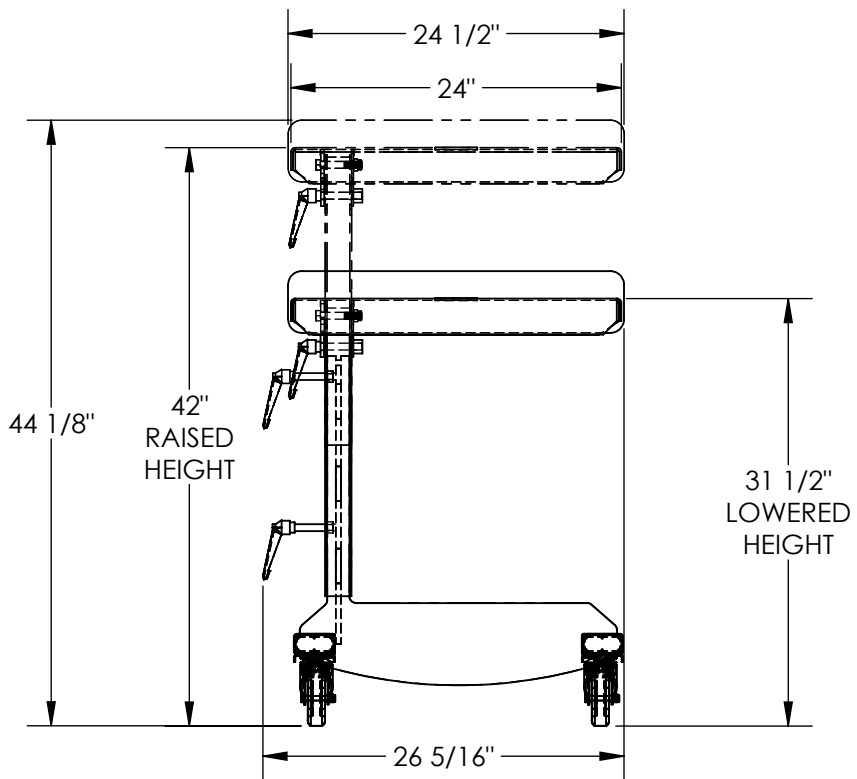


# MOBILE TILTING WORK TABLE - WPT-1624

APPROX WEIGHT: 96.97 lbs.  
 DOES NOT INCLUDE WEIGHT OF POWER OR PACKAGING!!!

\*\*\* ANY ADDITIONS, DELETIONS, OR OMISSIONS MUST BE CORRECTED ON THIS DRAWING AS THIS DRAWING WILL BE CONSIDERED ALL INCLUSIVE \*\*\*

ALL GRAPHICS PROVIDED ARE FOR REFERENCE ONLY. IF CERTAIN DIMENSIONS ARE CRITICAL PLEASE VERIFY THOSE DIMENSIONS WITH YOUR SALESPERSON



4" X 1 1/4" POLYURETHANE SWIVEL CASTERS W/ DOUBLE LOCKS

4" X 1 1/4" POLYURETHANE SWIVEL CASTERS

DIMENSION TOLERANCE ± 1/4"

## STANDARD FEATURES

- MODEL NUMBER IS WPT-1624
- OVERALL WIDTH IS 26 5/16"
- OVERALL LENGTH IS 23 5/16"
- OVERALL HEIGHT IS 44 1/8"
- MAX CAPACITY OF UNIFORM EVENLY DISTRIBUTED LOAD IS 200 LBS
- LOWERED HEIGHT OF LEVEL POSITIONED PLATFORM IS 31 1/2"
- MAX RAISED HEIGHT OF LEVEL POSITIONED PLATFORM IS 42"
- PLATFORM SIZE IS 17" W X 24" L
- LIP HEIGHT IS 2"
- PLATFORM TILT IS 0° TO 45°
- PLATFORM HEIGHT AND TILT ARE MANUALLY ADJUSTED
- (2) 4" X 1 1/4" POLYURETHANE SWIVEL CASTERS
- (2) 4" X 1 1/4" POLYURETHANE SWIVEL CASTERS W/ DOUBLE LOCKS
- TOUGH BAKED IN POWDER COATED BLUE FINISH

## SPECIAL FEATURES

NONE

<b>APPROVAL</b>	I, THE UNDERSIGNED, AGREE THAT THE PRODUCT AS REPRESENTED SATISFIES DESIGN AND DIMENSION REQUIREMENTS. I ALSO ACKNOWLEDGE MY DUTY TO CONFIRM PRODUCT AND INSTALLATION COMPLIANCE WITH ALL APPLICABLE FEDERAL, STATE AND LOCAL REGULATIONS AND STANDARDS.	
	<b>UNITS REQUIRING APPROVAL DRAWINGS OR MODIFIED ARE NON-RETURNABLE</b>	
	[ ] As drawn [ ] As marked	
	Signed: _____	Date: _____
Printed Name: _____		
<i>LEAD TIME WILL START UPON RECEIPT OF SIGNED APPROVAL DRAWING</i>		

DISTRIBUTOR'S NAME:		P.O.#
VESTIL MANUFACTURING		X
DRAWN BY: DEY		W.O.#
DATE: 04/04/2012		X
REFERENCE: X	SCALE: 1:14	SALES: X
QUOTED LEAD TIME: X	QUOTE #	FILE NAME:
	X	33-007-061