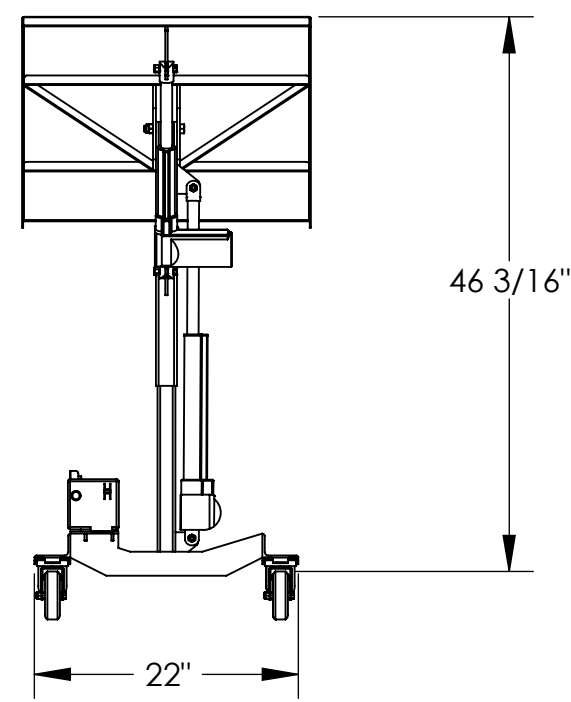
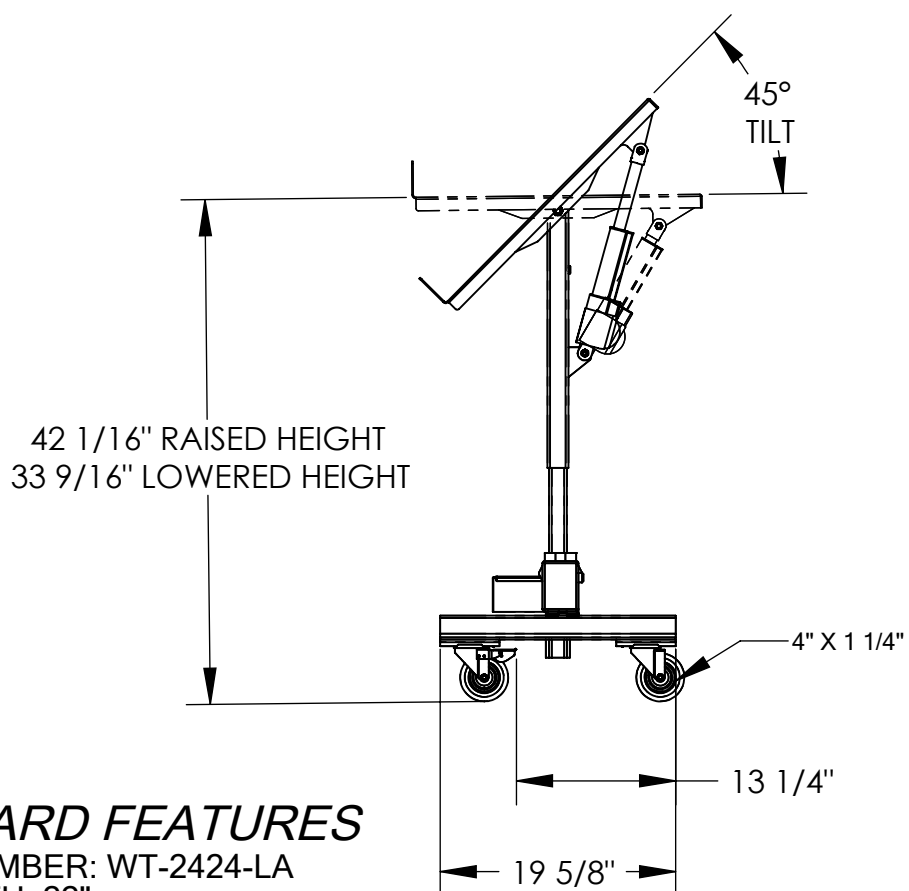


LINEAR ACTUATED MOBILE TILTING WORK TABLE - WT-2424-LA

APPROX WEIGHT: 110.67 lbs.
 DOES NOT INCLUDE WEIGHT OF POWER OR PACKAGING!!!

*** ANY ADDITIONS, DELETIONS, OR OMISSIONS MUST BE CORRECTED ON THIS DRAWING AS THIS DRAWING WILL BE CONSIDERED ALL INCLUSIVE ***
 ALL GRAPHICS PROVIDED ARE FOR REFERENCE ONLY. IF CERTAIN DIMENSIONS ARE CRITICAL PLEASE VERIFY THOSE DIMENSIONS WITH YOUR SALESPERSON



STANDARD FEATURES

- MODEL NUMBER: WT-2424-LA
- BASE WIDTH: 22"
- BASE LENGTH: 13 1/4"
- RAISED HEIGHT: 42 1/16"
- LOWERED HEIGHT: 33 9/16"
- CAPACITY: 300 LBS
- PLATFORM WIDTH: 24"
- PLATFORM LENGTH: 24"
- DEGREE OF TILT: 45°
- TWO SWIVEL 4" X 1 1/4" POLYURETHANE DOUBLE-LOCKING CASTERS (FRONT)
- TWO SWIVEL 4" X 1 1/4" POYURETHANE CASTERS (REAR)

SPECIAL FEATURES

NONE

NOTE: DEWERT FOUR BUTTON HAND CONTROL NOT SHOWN

PLEASE CIRCLE SPECIFICATIONS:

POWER	<input checked="" type="checkbox"/> AC	<input type="checkbox"/> DC (12V)	<input type="checkbox"/> AIR/OIL	
MOTOR VOLTAGE	<input checked="" type="checkbox"/> 115	<input type="checkbox"/> 208	<input type="checkbox"/> 230	<input type="checkbox"/> 460
DEDICATED CIRCUIT REQUIRED				
MOTOR PHASE	<input checked="" type="checkbox"/> SINGLE	<input type="checkbox"/> THREE		
CONTROL	<input checked="" type="checkbox"/> HAND	<input type="checkbox"/> FOOT		
* BATTERY CHRG.	<input type="checkbox"/> REMOTE	<input type="checkbox"/> ON-BOARD		
* CHRG. INDICATOR	<input type="checkbox"/> YES	<input type="checkbox"/> NO		

* AVAILABLE AT ADDITIONAL COST

DIMENSION TOLERANCE ± 1/4"

I, THE UNDERSIGNED, AGREE THAT THE PRODUCT AS REPRESENTED SATISFIES DESIGN AND DIMENSION REQUIREMENTS. I ALSO ACKNOWLEDGE MY DUTY TO CONFIRM PRODUCT AND INSTALLATION COMPLIANCE WITH ALL APPLICABLE FEDERAL, STATE AND LOCAL REGULATIONS AND STANDARDS.

UNITS REQUIRING APPROVAL DRAWINGS OR MODIFIED ARE NON-RETURNABLE

[] As drawn [] As marked

Signed: _____ Date: _____

Printed Name: _____

LEAD TIME WILL START UPON RECEIPT OF SIGNED APPROVAL DRAWING

DISTRIBUTOR'S NAME: _____ P.O.#

VESTIL MANUFACTURING W.O.#

DRAWN BY: DATE: XX/XX/XX SALES:

REFERENCE: SCALE: 1:16 FILE NAME: _____

QUOTED LEAD TIME: QUOTE # 16-007-022