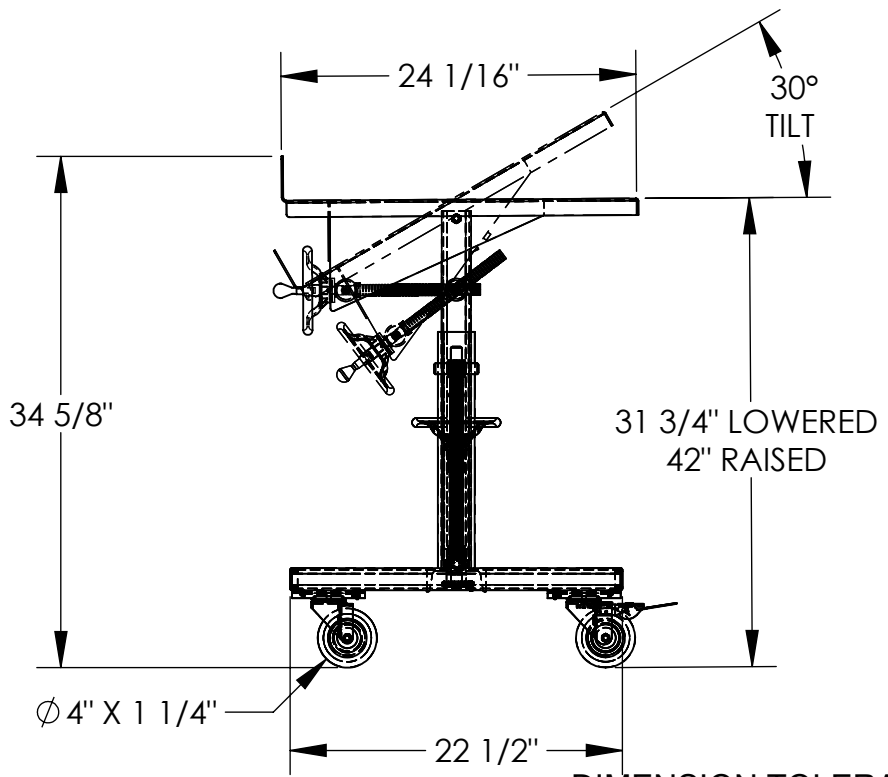
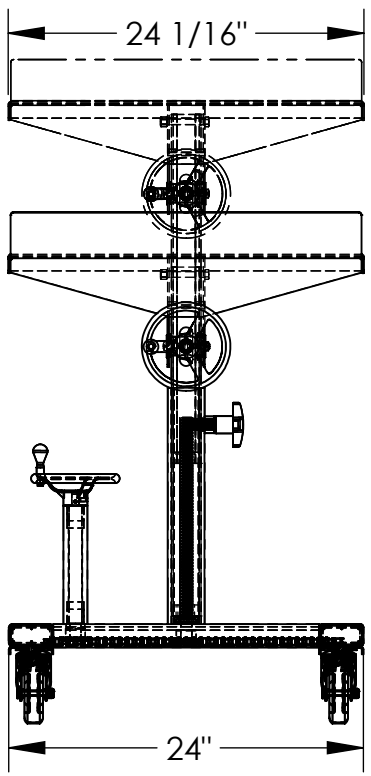


# MOBILE TILTING AND POSITIONING WORK TABLE - WT-2424

APPROX WEIGHT: 98.69 lbs.  
DOES NOT INCLUDE WEIGHT OF POWER OR PACKAGING!!!

\*\*\* ANY ADDITIONS, DELETIONS, OR OMISSIONS MUST BE CORRECTED ON THIS DRAWING AS THIS DRAWING WILL BE CONSIDERED ALL INCLUSIVE \*\*\*  
ALL GRAPHICS PROVIDED ARE FOR REFERENCE ONLY. IF CERTAIN DIMENSIONS ARE CRITICAL PLEASE VERIFY THOSE DIMENSIONS WITH YOUR SALESPERSON



DIMENSION TOLERANCE ± 1/4"

## STANDARD FEATURES

- MODEL NUMBER IS: WT-2424
- CAPACITY IS: 300 LBS
- OVERALL HEIGHT: 34 3/4"
- TABLE WIDTH IS: 24 1/16"
- TABLE LENGTH IS: 24 1/16"
- LOWERED TABLE HEIGHT: 34 5/8"
- RAISED TABLE HEIGHT: 42"
- BASE WIDTH: 24"
- BASE LENGTH: 22 1/2"
- 0° TO 30° TILT (CRANK WHEEL)
- TWO SWIVEL 4" X 1 1/4" POLYURETHANE LOCKING CASTERS (FRONT)
- TWO SWIVEL 4" X 1 1/4" POLYURETHANE CASTERS (REAR)
- TOUGH BAKED IN POWDER COATED BLUE BASE WITH TOUGH BAKED IN POWDER COATED SILVER TABLE

## SPECIAL FEATURES

NONE

**APPROVAL**

I, THE UNDERSIGNED, AGREE THAT THE PRODUCT AS REPRESENTED SATISFIES DESIGN AND DIMENSION REQUIREMENTS. I ALSO ACKNOWLEDGE MY DUTY TO CONFIRM PRODUCT AND INSTALLATION COMPLIANCE WITH ALL APPLICABLE FEDERAL, STATE AND LOCAL REGULATIONS AND STANDARDS.

**UNITS REQUIRING APPROVAL DRAWINGS OR MODIFIED ARE NON-RETURNABLE**

As drawn       As marked

Signed: \_\_\_\_\_ Date: \_\_\_\_\_

Printed Name: \_\_\_\_\_

LEAD TIME WILL START UPON RECEIPT OF SIGNED APPROVAL DRAWING

FOR INTERNAL USE ONLY PROJECT SIGN OFF	
SALES	
ENG.	
FAB.	
POWER	

DISTRIBUTOR'S NAME:		P.O.#
VESTIL MANUFACTURING		X
W.O.#		X
DRAWN BY: MB	DATE: 01/06/08	SALES: X
REFERENCE: X	SCALE: 1:10	FILE NAME:
QUOTED LEAD TIME: X	QUOTE # X	16-007-021