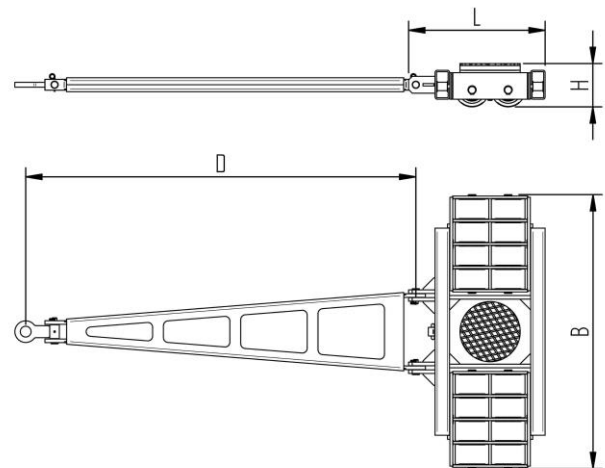


# Fact sheet **ECO-Skate** XN40L

Load moving system, steerable, 3-load points

# HTS



## Specification:

Heavy-duty load moving system for the professional indoor heavy load transport on clean, smooth and level floors, incl. pulling bar with grab handle or pulling eye, turntable with anti slip rubber pad and high-quality HTS nylon wheels, which are abrasion-resistant and non-marking and suitable for all smooth and level floors. In combination with an S or DUO skate system or, if applicable, two ROTO skates with the same installation height it forms a secure overall system with 3 load points.

## Technical data of load moving system:

# 10 400 03 10	Ø 250 mm	12,0 x 79 = 948 mm <sup>2</sup> ▼ 26,4 MPa
MAT NY, 80 Shore D	L x B x H 567 x 1138 x 180 mm	151,7 cm <sup>2</sup>
40000 daN	D = 1620 mm	1000 daN*
# 16	182 kg	800 daN*

## Equipped with the following wheel:

# 11 140 10 25	12,0 x 79 = 948 mm <sup>2</sup> ▼ 26,4 MPa
MAT NY, 80 Shore D	2500 daN
Ø140x85 - Ø30 mm	V <sub>max</sub> = 2 km/h



**Please always observe the operating instructions, their safety instructions and local conditions!**

# Part No.	# Number of wheels	Load Area in mm	Area mm <sup>2</sup> of the roller surface pressure ▼ N / mm <sup>2</sup>	Traction* in daN, required force to move the load at a steady speed of 2 km/h under ideal conditions
MAT Wheel material layer, core: AL Aluminium, NY Nylon PU Polyurethane, ST Steel	Dimensions of wheel, inside ball bearing diameter mm	Dimensions in mm L x B x H	Loaded area per skate in cm <sup>2</sup>	
Carrying Capacity of load moving skate in daN at 2km/h max.	Weight kg	Steering bar length D for L, adjustability V for S and DUO skate systems	Starting resistance* in daN, required force to start moving, under ideal conditions	* Varies depending on the tolerances of the floor and ambient situation. All information without guarantee.