

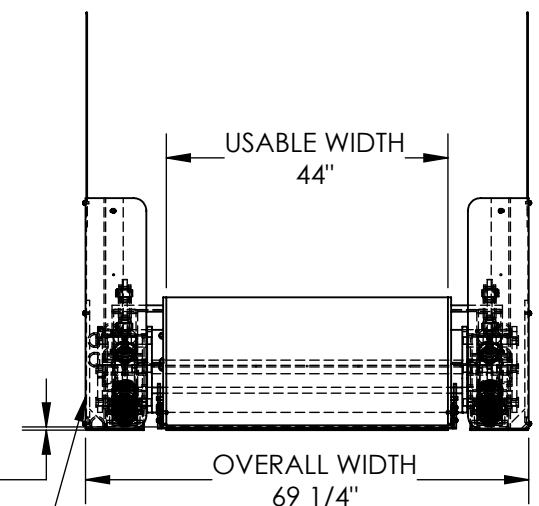
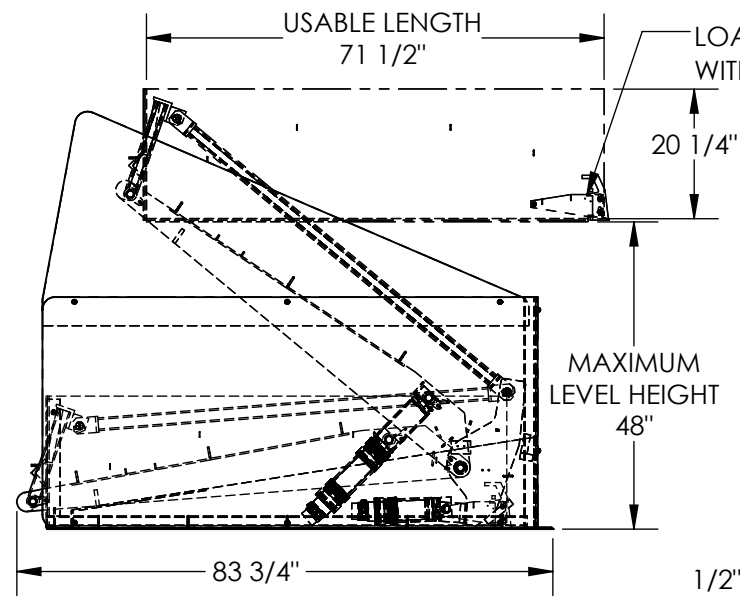
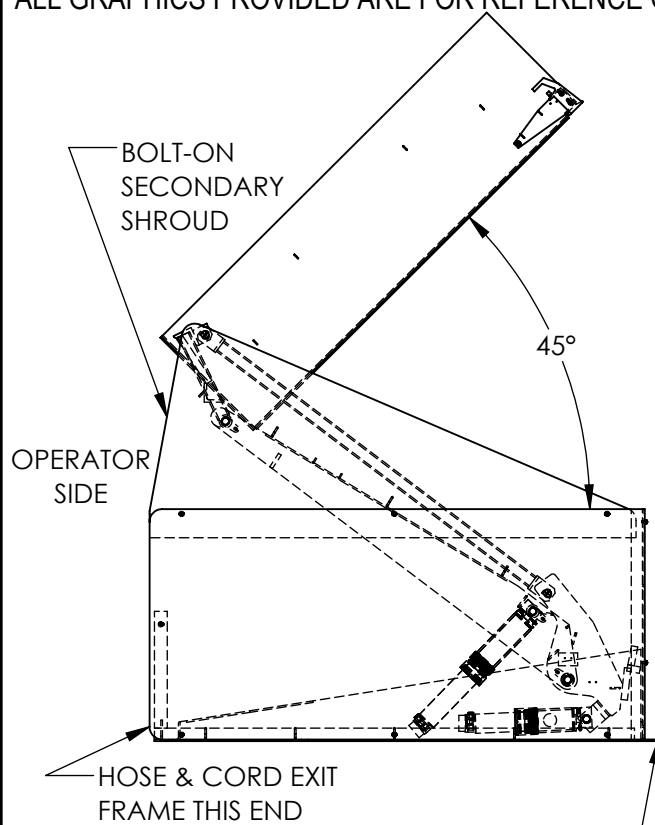
ZERO LIFT & TILT TABLE - ZLTT-4472-4-48

APPROX WEIGHT: 2651 lbs.
 DOES NOT INCLUDE WEIGHT OF POWER OR PACKAGING!!!

*** ANY ADDITIONS, DELETIONS, OR OMISSIONS MUST BE CORRECTED ON THIS DRAWING AS THIS DRAWING WILL BE CONSIDERED ALL INCLUSIVE ***

ALL GRAPHICS PROVIDED ARE FOR REFERENCE ONLY. IF CERTAIN DIMENSIONS ARE CRITICAL PLEASE VERIFY THOSE DIMENSIONS WITH YOUR SALESPERSON

DECK TOLERANCES $\pm 1/2"$
 TABLE HEIGHT TOLERANCES $\pm 1/2"$
 DECK FLATNESS $\pm 1/4"$



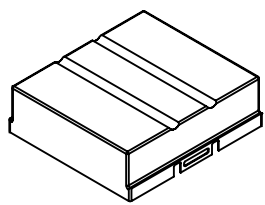
SAFETY SHROUD COVERS PINCH POINTS

(4) ANCHORING LOCATIONS ON FRAME

STANDARD FEATURES

- MODEL NUMBER IS ZLTT-4472-4-48
- USABLE WIDTH IS 44"
- USABLE LENGTH IS 71 1/2"
- CAPACITY IS 4,000 LBS (EVENLY DISTRIBUTED)
- LOWERED HEIGHT IS 1/2"
- MAXIMUM LEVEL HEIGHT IS 48"
- MAXIMUM TILT ANGLE IS 45°
- OVERALL WIDTH IS 69 1/4"
- OVERALL LENGTH IS 83 3/4"
- CONTROL IS HANDHELD, 4 BUTTON, NEMA 4
- PENDANT WITH MINIMUM 8' USABLE COIL CORD
- DURABLE LIQUID PAINT BLUE FINISH
- EXTERNAL POWER UNIT

REMOTE POWER UNIT
 24 1/2" x 22 1/2" x 7 1/2" (L x W x H)
 WITH 8' HOSE & CABLE



APPROVAL

I, THE UNDERSIGNED, AGREE THAT THE PRODUCT AS REPRESENTED SATISFIES DESIGN AND DIMENSION REQUIREMENTS. I ALSO ACKNOWLEDGE MY DUTY TO CONFIRM PRODUCT AND INSTALLATION COMPLIANCE WITH ALL APPLICABLE FEDERAL, STATE AND LOCAL REGULATIONS AND STANDARDS.

UNITS REQUIRING APPROVAL DRAWINGS OR MODIFIED ARE NON-RETURNABLE

[] As drawn [] As marked

Signed: _____ Date: _____

Printed Name: _____

LEAD TIME WILL START UPON RECEIPT OF SIGNED APPROVAL DRAWING

PLEASE CIRCLE SPECIFICATIONS:

| | | | |
|---------------------------------|------------------------------------------|-------------------------------------------|-----------------------------------------|
| POWER | <input checked="" type="checkbox"/> AC | <input type="checkbox"/> DC (12V) | <input type="checkbox"/> AIR/OIL |
| MOTOR VOLTAGE | <input type="checkbox"/> 115 | <input type="checkbox"/> 208 | <input checked="" type="checkbox"/> 230 |
| DEDICATED CIRCUIT REQUIRED 60Hz | | | |
| MOTOR PHASE | <input type="checkbox"/> SINGLE | <input checked="" type="checkbox"/> THREE | |
| CONTROL | <input checked="" type="checkbox"/> HAND | <input type="checkbox"/> FOOT | |

| | | |
|----------------------|-------------|----------------|
| DISTRIBUTOR'S NAME: | | P.O.# |
| VESTIL MANUFACTURING | | X |
| DRAWN BY: KGH | | W.O.# |
| DATE: 1/22/2019 | | X |
| REFERENCE: X | SCALE: 1:30 | SALES: X |
| QUOTED LEAD TIME: X | QUOTE # X | FILE NAME: |
| | | 04-007-033-001 |

SPECIAL FEATURES

NONE