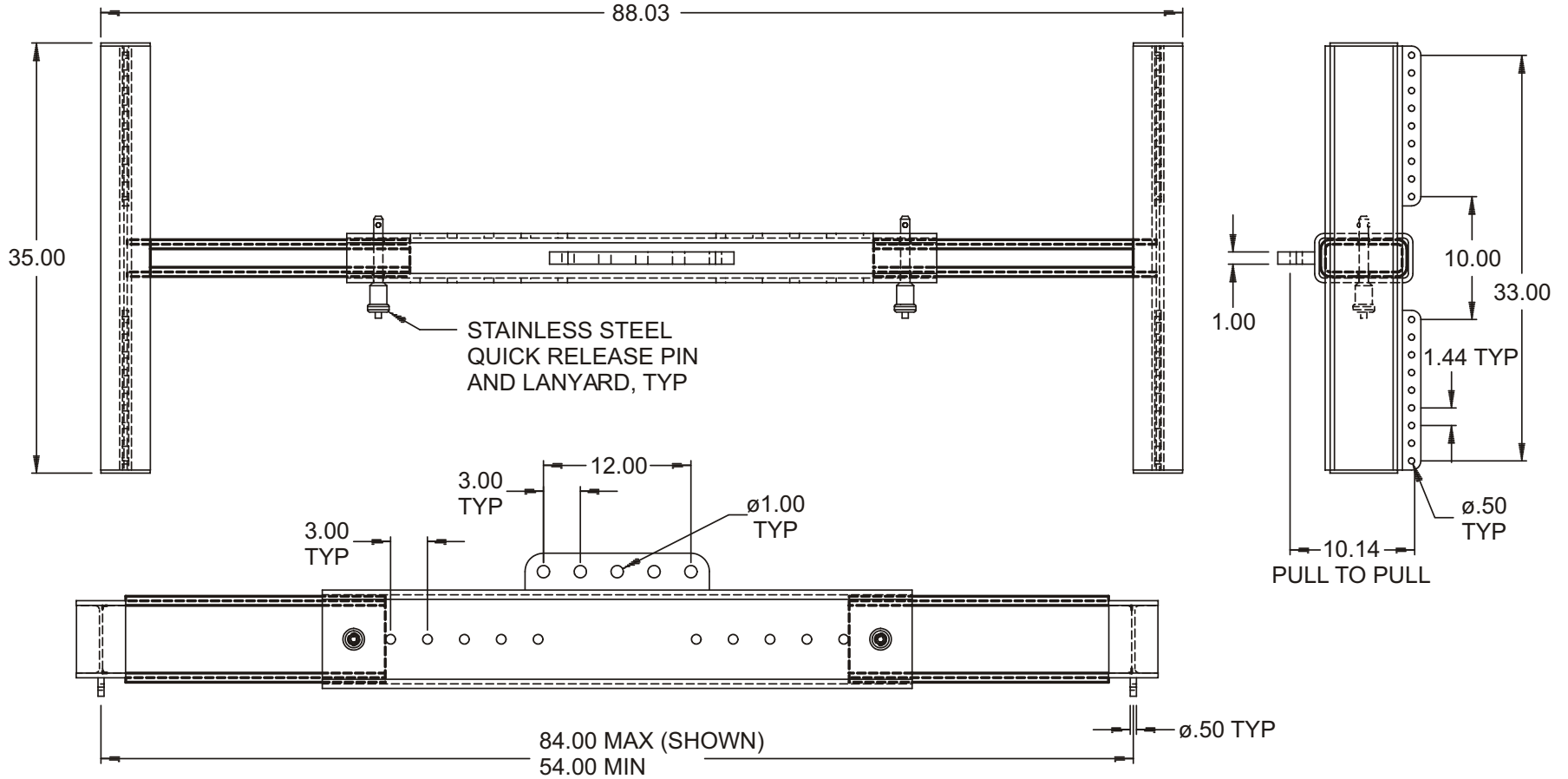


"H" STYLE ADJUSTABLE LIFT BEAM, 3 TON, 54"-84" X 30"-48" (AA60000A-1PA)

Cage Code: 65059 | Drawing No: SAA60000A | Revision: -- | Sheet: 1 of 1

UNLESS OTHERWISE SPECIFIED, DIMENSIONS ARE IN INCHES
SEE ELECTRONIC PARTS LIST FOR BILL OF MATERIALS



NOTES:

1. P/N: AA60000A-1PA, FOUR POINT ADJUSTABLE SPREADER
2. WLL: 6000 LB.
3. PROOF TESTED AND CERTIFIED TO 125% (7500 LB)
4. FINISH: SANDBLAST, PRIME AND PAINT SAFETY YELLOW
5. CALCULATED WEIGHT: 325 LB

DANGER: Never Exceed WLL (Working Load Limit)

This document contains data which is either patented, patent pending or is the property of Tandemloc, Inc.

Disclosure, or copying without the written authorization of Tandemloc, Inc. is expressly prohibited. © Copyright 2010 by Tandemloc, Inc.

Dimensions are subject to manufacturing tolerance and change.



Email: info@tandemloc.com • www.tandemloc.com
 PO Box 279 • 824 Highway 101 • Havelock, NC 28532-0279
 TEL: 1.800.258.7324 (252.447.7155)
 FAX: 1.800.892.3273 (252.447.5502)

Tandemloc designs, manufactures and tests lifting, securing and mobilizing components for all industries. See our website for details and important safety information.

Tandemloc is a member of:

