



PORTABLE DAVIT CRANE

COMMANDER[®] 500



thern.com
(507) 454-2996

COMMANDER® 5PT5

PORTABLE DAVIT CRANE



HEAVY-DUTY FEATURES in a Light-Duty Package

The 5PT5 Commander 500 portable davit crane (up to 650 pounds) is packed with features, giving it the same versatility and flexibility of its larger cousins. It is designed to lift, lower, and rotate loads 360 degrees, easily and smoothly. Easy disassembly and reassembly with quick-release hardware and pins maximize portability. A variety of base options, manual or power operation, and telescoping boom with adjustable boom angles make it perfect for water/wastewater, manufacturing, marine, construction, and oil and gas applications.

360° Rotation & Flexible Operation

- Heavy-duty Nylatron® bushing at base enhances smooth, 360-degree rotation under load for precise load placement. Optional rotation lock maintains load position for easier unloading
- Innovative rotation handle design does not interfere with boom angle adjustment for easier operation
- Telescoping boom and adjustable boom angles allow for precise reach and height positioning
- Choose from manual, drill-drive, or powered winch (electric, pneumatic, or hydraulic motors) operation to accommodate a variety of light or heavy loads and speeds. DC motors and various voltage AC motors available



Product Shown:
5PT5-E2

Enhanced Portability

- Disassembles and reassembles easily, using quick-release hardware and pins for quick transport to storage or bases at other work sites—no tools required
- Move your crane to another location while keeping the wire rope attached to the load using the quick-disconnect feature. Insert the swaged-ball end of the wire rope into the keyhole slot on the tab of the pedestal base or into an optional wire rope keeper or cable spool

STANDARD CONFIGURATIONS

Series	IMPERIAL/METRIC	
	Description	Up To Capacity
5PT5G-M1	Galvanized crane with M4022PB-K spur gear hand winch	650 lbs / 294 kg
5PT5-M2	Powder-coat crane with 4WM2-K worm gear hand winch	650 lbs / 294 kg
5PT5G-M2	Galvanized crane with 4WM2-K worm gear hand winch	650 lbs / 294 kg
5PT5S-M3	Stainless-steel crane with M4042PBSS-K spur gear hand winch	650 lbs / 294 kg
5PT5-E2	Powder-coat crane with 4WP2-K electric winch	650 lbs / 294 kg
5PT5S-E2X	Stainless-steel crane with gray-epoxy 4WP2EGRA-K electric winch	650 lbs / 294 kg

Flexible Configurations

- A variety of base and mounting options, including pedestal, flush and wall-mount, as well as wheel-base, help meet unique lifting needs
- A quick-mount winch bracket (no tools required) accommodates several Thern winches. Fits any three convenient/ergonomic positions on the mast via quick-connect pins
- Base extension provides additional height without affecting the crane's load rating. Ideal in wall- or flush-mount situations to maintain crane height for obstacle clearance or other needs when 15 inches (381 mm) of additional height is required

Durable Construction & Finish

- Heavy-duty, welded structural steel pipe and tubing limit deflection and meet/exceed ASTM standards
- Corrosion-resistant, powder-coated frame, mast cap, and stainless-steel fasteners resist the elements for long service life
- Galvanized, epoxy, and 304 or 316 stainless steel finishes are available for corrosive environments

NOTICE: These products are not for lifting people or things over people.

Refer to technical pages for detailed performance information.

TECHNICAL DRAWINGS & SPECIFICATIONS

COMMANDER® 500

PORTABLE DAVIT CRANE

CONFIGURATIONS

Model	Description	Approx. Ship Wt.	
		(lb)	(kg)
Popular Configurations			
5PT5-M1	up to 650 lb capacity with M4022PB-K spur gear hand winch—powder-coat crane	102	46
5PT5G-M1	up to 650 lb capacity with M4022PB-K spur gear hand winch—galvanized crane	102	46
5PT5-M2	up to 650 lb capacity with 4WM2-K worm gear hand winch—powder-coat crane	123	56
5PT5G-M2	up to 650 lb capacity with 4WM2-K worm gear hand winch—galvanized crane	123	56
5PT5S-M3	up to 650 lb capacity with M4042PBSS-K spur gear hand winch—stainless-steel crane	110	50
5PT5-E2	up to 650 lb capacity with 4WP2-K electric winch—powder-coat crane	158	72
Crane Only			
5PT5	up to 650 lb capacity—base model—powder-coat finish	86	39
5PT5G	up to 650 lb capacity—base model—galvanized finish	86	39
5PT5S	up to 650 lb capacity—base model—304 stainless-steel finish	86	39
5PT5S316	up to 650 lb capacity—base model—316 stainless-steel finish	86	39
5PT5X	up to 650 lb capacity—base model—epoxy-gray finish	86	39
Winch Only			
M1	M4022PB-K—spur gear hand winch only—black defender coating	16	7
M2	4WM2-K—worm gear hand winch only—powder coat	37	17
M2X	4WM2EGRA-K—worm gear hand winch only—epoxy gray	37	17
M3	M4042PBSS-K—spur gear hand winch only—stainless steel	24	11
E2	4WP2-K electric winch—115/1/60 VAC with 6 ft pendant control—enamel	72	33
E2X	4WP2EGRA-K electric winch—115/1/60 VAC with 6 ft pendant control—epoxy gray	72	33
E4	4777-K electric winch—115/1/60 VAC with 6 ft pendant control—enamel	96	44
E4X	4777EGRA-K electric winch—115/1/60 VAC with 6 ft pendant control—epoxy gray	96	44
E4DC	4777DC-K electric winch—12 volt DC with 10 ft pendant control—enamel	114	52
E4DCX	4777DCEGRA-K electric winch—12 volt DC with 10 ft pendant control—epoxy gray	114	52

Independent Bases—sold separately

Pedestal, socket (flush-mount), or wall-mount style.

Wheel base for floor crane operation. Base includes stationary front wheels and rear locking caster wheels for 360° maneuverability. See Model 5BR5.

IMPORTANT: Base installation is the customer's responsibility. Thern recommends consulting a civil engineer or other qualified professional. Contact Thern for installation guidelines.



Finish	Pedestal	Flush	Wall	Wheel	Extension
Powder Coat Paint	5BP5	5BF5	5BW5	5BR5	5BE5-15
Galvanized	5BP5G	5BF5G	5BW5G	—	5BE5-15G
304 Stainless Steel	5BP5S	5BF5S	5BW5S	—	5BE5-15S
316 Stainless Steel	5BP5S316	5BF5S316	5BW5S316	—	5BE5-15S316
Epoxy Paint	5BP5X	5BF5X	5BW5X	5BR5X	5BE5-15X
Approximate Ship Weight	21 lbs (9.5 kg)	21 lbs (9.5 kg)	23 lbs (10.4 kg)	77 lbs (35 kg)	17 lbs (7.7 kg)

Wire Rope Assemblies—sold separately

Galvanized or stainless steel wire rope assemblies with swivel hook and latch complete with swaged-ball fitting to work with the quick-disconnect anchor on the winch. See wire rope page for stainless steel and additional wire rope options.

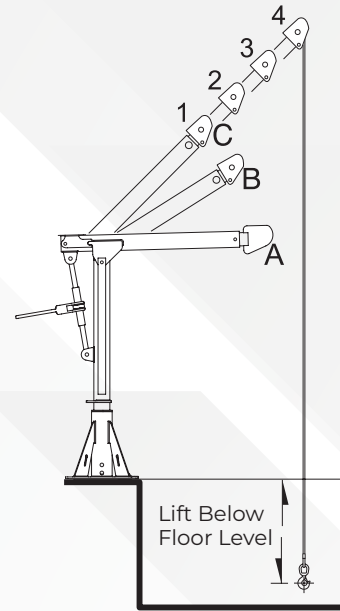
Wire Rope Length		Galvanized Aircraft Cable		304 Stainless Steel Wire Rope	
		3/16" Dia. (4.8 mm)	1/4" Dia. (6.4 mm)	3/16" Dia. (4.8 mm)	1/4" Dia. (6.4 mm)
(ft)	(m)	Model No.	Model No.	Model No.	Model No.
20	6.0	WA19-20NS	WA25-20NS	WS19-20NS	WS25-20NS
28	8.5	WA19-28NS	WA25-28NS	WS19-28NS	WS25-28NS
36	10.9	WA19-36NS	WA25-36NS	WS19-36NS	WS25-36NS
45	13.7	WA19-45NS	WA25-45NS	WS19-45NS	WS25-45NS
60	18.2	WA19-60NS	WA25-60NS	WS19-60NS	WS25-60NS
75	22.8	WA19-75NS	WA25-75NS	WS19-75NS	WS25-75NS
90	27.4	WA19-90NS	WA25-90NS	WS19-90NS	WS25-90NS



PERFORMANCE

Commander 500 Lift Below Floor² Level

Lift Below Floor ¹		Wire Rope Diameter		Wire Rope ³ Length		Winch Configurations Maximum Winch Rating											
Minimum (C4) Maximum (C1)						M1		M2		M3		E2		E4			
(ft)	(m)	(ft)	(m)	(in)	(mm)	(ft)	(m)	(lbs)	(kg)	(lbs)	(kg)	(lbs)	(kg)	(lbs)	(kg)		
2	0.6	7	2.1	3/16"	5	20	6.0	650	294	-	-	650	294	-	-	650	294
10	3.0	15	4.5	3/16"	5	28	8.5	650	294	-	-	650	294	-	-	650	294
18	5.4	23	7.0	3/16"	5	36	10.9	650	294	-	-	650	294	-	-	650	294
27	8.2	32	9.7	3/16"	5	45	13.7	650	294	-	-	650	294	-	-	650	294
42	12.8	47	14.3	3/16"	5	60	18.2	-	-	-	-	650	294	-	-	650	294
57	17.3	62	18.8	3/16"	5	75	22.8	-	-	-	-	650	294	-	-	650	294
72	21.9	77	23.4	3/16"	5	90	27.4	-	-	-	-	640	290	-	-	650	294
102	31.0	107	32.6	3/16"	5	120	36.5	-	-	-	-	-	-	-	-	650	294
2	0.6	7	2.1	1/4"	6	20	6.0	-	-	650	294	650	294	650	294	650	294
10	3.0	15	4.5	1/4"	6	28	8.5	-	-	650	294	650	294	650	294	650	294
18	5.4	23	7.0	1/4"	6	36	10.9	-	-	650	294	650	294	650	294	650	294
27	8.2	32	9.7	1/4"	6	45	13.7	-	-	650	294	650	294	650	294	650	294
42	12.8	47	14.3	1/4"	6	60	18.2	-	-	650	294	600	272	650	294	650	294
57	17.3	62	18.8	1/4"	6	75	22.8	-	-	650	294	-	-	650	294	650	294
72	21.9	77	23.4	1/4"	6	90	27.4	-	-	-	-	-	-	-	-	650	294
102	31.0	107	32.6	1/4"	6	120	36.5	-	-	-	-	-	-	-	-	-	-



¹Lift below floor level varies depending on boom position and base configuration. For longer lifts, please contact factory.

²Performance characteristics are for standard products referred to in this manual. Non-standard products may vary from the original design. Contact Thern, Inc. for this information.

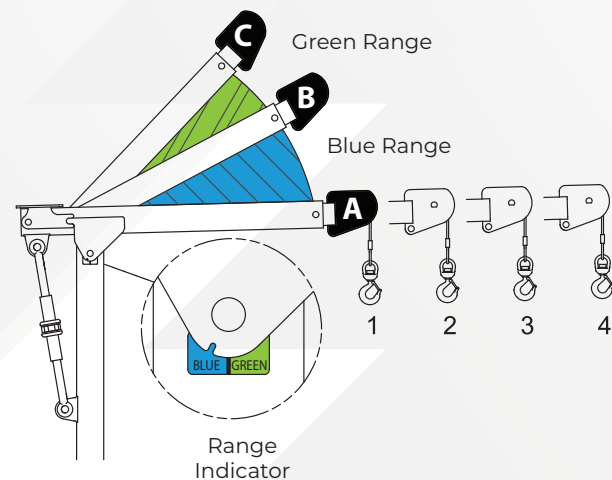
³Wire rope assemblies include a hook and a swaged-ball fitting to work with quick-disconnect anchor on winches, and 316SS wire rope is also available. Please contact the factory.

Winch Configurations



Commander 500 Performance Ratings²

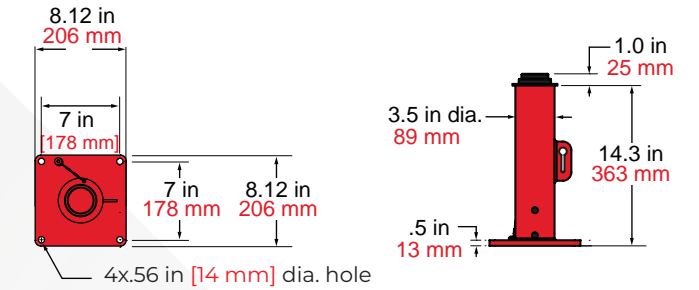
Boom Position	Load Rating	
	(lb)	(kg)
A-1	550	250
A-2	425	190
A-3	350	160
A-4	300	135
B-1	650	300
B-2	525	235
B-3	425	190
B-4	350	160
C-1	650	300
C-2	525	235
C-3	425	190
C-4	350	160



Commander 500 with Pedestal Base Reach & Height Above Floor

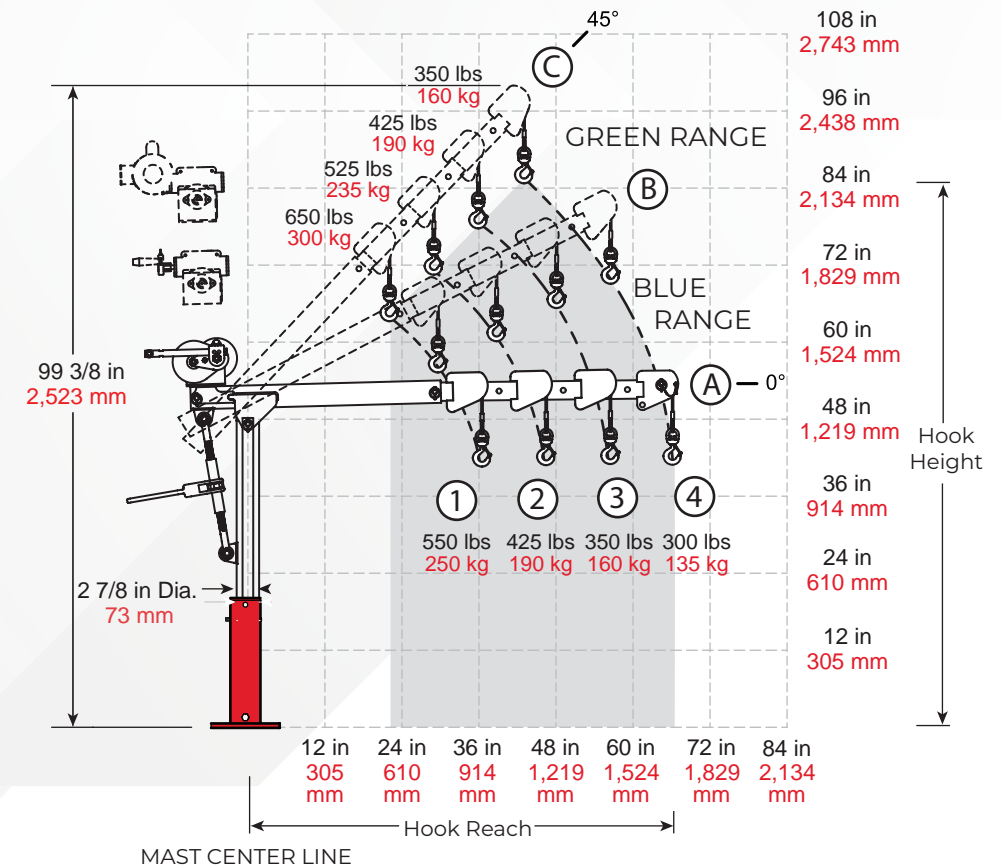
Boom Position	Hook Reach		Hook Height	
	(in)	(mm)	(in)	(mm)
A-1	36	914	42	1,066
A-2	46	1,168	42	1,066
A-3	56	1,422	42	1,066
A-4	66	1,676	42	1,066
B-1	29	736	56	1,422
B-2	38	965	60	1,524
B-3	47	1,193	65	1,651
B-4	56	1,422	69	1,752
C-1	23	584	64	1,625
C-2	30	762	71	1,803
C-3	37	940	78	1,981
C-4	44	1,117	85	2,159

Dimensions are for reference only and subject to change without notice.



Commander 500 Pedestal Base

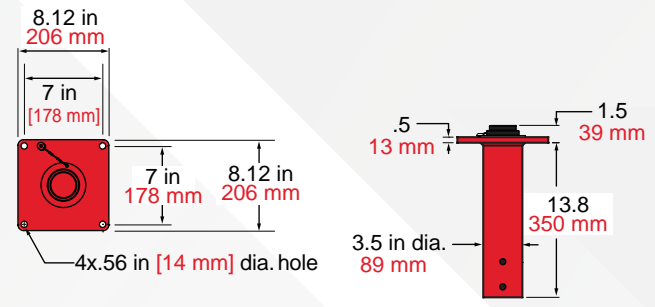
5BP5 5BP5G 5BP5S 5BP5S316 5BP5X



Commander 500 with Flush- or Wall-Mount Base Reach & Height Above Floor

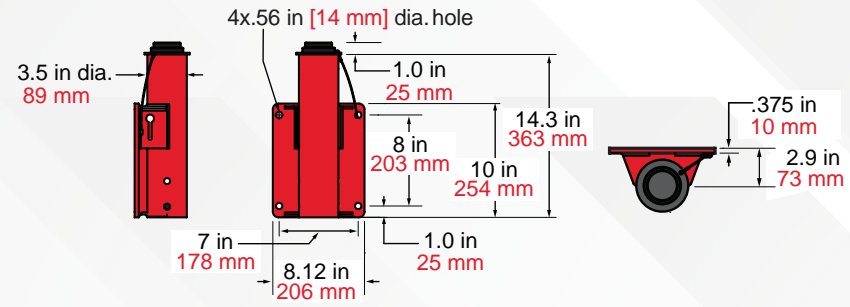
Boom Position	Hook Reach		Hook Height	
	(in)	(mm)	(in)	(mm)
A-1	36	914	28	711
A-2	46	1,168	28	711
A-3	56	1,422	28	711
A-4	66	1,676	28	711
B-1	30	762	42	1,066
B-2	38	965	46	1,168
B-3	46	1,168	51	1,295
B-4	54	1,371	55	1,397
C-1	23	584	50	1,270
C-2	29	736	57	1,447
C-3	36	914	63	1,600
C-4	42	1,066	70	1,778

Dimensions are for reference only and subject to change without notice.



Commander 500 Flush-Mount Base

- 5BF5 5BF5G
- 5BF5S 5BF5S316
- 5BF5X



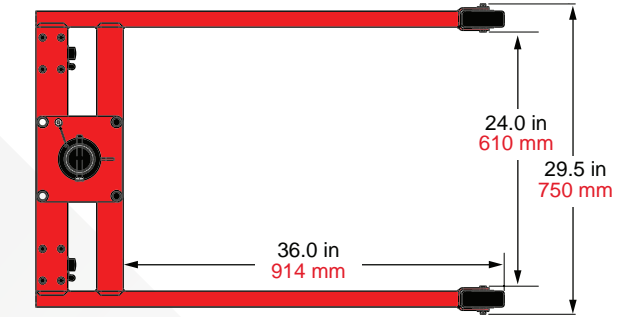
Commander 500 Wall-Mount Base

- 5BW5 5BW5G
- 5BW5S 5BW5S316
- 5BW5X

Commander 500 with Wheel Base Reach & Height Above Floor

Boom Position	Hook Reach		Hook Height	
	(in)	(mm)	(in)	(mm)
A-1	36	914	46	1,168
A-2	46	1,168	46	1,168
B-1	30	762	60	1,524
B-2	38	965	64	1,625
C-1	23	584	68	1,727
C-2	29	736	75	1,905

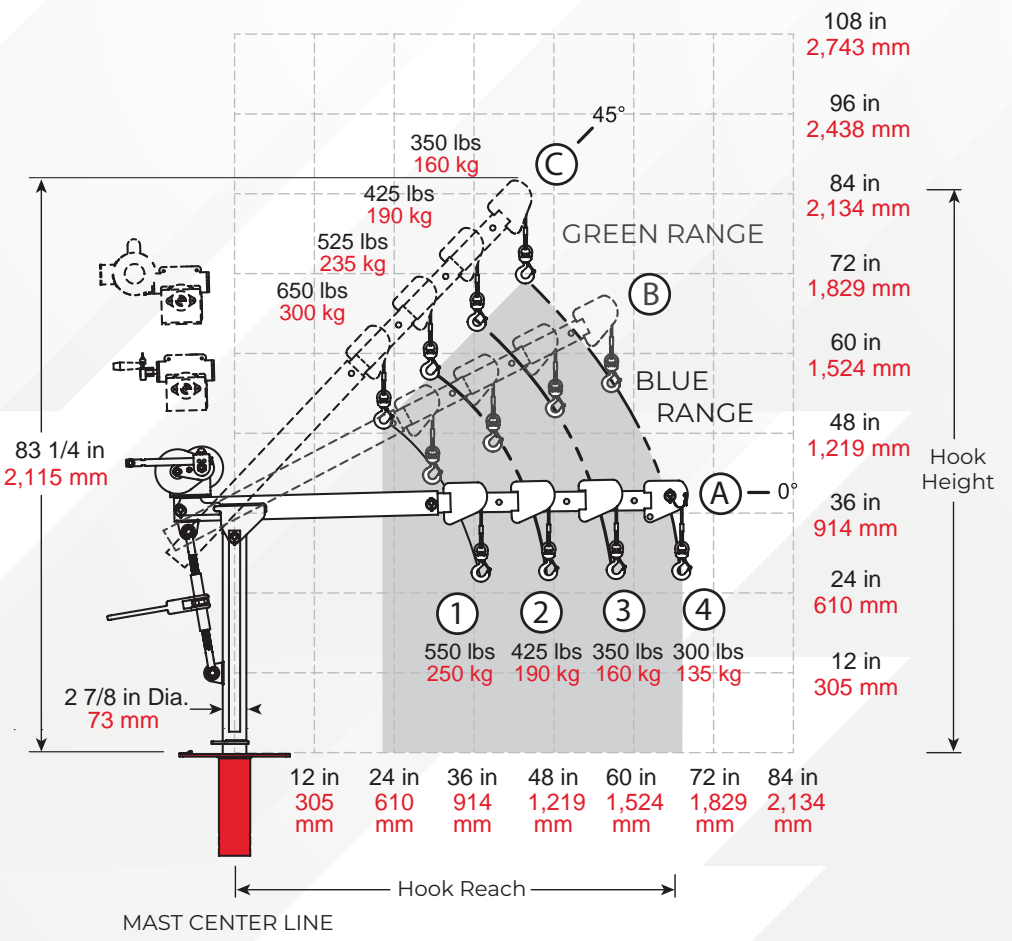
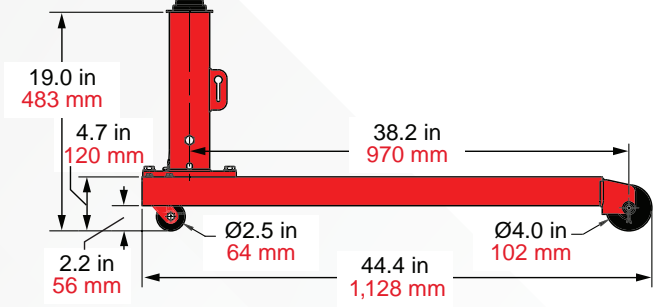
Dimensions are for reference only and subject to change without notice.



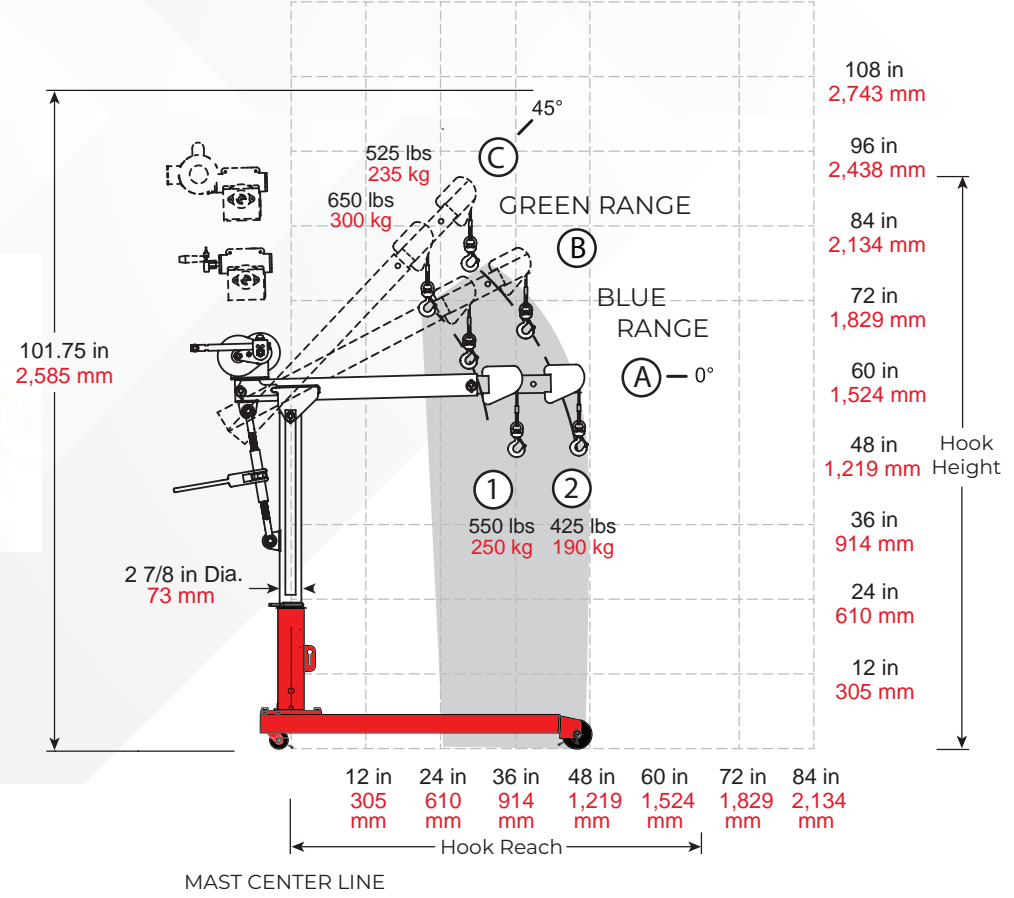
Commander 500 Wheel Base Load Ratings

Boom Position	Load Rating	
	(lb)	(kg)
1	SEE LOAD RATING ON CRANE	
2	SEE LOAD RATING ON CRANE	
3	DO NOT USE	
4	DO NOT USE	

Dimensions are for reference only and subject to change without notice.



IMPORTANT: Crane DOES NOT rotate when assembled in 5BR wheel base.



CRANE

OPTIONS & ACCESSORIES



Base Anchor Kit	
Model	Description
AN50A-5	(4) Hilti® zinc-plated steel fasteners 1/2" X 5.50" STL (5PA5, 5PF5, and 5PT5 cranes)
AN50A-5S	(4) Hilti® 304 stainless-steel fasteners 1/2" X 5.50" SST304 (5PA5, 5PF5, and 5PT5 cranes)
AN50A-5S316	(4) Hilti® 316 stainless-steel fasteners 1/2" X 5.50" SST316 (5PA5, 5PF5, and 5PT5 cranes)
AN62A-6	(4) Hilti® zinc-plated steel fasteners 5/8" X 6.00" STL (5PA10, 5PT10, 5PT20, and 5FT20 cranes)
AN62A-6S	(4) Hilti® 304 stainless-steel fasteners 5/8" X 6.00" SST304 (5PA10, 5PT10, 5PT20, and 5FT20 cranes)
AN62A-6S316	(4) Hilti® 316 stainless-steel fasteners 5/8" X 6.00" SST316 (5PA10, 5PT10, 5PT20, and 5FT20 cranes)

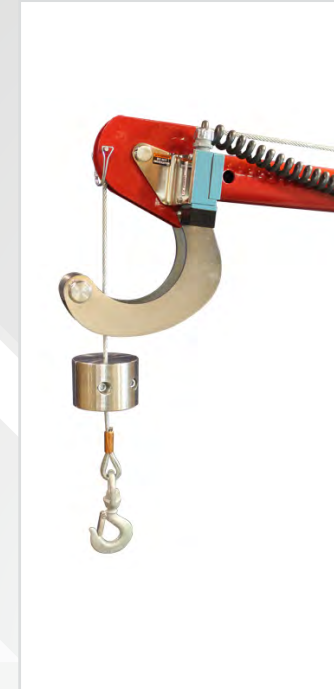
Rotational Lock	
Model	Description
5P5LCK	For pedestal, wall, and flush-mount bases, 316 stainless steel—available for use 5PA5, 5PF5, and 5PT5

Cable Spooler	
Model	Description
RW50	316 stainless-steel reel winds up wire rope when detached from crane

Wire Rope Keeper	
Model	Description
RK19-25S	304 Stainless-steel bracket holds free end of the wire rope when detached from the crane
RK19-25S316	316 Stainless-steel bracket holds free end of the wire rope when detached from the crane

Roller Ball Bearing for 5PT10 Series Crane	
Model	Description
5PT10BRG	Red electrostatic, powder-coat paint finish
5PT10BRG-S	304 stainless-steel, electro-polished finish for added protection against corrosion
5PT10BRG-S316	Stainless-steel, electro-polished finish for maximum protection against corrosion
5PT10BRG-SS	304 stainless steel, for use with stainless-steel base only
5PT10BRG-SS316	316 stainless steel, for use with stainless-steel base only

Roller Ball Bearing for 5PT20 Series Crane	
Model	Description
5PT20BRG	Red electrostatic, powder-coat paint finish
5PT20BRG-S	304 stainless-steel, electro-polished finish for added protection against corrosion
5PT20BRG-S316	Stainless-steel, electro-polished finish for maximum protection against corrosion
5PT20BRG-SS	304 stainless steel, for use with stainless-steel base only
5PT20BRG-SS316	316 stainless steel, for use with stainless-steel base only



Limit Switch Ready Winch Options	
Model	Description
NOTE: Limit switch winch option requires purchase of Limit Switch and Headache Ball (sold separately)	
For 5PF5, 5PA5, 5PA10, 5PT5, 5PT10, 5PT20 Series Cranes (sold separately)	
E2L (5PA5, 5PA10)	4WP2V-KL electric winch – 115/1/60 VAC with 6 ft pendant control – enamel
E2LX (5PA5, 5PA10)	4WP2VEGRA-KL electric winch – 115/1/60 VAC with 6 ft pendant control – epoxy gray
E4L	4777-KL electric winch – 115/1/60 VAC with 6 ft pendant control – enamel
E4LX	4777EGRA-KL electric winch – 115/1/60 VAC with 6 ft pendant control – epoxy gray
E4DCL	4777DC-KL electric winch – 12 volt DC with 10 ft pendant control – enamel
E4DCLX	4777DCEGRA-KL electric winch – 12 volt DC with 10 ft pendant control – epoxy gray
For 5FT20 Series Crane Only (sold separately)	
E2L	4WP2-KL electric winch – 115/1/60 VAC with 6 ft pendant control – enamel
E2LX	4WP2EGRA-KL electric winch – 115/1/60 VAC with 6 ft pendant control – epoxy gray
E4L	4771-KL electric winch – 115/1/60 VAC with 6 ft pendant control – enamel finish
E4LX	4771EGRA-KL electric winch – 115/1/60 VAC with 6 ft pendant control – gray-epoxy finish
E4DCL	E4DCL 4771DC-KL electric winch – 12 volt DC with 10 ft pendant control – enamel finish
E4DCLX	4771DCEGRA-KL electric winch – 12 volt DC with 10 ft pendant control – gray-epoxy finish
For 5PT30, 5FT25, 5FT40 Series Crane Only (sold separately)	
E2L	3WG4B-KL electric winch - 115/1/160 VAC with 6 ft pendant control – enamel finish
E2LX	3WG4BEGRA-KL electric winch - 115/1/160 VAC with 6 ft pendant control – epoxy gray finish
E2TL	3WG4BMT-K electric winch - 115/1/160 VAC with 6 ft pendant control – enamel finish (Unavailable for use with 5FT40)
E2TLX	3WG4MTX-KL electric winch - 115/1/160 VAC with 6 ft pendant control – epoxy gray finish

Drill Drive Kit	
Model	Description
ED330-DW11	120 VAC, 11-amp, 330 rpm drill motor to power drive the hand winch. Only available for cranes configured with the M2 winch option. Includes 1-1/8" hex drive socket
ED300-DW06	Cordless drill kit, 60 V brushless motor, 300 rpm drill motor to power drive the M2 hand winch option. Includes 1-1/8" hex drive socket
ED400-DW09	Heavy-duty cordless drill kit, 60 V brushless motor, 400 rpm drill motor to power drive the M2 hand winch option. Includes 1-1/8" hex drive socket

Headache Ball	
Model	Description
HB10-12-25	Red enamel painted 10 lb fits 1/8" to 1/4" rope
HB10-25-38	Red enamel painted 10 lb fits 1/4" to 3/8" rope
HB10S-12-25	Stainless-steel 10 lb fits 1/8" to 1/4" rope
HB10S-25-38	Stainless-steel 10 lb fits 1/4" to 3/8" rope
HB10S-44-50	Stainless-steel 10 lb fits 7/16" to 1/2" rope

Base Extension	
Model	Description
5BE5-15	Available on 5PF5, 5PT5, 5PT10, and 5PT20 with powder-coat, galvanized, 304 & 316 stainless-steel, and epoxy finishes
5BE10-15	
5BE20-15	





MADE IN USA 

Thern, Incorporated

World Headquarters
5712 Industrial Park Road Winona, MN USA
Toll Free: 1-800-843-7648
Phone: 1-507-454-2996
www.thern.com

Thern Europe

Bedrijvenpark Twente 454e
7602 KM Almelo The Netherlands
Phone: +31-546-898-380
europa@thern.com