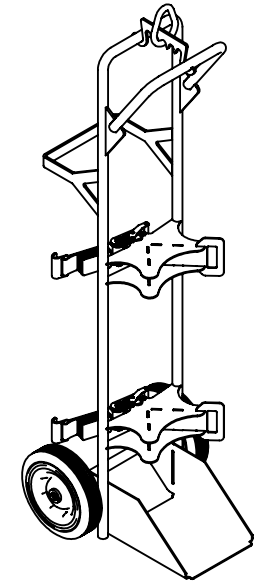
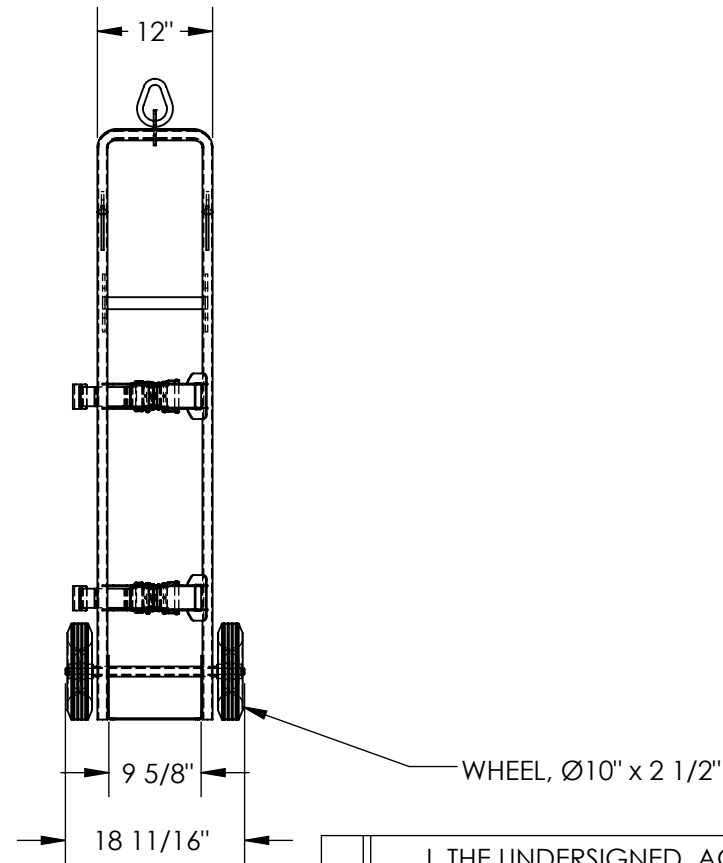
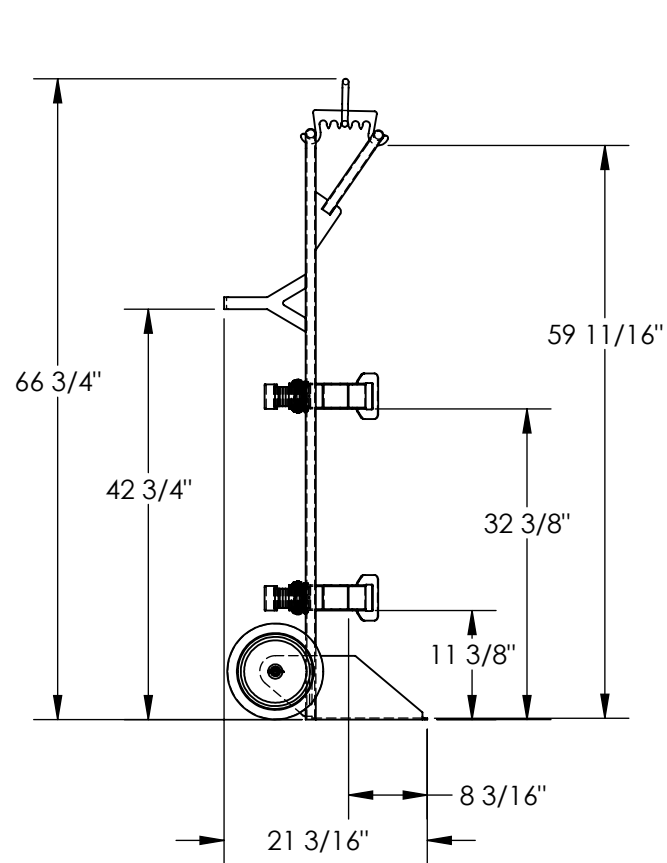


OVERHEAD CYLINDER LIFTER - CYHT-OL-9-150

APPROX WEIGHT: 71.53 lbs.
DOES NOT INCLUDE WEIGHT OF POWER OR PACKAGING!!!

*** ANY ADDITIONS, DELETIONS, OR OMISSIONS MUST BE CORRECTED ON THIS DRAWING AS THIS DRAWING WILL BE CONSIDERED ALL INCLUSIVE ***
ALL GRAPHICS PROVIDED ARE FOR REFERENCE ONLY. IF CERTAIN DIMENSIONS ARE CRITICAL PLEASE VERIFY THOSE DIMENSIONS WITH YOUR SALESPERSON



DIMENSION TOLERANCE ± 1/4"

STANDARD FEATURES

- MODEL NUMBER IS CYHT-OL-9-150
- OVERALL WIDTH IS 18 11/16"
- USABLE WIDTH IS 9 5/8"
- OVERALL LENGTH IS 21 3/16"
- USABLE LENGTH IS 8 3/16"
- OVERALL HEIGHT IS 66 3/4"
- USABLE HEIGHT IS 59 11/16"
- MAX CAPACITY IS 150 LBS
- HARD RUBBER TIRE SIZE IS Ø10" X 2 1/2"
- TOUGH BAKED IN POWDER COATED BLUE FINISH

SPECIAL FEATURES

NONE

APPROVAL

I, THE UNDERSIGNED, AGREE THAT THE PRODUCT AS REPRESENTED SATISFIES DESIGN AND DIMENSION REQUIREMENTS. I ALSO ACKNOWLEDGE MY DUTY TO CONFIRM PRODUCT AND INSTALLATION COMPLIANCE WITH ALL APPLICABLE FEDERAL, STATE AND LOCAL REGULATIONS AND STANDARDS.
UNITS REQUIRING APPROVAL DRAWINGS OR MODIFIED ARE NON-RETURNABLE
[] As drawn [] As marked

Signed: _____ Date: _____

Printed Name: _____

LEAD TIME WILL START UPON RECEIPT OF SIGNED APPROVAL DRAWING

DISTRIBUTOR'S NAME:		P.O.#
VESTIL MANUFACTURING		X
DRAWN BY: THW		DATE: 06/27/19
REFERENCE: X		SCALE: 1:20
QUOTED LEAD TIME: X		QUOTE # X
		SALES: X
		FILE NAME: 40-007-116