



Vestil Manufacturing Corp.
 2999 North Wayne Street, P.O. Box 507, Angola, IN 46703
 Telephone: (260) 665-7586 -or- Toll Free (800) 348-0868
 Fax: (260) 665-1339
 Web: www.vestilmfg.com e-mail: info@vestil.com

CYHT-OL-9-150



Receiving Instructions

After delivery, remove the packaging from the product. Inspect the product closely to determine whether it sustained damage during transport. If damage is discovered, record a complete description of it on the bill of lading. If the product is undamaged, discard the packaging.

NOTE: The end-user is solely responsible for confirming that product design, use, and maintenance comply with laws, regulations, codes, and mandatory standards applied where the product is used.

Technical Service & Replacement Parts

For answers to questions not addressed in these instructions and to order replacement parts, labels, and accessories, call our Technical Service and Parts Department at (260) 665-7586. The Department can also be contacted online at <https://www.vestil.com/page-parts-request.php>.

Electronic Copies of Instruction Manuals

Additional copies of this instruction manual may be downloaded from <https://www.vestil.com/page-manuals.php>.

Table of Contents

	Page
Specifications.....	2
Signal Words.....	2
National Standards.....	3
Safety Instructions.....	3
Exploded View and Bill of Materials.....	4
Using the Cart as a BTH Lifter.....	4 - 5
Using the Cart as a Hand Truck.....	5
Record of Satisfactory Condition.....	5
Load Tests.....	5
Inspections & Maintenance.....	5 - 6
Labeling Diagram.....	6
Limited Warranty.....	7

SPECIFICATIONS

Specifications for CYHT-OL-9-150 cylinder carts are provided on Vestil's website. To access the specifications document, navigate to this webpage: <https://www.vestil.com/product.php?FID=1431>. Click the "Specifications" tab. Scroll the page to the entry for the model you purchased, and click the button in the PDF column that looks like a pencil inside a blue box. A PDF file will open. This file is the specifications document. Print a copy of the document and keep it with your copy of this manual. The following is an exemplar specifications document (40-007-116).

OVERHEAD CYLINDER LIFTER - CYHT-OL-9-150

*** ANY ADDITIONS, DELETIONS, OR OMISSIONS MUST BE CORRECTED ON THIS DRAWING AS THIS DRAWING WILL BE CONSIDERED ALL INCLUSIVE ***
ALL GRAPHICS PROVIDED ARE FOR REFERENCE ONLY. IF CERTAIN DIMENSIONS ARE CRITICAL PLEASE VERIFY THOSE DIMENSIONS WITH YOUR SALESPERSON

APPROX WEIGHT: 71.53 lbs.
DOES NOT INCLUDE WEIGHT OF POWER OR PACKAGING!!!

DIMENSION TOLERANCE ± 1/4"

STANDARD FEATURES

MODEL NUMBER IS CYHT-OL-9-150
 OVERALL WIDTH IS 18 11/16"
 USABLE WIDTH IS 9 5/8"
 OVERALL LENGTH IS 21 3/16"
 USABLE LENGTH IS 8 3/16"
 OVERALL HEIGHT IS 66 3/4"
 USABLE HEIGHT IS 59 11/16"
 MAX CAPACITY IS 150 LBS
 HARD RUBBER TIRE SIZE IS Ø10" X 2 1/2"
 TOUGH BAKED IN POWDER COATED BLUE FINISH

SPECIAL FEATURES

NONE

I, THE UNDERSIGNED, AGREE THAT THE PRODUCT AS REPRESENTED SATISFIES DESIGN AND DIMENSION REQUIREMENTS. I ALSO ACKNOWLEDGE MY DUTY TO CONFIRM PRODUCT AND INSTALLATION COMPLIANCE WITH ALL APPLICABLE FEDERAL, STATE AND LOCAL REGULATIONS AND STANDARDS.

ANY MODIFIED UNITS ARE NON-RETURNABLE

[] As drawn [] As marked

Signed: _____ Date: _____

Printed Name: _____

LEAD TIME WILL START UPON RECEIPT OF SIGNED APPROVAL DRAWING

FOR INTERNAL USE ONLY PROJECT SIGN OFF	DISTRIBUTOR'S NAME: VESTIL MANUFACTURING	P.O.# X
SALES	DRAWN BY:	W.O.# X
ENG.	DATE:	SALES: X
FAB.	REFERENCE: X	SCALE: 1:20
POWER	QUOTED LEAD TIME: X	QUOTE # X
		FILE NAME: 40-007-116

SIGNAL WORDS

This manual uses SIGNAL WORDS to direct your attention to important safety-related messages. These messages describe uses of the product that could result in personal injury or property damage. Each signal word corresponds to a specific hazard level.



Identifies a hazardous situation which, if not avoided, WILL result in DEATH or SERIOUS INJURY. Use of this signal word is limited to the most extreme situations.



Identifies a hazardous situation which, if not avoided, COULD result in DEATH or SERIOUS INJURY.



Indicates a hazardous situation which, if not avoided, COULD result in MINOR or MODERATE injury.



Identifies practices likely to result in product/property damage, such as operation that might damage the product.

NATIONAL STANDARDS

This product can be used as a “Below-the-Hook Lifting Device” (BTH lifters) by attaching the lifting bale to a hoist. [ASME standard B30.20](#) (the “Standard”) applies to BTH lifters. Acquire a copy of the latest version of the Standard. Follow all use and maintenance/care instructions provided in the Standard as well as all other provisions for BTH owners and users. If content in this manual is inconsistent with any recommendation or provision in the Standard, follow the Standard. Vestil requests that all such inconsistencies be immediately reported. Contact a member of Vestil’s [Technical Service](#) department to make a report.

SAFETY INSTRUCTIONS

Vestil strives to identify all foreseeable hazards associated with the use of its products. Material handling is dangerous and no manual can address every conceivable risk. Ultimately, the most effective way to prevent injury is to apply sound judgment whenever using this device.

WARNING

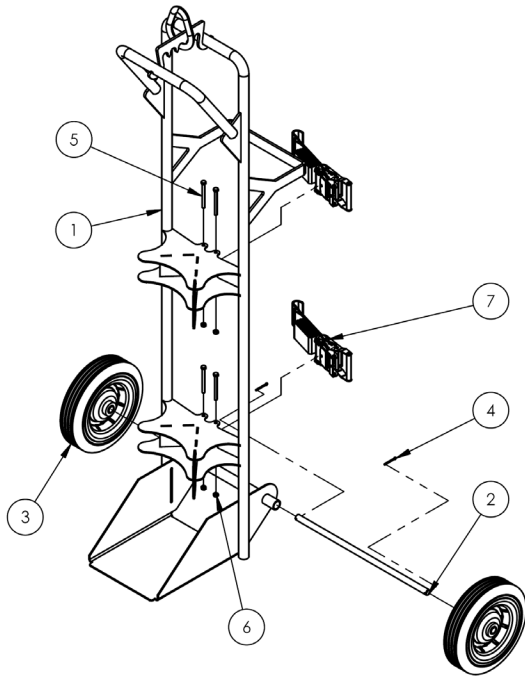
Risk of serious personal injury or death. Read and understand the entire manual before assembling, using, or servicing the cylinder lifter. Read the manual whenever necessary to refresh your understanding of use, inspection, or maintenance instructions.

- DO NOT modify the product in any way UNLESS you first obtain written approval from Vestil. Unapproved modifications automatically void the [LIMITED WARRANTY](#) and might make the product unsafe to use.
- DO NOT remove or obscure labels applied to the unit. DO NOT use this device UNLESS all labeling applied to the lifter is readable and undamaged. See [LABELING DIAGRAM](#) on p. 6.
- DO inspect the product before each use.
- DO NOT use this lifter if it is damaged, malfunctioning, or missing parts.
- This lifting device must only be used by designated persons and lifting device inspectors. Maintenance and test personnel should only use this device when necessary to perform their duties.
- DO NOT exceed the capacity: 150 pounds (68.1 kg). Capacity information is provided on the product. See Tag 993 in the [LABELING DIAGRAM](#) on p. 6.
- DO lift only a properly-sized gas cylinder: 9” (22.8cm) diameter or smaller. Secure the cylinder with both ratchet straps. Follow loading instructions in [USING THE CART AS A BTH LIFTER](#) on p. 4 - 5. Straps must lay flat against the side of the cylinder—no kinks, twists, knots, etc.
- DO Center the hoist above the lifting bale to minimize swing as the lifter rises off of the ground. DO NOT side load the hoist.
- DO carefully eliminate slack in the hoist line before raising the lifter. Lift and lower the lifter slowly and steadily. Avoid sudden starts or stops while lifting or lowering the lifter.
- DO NOT lift loads any higher than necessary. Keep the suspended lifter as close to the ground as possible while moving it. Avoid obstructions while moving the lifter.
- DO stay clear of the lifter and load while the lifter is suspended. Keep the lifter in sight at all times while it is elevated. The lifter could swing or spin while elevated.
- DO NOT lift people or lift suspended loads over people.
- DO NOT leave the lifter unattended while it is suspended. Land the lifter and unload it before leaving.
- DO NOT ride on the lifter.
- DO inspect the product according to the instructions in [INSPECTIONS & MAINTENANCE](#) on p. 5 – 6. DO NOT use the product unless it is in [SATISFACTORY CONDITION](#). Acquire a copy of ASME B30.20 and apply all inspection and maintenance recommendations.
- DO NOT use this device UNLESS all product labels are readable and undamaged. See [LABELING DIAGRAM](#).

NOTICE

- Proper use, maintenance, and storage are essential for this product to function properly.
- Always use this product in accordance with the instructions in this manual and consistent with any training relevant to machines, devices, etc. used in conjunction with this product, e.g. hoists.
 - Keep the product clean & dry. Lubricate moving parts.

EXPLODED VIEW AND BILL OF MATERIALS (40-006-116)



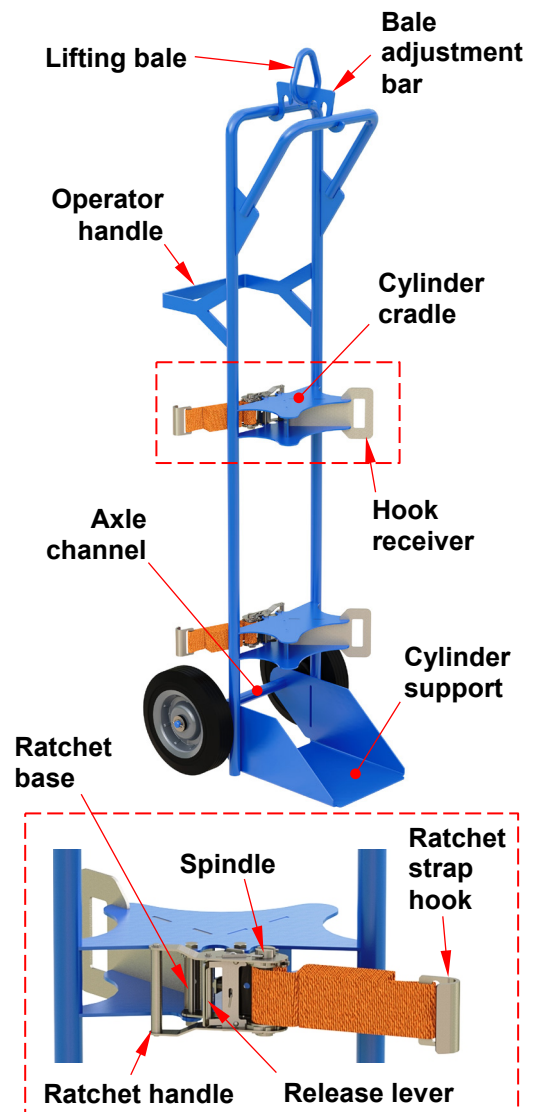
ITEM NO.	PART NO.	DESCRIPTION	QTY.
1	40-514-118	FRAME WELDMENT	1
2	16-112-031	AXLE ROD	1
3	16-132-310	WHEEL, 10" X 2 1/2", 16MM STEEL HUB	2
4	65078	EXTENDED PRONG COTTER PIN, ZINC FINISH, 1/8" X 1 1/2"	2
5	11015	HEX BOLT, GRADE A, ZINC PLATED, 1/4"-20 X 3"	4
6	37018	NYLON LOCK NUT, GRADE 2, ZINC FINISH, 1/4" - 20	4
7	16-145-018	2" X 36" STRAP WITH RATCHET	2

USING THE CART AS A BTH LIFTER

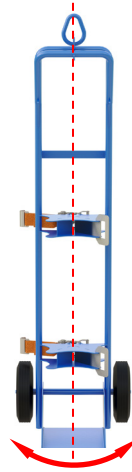
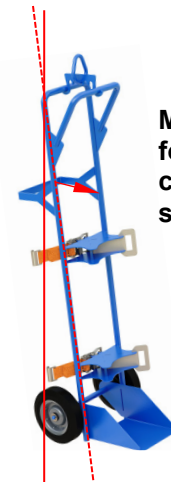
NOTE: Numbers in parenthesis () correspond to item numbers in the **EXPLODED VIEW** (above).

Move a cylinder onto the cylinder support.

1. Move only 1 cylinder onto the cylinder support. A cylinder must be tall enough to seat into both cylinder cradles. The cart can accommodate a cylinder up to 9" (22.8cm) in diameter.
2. Locate the ratchet straps (7). There is 1 strap for each cylinder cradle.
 - A. Release the ratchet to extend the straps. To release the ratchet:
 - i. Pull the release lever up (toward the handle).
 - ii. While holding up the release lever, pivot the handle as far from the ratchet base as it will travel (approximately 180 degrees).
 - iii. Pull the strap to unwind it from the spindle.
 - B. Secure the cylinder with both straps.
 - i. Wrap each strap around the outside of the cylinder.
 - ii. Attach the ratchet strap hook to the hook receiver. Feed the end of each hook through a hook receiver.
 - iii. Pull the release lever up. Move the (ratchet) handle back towards the base and let go of the release lever.
 - iv. Move the handle back-and-forth to tighten the strap against the cylinders. The strap must firmly press the cylinder against the back of the corresponding cradle. The cylinder should not be able to move when the strap is tightened.
3. Attach a hoist hook to the lifting bale. Make sure that the hoist is centered above the bale. If the hoist is not properly centered, the lifter will swing when it lifts off of the ground. Avoid load swing!



4. Slowly make the hoist chain/cable taut. Once the chain/cable is taut, slowly and carefully raise the lifter a few inches above the ground.
5. Only raise the lifter as high as necessary. The lifter should slightly lean back when it is suspended, i.e. the bottom of the cylinder should be forward of the top of the cylinder. Return the lifter to the ground and reposition the bale, if necessary.
6. Carefully move the loaded lifter with the hoist. Keep the lifter in sight at all times. Do not leave the lifter while it is suspended. Always land the lifter and disconnect it from the hoist before leaving it.
7. Remove the cylinder by releasing the ratchet straps. Refer to Step 2A (above).

Center hoist
above baleCart will swing if
hoist not centeredMove bale
forward until
cart leans back
slightly

Vertical

USING THE CART AS A HAND TRUCK

This product can also be used as a hand truck. Load a cylinder onto the cylinder support. Follow steps 1 and 2 on p. 4 to secure the cylinder on the cart. Grasp the operator handle. Brace a foot against the axle channel. Pull the handle toward you to lift the cylinder support off of the ground. Push the cart to the destination. Generally, a loaded cart should only be used on even, level ground. Do not traverse sloped ground unless you are able to easily control the cart. Always remain upslope to the loaded cart.

RECORD OF SATISFACTORY CONDITION (THE "RECORD")

Before the unit enters service, make a detailed record of its condition. Include observations about all features. Thoroughly photograph the unit from multiple angles so that all features are clearly imaged. Include close range photographs of the bale, bale adjustment bar, cylinder cradles, ratchets and straps, wheels, the cylinder support, and all fasteners (pins, bolts, nuts, etc.). Photograph all labels applied to the product. Describe where each label is located. Collect all photographs and writings in a single file. This file is a record of the product in satisfactory condition. Compare the results of each inspection to this *RECORD* to determine if the unit is in satisfactory condition. Do not use the cart unless it is in satisfactory condition

LOAD TESTS

After creating a [RECORD OF SATISFACTORY CONDITION](#) and before using the lifter for the first time, a qualified person should conduct a load test. The test load should be 125% of the rated load (capacity) of the lifter. The rated load is 125 pounds (56.8kg), so the test load should be 156.3 pounds (71.0kg). Raise the lifter until it is suspended. Return the lifter to the ground and unload it. Perform a [Monthly Inspection](#) as described in [INSPECTIONS AND MAINTENANCE](#) (below). The lifter must undergo load testing immediately after it is repaired, modified, or altered.

INSPECTIONS AND MAINTENANCE

Inspection procedures are included in the most current revision of ASME B30.20. As stated above in the [NATIONAL STANDARDS](#) section, Vestil recommends that you acquire a copy of the most recent revision of this standard. Apply all relevant use & maintenance/care instructions in the standard. Vestil also recommends that you contact your local occupational safety and health authority to determine if any laws, regulations, codes, ordinances, etc. apply inspection requirements to below-the-hook lifters.

Inspections and repairs should only be performed by qualified persons. Compare each inspection to the [RECORD OF SATISFACTORY CONDITION](#). Do not use the lifter unless all parts are in satisfactory condition. Replace all parts that are not in satisfactory condition before returning the lifter to service.

DON'T GUESS! If you have any questions about the condition of your lifter, contact the TECHNICAL SERVICE department. The phone number is provided on the cover page of this manual. Never make temporary repairs of damaged or missing parts. Only use manufacturer-approved replacement parts to restore the lifter to satisfactory condition.

Every lift

The operator of the lifter must inspect the lifter and cylinder surfaces before every lift. Check the lifter and all cylinders for dirt or other surface debris. Clean the surfaces.

Monthly Inspections – At least once per month a qualified person must perform the following inspections. Written reports should be prepared for every monthly inspection including inspections following LOAD TESTS.

1. Surfaces – Check all surfaces of the product for dirt or other matter, especially fluids. Clean the surfaces of the stand.
2. Hardware, fasteners – Examine hardware & fasteners (axle pin, washers, cotter pins). Replace damaged/worn hardware.
3. Wheels and axle – Check each wheel and wheel hub for damage such as cracks, significant or uneven wear.
4. Frame – Examine the frame for wear, breaks, corrosion/rusting, metal fatigue, and other forms of damage, e.g. impact damage.
5. Ratchet assemblies and straps – Check the ratchets and ratchet straps. Confirm normal operation. Replace damaged straps and ratchets.
6. Bale and bale adjustment bar – Inspect the lifting bale. Confirm that the opening is not elongated, widened, cracked, or otherwise damaged. The adjustment bar should not be cracked, warped, etc.
7. Labels – Replace labels that are damaged or not easily readable from a reasonable distance.
8. Overall structure – Examine the whole structure for rusting or metal erosion, rot, thinned regions. In particular, examine the cylinder support and the axle pin channel, and. If rusting is purely superficial, remove the rust/corrosion. Clean the affected area and apply touchup paint. If rusting, rot, or thinning has weakened the material, contact TECHNICAL SERVICE for advice.

LABELING DIAGRAM

Label content and locations are subject to change so your product might not be labeled exactly as shown. Compare this diagram to the RECORD. If differences exist between the diagram and the RECORD, contact TECHNICAL SERVICE. Replace all labels that are damaged, missing, or not easily readable (e.g. faded). To order replacement labels, contact the technical service and parts department online at http://www.vestilmfg.com/parts_info.htm. Alternatively, you may request replacement parts and/or service by calling (260) 665-7586 and asking the operator to connect you to the TECHNICAL SERVICE AND PARTS DEPARTMENT.

LABEL 658

⚠️ WARNING	⚠️ ADVERTENCIA	⚠️ AVERTISSEMENT
Do not operate or move with unstable loads DO NOT LOAD beyond rated capacity DISTRIBUTE LOAD EVENLY DO NOT sit or ride	No use a mueva con cargas inestables No cargue más de la capacidad tasada DISTRIBUYA LA CARGA A NIVEL NO SE SIENTE o vaya en el carro	Ne pas utiliser avec une charge instable NE PAS CHARGER au-delà du dédit nominale DISTRIBUER la charge régulièrement NE PAS VOUS ASSÉOIR OU VOUS PROMENER sur le chariot



TAG 993 (obverse side)

Model No. _____	Serial No. _____
No. Modelo _____	No. Serie _____
Capacity _____ lbs.	Lifter Weight _____ lbs.
Capacidad _____ kgs.	Peso del Elevador _____ kgs.
BTH-1 Design Category: B BTH-1 Categoría de Diseño B	BTH-1 Service Category: 1 BTH-1 Categoría de Servicio: 1
Read Owners Manual for product safety warnings Lea Manual de Proprietarios para advertencias de seguridad de producto	

TAG 993 (reverse side)

⚠️ WARNING	⚠️ ADVERTENCIA
<ul style="list-style-type: none"> • DO NOT exceed rated capacity • DO NOT use if damaged, malfunctioning, or missing parts • DO NOT lift people OR lift loads over people • DO NOT raise load higher than necessary • DO NOT leave a suspended load unattended • DO NOT use lifter unless you read and understand the owner's manual • DO NOT alter OR modify lifter • DO NOT remove OR obscure any label • STAY CLEAR of suspended loads • Secure load before using this device 	<ul style="list-style-type: none"> • NO exceda la capacidad tasada • NO USE si las partes están dañadas, no funcionan correctamente o faltan partes. • NO eleve al personal o eleve cargas sobre el personal • NO eleve la carga más alto de lo necesario • NO deje desatendida una carga que este suspendida • NO use el elevador a no ser que haya leído y entendido las instrucciones del manual del propietario • NO altere o modifique el elevador • NO quite u oscurezca ninguna etiqueta • MANTENGASE alejado de las cargas suspendidas • Asegure la carga antes de usar este dispositivo

LIMITED WARRANTY



Vestil Manufacturing Corporation (“Vestil”) warrants this product to be free of defects in material and workmanship during the warranty period. Our warranty obligation is to provide a replacement for a defective, original part covered by the warranty after we receive a proper request from the Warrantee (you) for warranty service.

Who may request service?

Only a warrantee may request service. You are a warrantee if you purchased the product from Vestil or from an authorized distributor AND Vestil has been fully paid.

Definition of “original part”?

An original part is a part used to make the product as shipped to the Warrantee.

What is a “proper request”?

A request for warranty service is proper if Vestil receives: 1) a photocopy of the Customer Invoice that displays the shipping date; AND 2) a written request for warranty service including your name and phone number. Send requests by one of the following methods:

<u>US Mail</u>	<u>Fax</u>	<u>Email</u>
Vestil Manufacturing Corporation 2999 North Wayne Street, PO Box 507 Angola, IN 46703	(260) 665-1339 <u>Phone</u> (260) 665-7586	info@vestil.com Enter “Warranty service request” in subject field.

In the written request, list the parts believed to be defective and include the address where replacements should be delivered. After Vestil receives your request for warranty service, an authorized representative will contact you to determine whether your claim is covered by the warranty. Before providing warranty service, Vestil will require you to send the entire product, or just the defective part (or parts), to its facility in Angola, IN.

What is covered under the warranty?

The warranty covers defects in the following original, dynamic parts: motors, hydraulic pumps, motor controllers, and cylinders. It also covers defects in original parts that wear under normal usage conditions (“wearing parts”), such as bearings, hoses, wheels, seals, brushes, and batteries.

How long is the warranty period?

The warranty period for original dynamic components is 90 days. For wearing parts, the warranty period is 90 days. Both warranty periods begin on the date Vestil ships the product to the Warrantee. If the product was purchased from an authorized distributor, the periods begin when the distributor ships the product. Vestil may, at its sole discretion, extend a warranty period for products shipped from authorized distributors by up to 30 days to account for shipping time.

If a defective part is covered by the warranty, what will Vestil do to correct the problem?

Vestil will provide an appropriate replacement for any *covered* part. An authorized representative of Vestil will contact you to discuss your claim.

What is not covered by the warranty?

The Warrantee (you) are responsible for paying labor costs and freight costs to return the product to Vestil for warranty service.

Events that automatically void this Limited Warranty.

- Misuse;
- Negligent assembly, installation, operation or repair;
- Installation/use in corrosive environments;
- Inadequate or improper maintenance;
- Damage sustained during shipping;
- Collisions or other accidents that damage the product;
- Unauthorized modifications: Do not modify the product IN ANY WAY without first receiving written authorization from Vestil.

Do any other warranties apply to the product?

Vestil Manufacturing Corp. makes no other express warranties. All implied warranties are disclaimed to the extent allowed by law. Any implied warranty not disclaimed is limited in scope to the terms of this Limited Warranty. Vestil makes no warranty or representation that this product complies with any state or local design, performance, or safety code or standard. Noncompliance with any such code or standard is not a defect in material or workmanship.